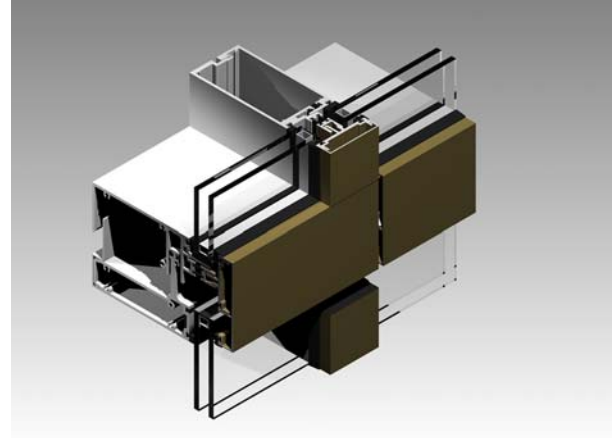
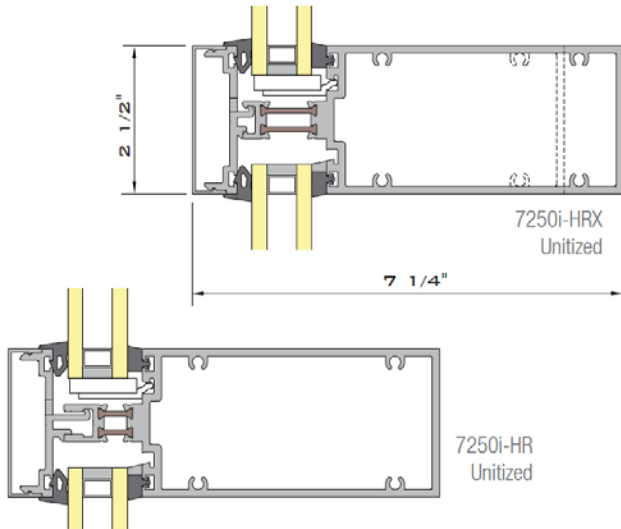


## Curtainwall and Window Wall 6250i- 7250- HR and HRX INvision™ Thermal Unitized



### Features

- ✓ 6-1/4", 6-1/2" and 7-1/4" frame depth with polyamide thermal barrier
- ✓ Narrow 2 1/2" mullion sight lines
- ✓ Transitions seamlessly from curtainwall to window wall
- ✓ Pressure-equalized rain screen design
- ✓ 15 psf static and dynamic water resistance
- ✓ Low U-Factors allow broad expanses of vision glass to meet Model Energy Codes
- ✓ Interlocking frame design accommodates seismic, live load and thermal building movements
- ✓ Captured, two-side or four-side structural glazed
- ✓ Glazing and sealing in a controlled factory environment
- ✓ Conventional or "jack bolt" unit wall anchors
- ✓ Zero sight line multi-lock vent inserts
- ✓ Exterior sun shades and interior light shelves available
- ✓ High recycled content extruded aluminum framing

### Performance

<b>Allowable Air</b>
0.06 cfm/sqft at 6.24 psf
<b>Water</b>
15 psf
<b>NFRC U-Factor</b>
0.29 to 0.63 BTU/hr.sqft.°F
<b>CRF<sub>f</sub></b>
73 to 77
<b>STC</b>
32 to 34 OITC 26



DISCLAIMER: Wausau Window and Wall Systems takes no responsibility for product selection or application, including, but not limited to, compliance with building codes, safety codes, laws, merchantability or fitness for a particular purpose; and further disclaims all liability for the use, in whole or in part, of this Technical Guide in preparation of project specifications and/or other documents. Technical Guides are subject to change at any time, without notice, and at Wausau's sole discretion. ©2014 Apogee Wausau Group, Inc.