

Architectural Windows

Projected and Casement (continued)

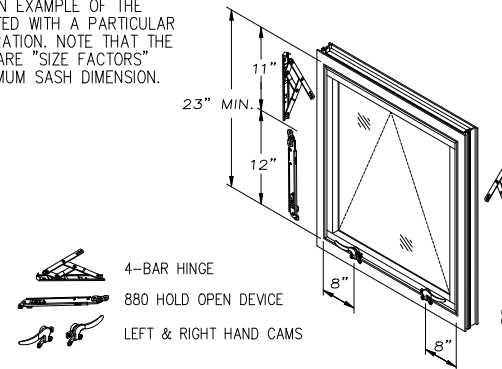
MINIMUM VENT DIMENSIONS

SIZE FACTOR TABLE

COMPONENT	MINIMUM SIZE FACTOR	NOTES
10" Four-Bar Hinge	11"	
Keeper (Single Point)	8"	
Keeper (Two Point)	Inquire	
Butt Hinge	14"	
Cam Lock	8"	
Limit Stop	Inquire	Dimension Varies with Degree of Opening
Support Arm	12"	Dimension Varies with Degree of Opening
Friction Adjuster	20"	
Dual Arm Roto	30"	For 10" Clear Opening
Roto/Single Arm	15"	Increases to 22" when used with Four-Bar Hinge

DIAGRAM

THE FOLLOWING IS AN EXAMPLE OF THE LIMITATIONS PRESENTED WITH A PARTICULAR HARDWARE CONFIGURATION. NOTE THAT THE SUM OF THE HARDWARE "SIZE FACTORS" DETERMINE THE MINIMUM SASH DIMENSION.



PHOTOGRAPH

