



WAUSAU

WINDOW AND WALL
SYSTEMS

STOREFRONT . ENTRANCES STICK CURTAINWALL

WAUSAU'S STOREFRONT AND
ENTRANCE SYSTEMS ARE USED ALL
ACROSS AMERICA TO ENSURE
SINGLE SOURCE RESPONSIBILITY...

SYSTEMS OFFER CONSISTENT
COLOR, COORDINATION OF
DELIVERIES, AND STRENGTH OF
MANUFACTURER'S WARRANTY.

WAUSAU SUPPORTS YOUR
SUSTAINABLE DESIGN GOALS WITH
ENERGY-EFFICIENT, DURABLE
DESIGNS, AND HIGH RECYCLED
CONTENT ALUMINUM FRAMING.

WWW.WAUSAUWINDOW.COM
1.877.678.2983



EIGHT STANDARD ANODIZE FINISHES INCLUDING LINETEC'S UNIQUE COPPER ANODIZE

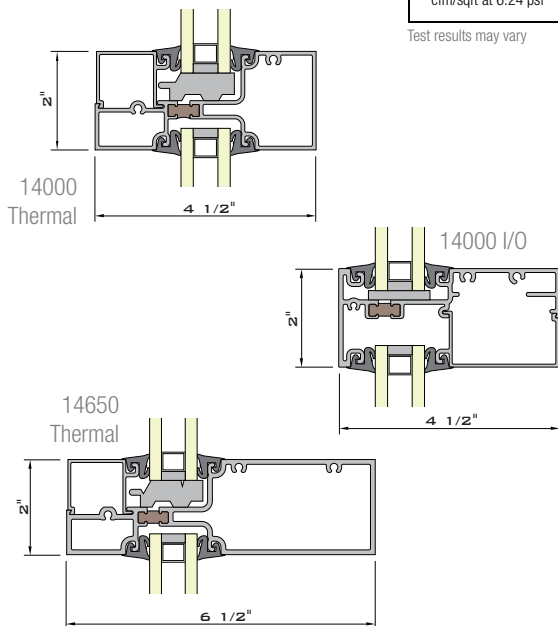
PLUS 20 QUICK-TURN STANDARD PAINT COLORS

CUSTOM COLOR? NO PROBLEM

14000 AND 14650 SERIES FRAMING

AVAILABLE THERMAL BARRIER, SLOTTED, OR NON-THERMAL FOR 1" INSULATING GLASS OR PANELS

- 2" face width, 4 1/2" frame depth, 6 1/2" frame depth on 14650 Series
- Glass positioned in the center, front or back of the frame (14000 I/O)
- Dry glazed from the exterior, internally drained
- 0.075" frame extrusion wall thickness, 0.090" on 14650 Series
- Adapters available for 1/4" glass or panel infill
- For low- to mid-rise applications - Ideal for entrance sidelites and transoms
- Insert vents, exterior sun shades, and interior light shelves available
- High recycled content aluminum framing



Allowable Air	Water	AAMA U-Factor	CRF _f	STC
0.06 cfm/sqft at 6.24 psf	10 to 12 psf	0.60 to 0.63 BTU/hr.sqft.°F (thermal)	53 to 56 (thermal)	32 OITC 26

Test results may vary



STOREFRONT

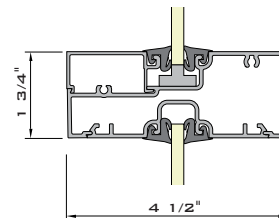


Nuway Construction Goshen, Indiana

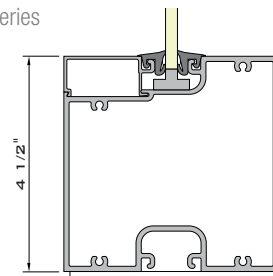
4500 SERIES FRAMING

AN ECONOMICAL NON-THERMAL SYSTEM FOR GLASS OR PANELS UP TO 3/8" THICK

- 1 3/4" face width - 4 1/2" frame depth
- Glass positioned in the center of the frame
- Dry glazed, internally drained
- 0.075" frame extrusion wall thickness
- For low-rise applications - Ideal for entrance sidelites and transoms
- High recycled content aluminum framing



4500 Series



- AUTOCAD® .DWG DETAILS
- TEST REPORTS
- SAMPLES
- ANCHORAGE RECOMMENDATIONS
- INSTALLATION INSTRUCTIONS

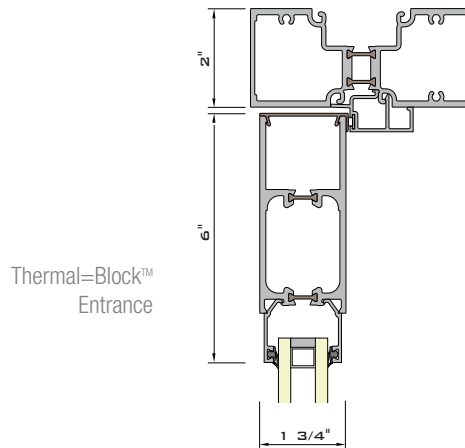
PRE-ENGINEERED STANDARD PRODUCTS FOR COMPETITIVE PRICING AND QUICK DELIVERY

ALL AVAILABLE 24/7 AT WWW.WAUSAUWINDOW.COM

STANDARD, MONUMENTAL AND THERML=BLOCK™ ENTRANCES

INTEGRATE SEAMLESSLY WITH STOREFRONT AND CURTAINWALL
THREADED STEEL TENSION RODS FOR EASY ADJUSTMENT

- 0.125" thick extrusions standard - 0.188" thick extrusions at monumental entrances
- Glazing adapters for 1" insulating glass
- Therml=Block™ entrances feature polyamide thermal barrier strips
- Dual-color finish option
- Custom door hardware applications available
- High recycled content aluminum framing



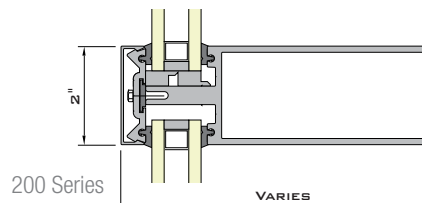
Standard Narrow Stile Entrance - 4" Bottom Rail

ENTRANCES . CURTAINWALL

200 AND 400 SERIES CURTAINWALL

SHEAR BLOCK PRESSURE WALL SYSTEMS FOR EXTERIOR GLAZING

- 2" (200 Series) or 2 ½" (400 Series) face width - Frame depths up to 8"
- Continuous thermal isolators
- Exterior snap-on covers allow for different interior and exterior finishes
- Captured, vertical or horizontal structural glazed
- Insert vents, exterior sun shades and interior light shelves available
- High recycled content aluminum framing



Allowable Air	Water	AAMA U-Factor	CRF _f	STC
0.06 cfm/sqft at 6.24 psf	15 psf	0.66 to 0.67 BTU/hr.sqft.°F	66 to 68	32 OITC 26

Test results may vary





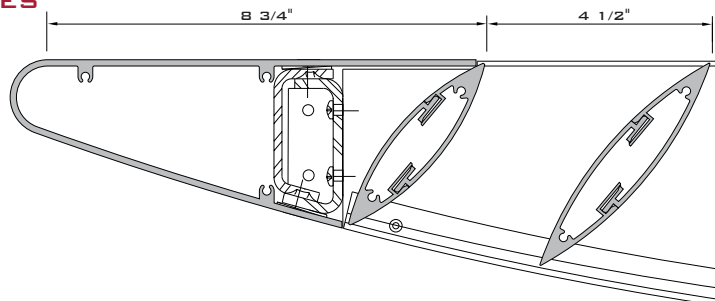
Zorinsky Federal Building | Omaha, Nebraska | Leo A. Daly



Armstrong World Industries | Lancaster, Pennsylvania | Gensler

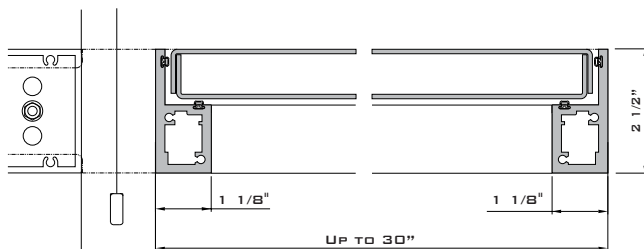
EXTERIOR SUN SHADES

- Control solar heat gain and harvest natural daylight to meet sustainable design goals
- Increase Projection Factor and decrease solar cut-off angles
- A variety of pre-engineered configurations - extruded blades, perforated sheet, "catwalk" grids or solid shading
- Modular design and integral alignment features for ease of installation
- Thermally-improved mullion attachments
- Laser- or water-jet, precision-cut, factory-attached end caps
- Vertical sun shades available for east and west facades



CLEAR STORY™

SUN SHADES AND LIGHT SHELVES



INTERIOR LIGHT SHELVES

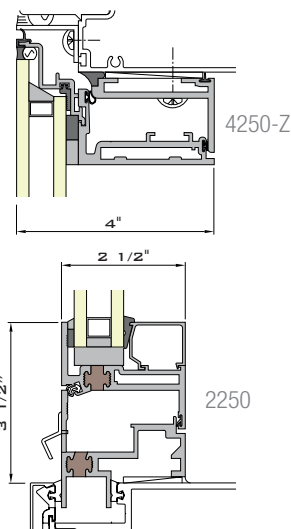
- Redirect south daylight off ceiling surfaces so light penetrates farther
- Control glare at high solar altitudes
- Diffuse, reflective, upper surfaces maximize light - lower surfaces match decor
- A variety of pre-engineered configurations - flush, articulated, aerofoil and contoured
- Light shelves can work in combination with sun shades for maximum daylight harvest
- Shelf depth up to 30" to match transom height
- Optional easy-to-clean removable infill panels
- Not intended as a shelf or step

SUN CONTROL . VENTILATION

SUN SHADES . LIGHT SHELVES . INSERT VENTS

3250/4250-Z ZERO SIGHTLINE PROJECT-OUT CURTAINWALL INSERT VENTS

- 3 1/2" or 4" frame depth
- Available for captured or two-side structural glazed curtainwall of varying face widths
- 3250-Z: AAMA AW-60 rated
- 4250-Z: AAMA AW-90 (awning) AW-100 (casement)
- Multi-point locking system for single handle operation
- Concealed, stainless steel, four-bar, friction hinges
- Mitered frame construction, corner-blocked tubular vents
- Factory silicone glazed for "no sag" performance
- 0.125" principal wall thickness



2250 SERIES CURTAINWALL INSERT VENTS

- 2 1/2" frame depth with polyurethane thermal barrier
- AAMA AW-70 Architectural Class rated
- Project-in hopper, project-out awning or casement vents available
- Mitered and corner-blocked tubular vents
- 0.125" principal wall thickness

Allowable Air	Water	NFRC U-Factor	CRF _f	STC
0.06 cfm/sqft at 6.24 psf	15 psf	0.39 to 0.72 BTU/hr.sqft.°F	48 to 68	31 to 34

Test results may vary



WAUSAU
WINDOW AND WALL
SYSTEMS

7800 INTERNATIONAL DRIVE WAUSAU, WI 54401
TOLL FREE 1 877 678 2983 FAX 1 715 843 4350
EMAIL INFO@WAUSAUWINDOW.COM