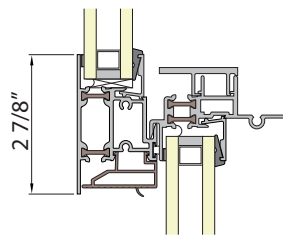


310i-SH SERIES SINGLE HUNG
 AAMA AW-100 RATED HUNG WINDOWS
 POLYAMIDE THERMAL . ULTRALIFT® BALANCES

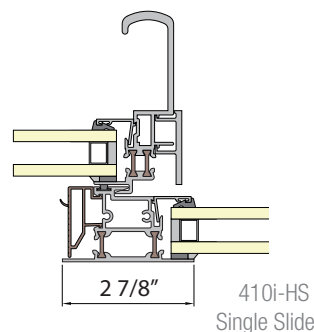


- Rigid "five-member" single hung and single slide frame construction for ease of installation
- Sturdy corner-blocked and crimped sash construction
- Extruded aluminum or slide-in steel anchors
- Accepts 1" insulating glass; bead glazed
- Side-load, take-out, or slide-by sash for cleaning

Check out www.wausauwindow.com for double hung, tilt sash and integrally-blinded options

Allowable Air	Water	NFRC U-Factor	CRF _f	STC
0.30 cfm/sqft at 6.24 psf	12 psf	0.47 to 0.65 BTU/hr.sqft.°F (est)	57	33 (est)

410i/4100i-HS HORIZONTAL ROLLING
 AAMA AW-70 RATED SLIDING WINDOWS
 POLYAMIDE THERMAL . BALL BEARING ROLLERS



4100i-HS
Double Slide

- Rigid "five-member" single hung and single slide frame construction for ease of installation
- Sturdy corner-blocked and crimped sash construction
- Extruded aluminum or slide-in steel anchors
- Accepts 1" insulating glass; bead glazed
- Side-load, take-out, or slide-by sash for cleaning

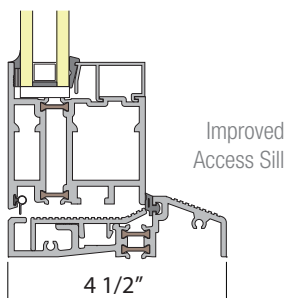
Check out www.wausauwindow.com for double hung, tilt sash and integrally-blinded options

Allowable Air	Water	NFRC U-Factor	CRF _f	STC
0.30 cfm/sqft at 6.24 psf	12 psf	0.41 to 0.65 BTU/hr.sqft.°F	49 to 57	33 (est)

PRODUCTION LINE SAMPLING, INCLUDING INSPECTION AND WATER TESTING PRIOR TO SHIPMENT, HELPS ENSURE REAL-WORLD PERFORMANCE EQUAL TO THE LAB

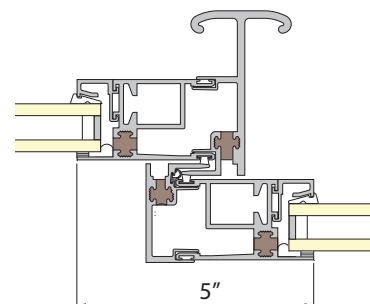
HUNG AND ROLLING WINDOWS AND BALCONY DOORS

TD-4250i TERRACE DOOR
 AAMA AW-RATED SINGLE OR FRENCH DOORS
 POLYAMIDE THERMAL . MULTI-POINT LOCKING



- 4 1/2" frame depth, for seamless integration with other Wausau window wall products
- Sturdy corner-blocked and crimped door leaf construction
- Accepts 1" insulating glass - Removable beads for easy reglazing
- Low maintenance and smooth operation, designed for high-rise residential applications
- Offered through Advantage by Wausau for quick delivery

D-5100 SLIDING GLASS DOOR
 AAMA AW60 RATED
 POLYURETHANE THERMAL . 12 PSF WATER



7800 INTERNATIONAL DRIVE WAUSAU, WI 54401
 TOLL FREE 1 877 678 2983 FAX 1 715 843 4350
 E-MAIL INFO@WAUSAUWINDOW.COM



HIGH RECYCLED CONTENT ALUMINUM FRAMING



WAUSAU

WINDOW AND WALL SYSTEMS



The Clarendon Boston, Massachusetts Robert A. M. Stern Architects 29501-1122 June

WINDOWS AND BALCONY DOORS

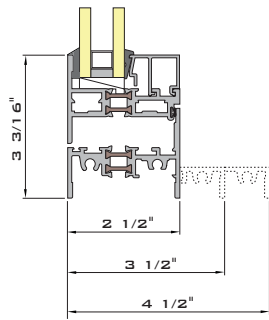


THERE'S A REASON SO MANY OF OUR NATION'S MOST IMPORTANT BUILDINGS, FROM ART MUSEUMS TO ELEMENTARY SCHOOLS HAVE WAUSAU WINDOWS...

FOR MORE THAN 55 YEARS, WAUSAU HAS SET THE STANDARD FOR PERFORMANCE, QUALITY, AND EASE OF INSTALLATION.

WAUSAU ENGINEERING PROFESSIONALS ENSURE THAT EACH BUILDING'S WINDOWS ARE RIGHT FOR ITS NEEDS, SUCH AS PRE-ENGINEERED SCHOOL WINDOWS, ARCHITECTURAL GRADE HOSPITAL WINDOWS, OR CUSTOMIZED HISTORICALLY ACCURATE REPLACEMENTS. WAUSAU SUPPORTS YOUR SUSTAINABLE DESIGN GOALS, AND OFFERS AN INDUSTRY-LEADING PRODUCT WARRANTY OF UP TO 10 YEARS.

WWW.WAUSAUWINDOW.COM
 1.877.678.2983



2250i, 3250i AND 4250i
WAUSAU'S FLAGSHIP SERIES
DESIGN FLEXIBILITY . HIGH PERFORMANCE

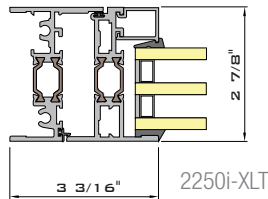
- 2½", 3½" and 4½" frame depth with polyamide thermal barrier
- AAMA AW-100 Architectural Performance Class
- Fixed, project-in hopper, project-out awning, or casement
- Integral blinds with access doors available
- 1/8" wall thickness at hardware attachments
- Multi-lock hardware option for improved accessibility
- XLT option features extra-wide thermal barrier, glazed-in muntin grid option for historical renovation
- BHM option for UFC or ISC blast hazard mitigation
- HP option for ASTM E 1996 hurricane impact resistance

Allowable Air	Water	NFRC U-Factor	CRF _f	STC
0.10 cfm/sqft at 6.24 psf	15 psf	0.34 to 0.64 BTU/hr.sqft.°F	46 to 65	31 to 42

NFRC U-Factors as low as 0.19 BTU/hr.sqft.°F (R 5.3) can be achieved using triple insulating glass in 2250i-XLT fixed windows.

XLT

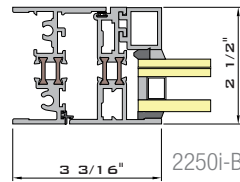
**SUPERIOR ENERGY EFFICIENCY AND
 CONDENSATION RESISTANCE**



2250i-XLT

BHM

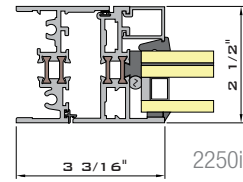
**PRE-ENGINEERED
 BLAST HAZARD MITIGATION**



2250i-BHM

HP

**HURRICANE IMPACT RESISTANT
 OPERABLE WINDOWS**

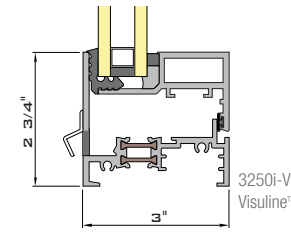


2250i-HP

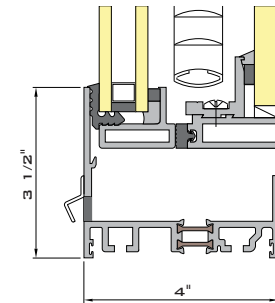
WAUSAU'S STANDARD AAMA AW-70 RATED 2250, 3250 AND 4250 PRODUCTS WITH POLYURETHANE THERMAL BARRIER ALSO AVAILABLE

3250i-V AND 4250i-V VISULINE™ . 4000i-DT
LARGE, HIGH PERFORMANCE INSWING VENTS
EQUAL SIGHTLINES AT VENTS AND FIXED LITES

- 3" and 4½" frame depth with polyamide thermal barrier
- AAMA AW-100 Architectural Performance Class
- Fixed, project-in hopper, or project-in casement
- Equal sightlines at vents and fixed lites
- Structural "no-sag" glazing allows for large vents
- Multi-lock hardware option for improved accessibility
- 1/8" principal wall thickness
- No vent joinery exposed to the exterior
- 4000i-DT Psychiatric windows are "drop-tested" for human impact, and fitted with tamper-resistant hardware



3250i-V Visuline™



4000i-DT Psychiatric

Allowable Air	Water	NFRC U-Factor	CRF _f	STC
0.10 cfm/sqft at 6.24 psf	15 psf	0.39 to 0.66 BTU/hr.sqft.°F	54 to 62	33 to 48

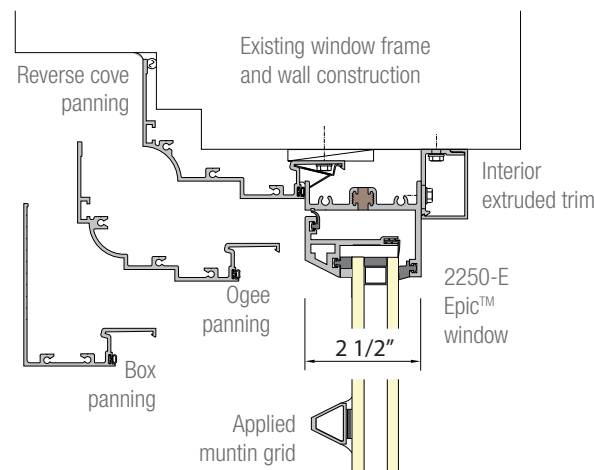
www.wausauwindow.com . Download details, specifications, and product performance information

PROJECTED AND FIXED WINDOWS

**WINDOW REPLACEMENT
 PANNING AND MUNTIN GRIDS**

Removal of existing operable sash only, leaving frames in place, speeds installation and minimizes disruption - An extruded aluminum "panning" system prepares the opening

Muntins are available as true divided lites, glazed-in grids, silicone-applied or between-glass



SIMULATED DOUBLE HUNG

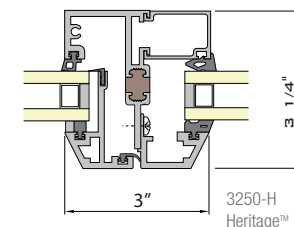
Projected windows with offset glass planes to replicate existing double-hung sash, but with the ease of operation, durability and low air infiltration of compression seals



Leaving existing windows in place? Check out Wausau's S.E.A.L. interior accessory windows for sound, energy, air and light control

2250-E EPIC™ AND 3250-H HERITAGE™
BEVELED EXTERIOR FACE REPLICATES PUTTY-GLAZED PROFILES
EQUAL SIGHT LINES AT VENTS AND FIXED LITES

- Frame depths from 2 ½" to 6" for small or large openings
- Polyurethane or polyamide thermal barrier
- AAMA AW-60 air, water and structural performance
- Structural "no-sag" glazing allows for large vents
- 1/8" principal wall thickness
- Uninterrupted "cruciform" reveals frame each Heritage lite



3250-H Heritage™



Allowable Air	Water	NFRC U-Factor	CRF _f	STC
0.10 cfm/sqft at 6.24 psf	12 psf	0.34 to 0.60 BTU/hr.sqft.°F (est)	47 to 65	33 (est)



**PRE-ENGINEERED STANDARD PRODUCTS FOR
 COMPETITIVE PRICING AND QUICK DELIVERY**