



## Aloha from Wausau

Our Hawaiian Portfolio

For over 60 years, Wausau's high-performance Architectural AW Class windows, balcony doors and high-tech unitized curtainwall systems have met the Islands' unique needs, for governmental, educational, health care, and commercial buildings.





# Wausau's Hawaiian Photo Gallery



P.O.S.T. University of Hawaii . Architects Hawaii



Kapiolani Medical Center . Architects Hawaii



One Archer Lane . Media Five Architecture



One Ala Moana . Benjamin Woo Architects



P.J.K.K. Courthouse . Gensler Architects



Waikiki Landmark . Architects Hawaii



## Partial Project List

- ▶ 1100 Alakea Corporate Tower
- ▶ Aircraft Apron
- ▶ Caltech Submillimeter Observatory
- ▶ Christ United Church
- ▶ Harbor Court Place
- ▶ Hawaiki Tower at 404 Piikoi Street
- ▶ Helemano Military Reserve
- ▶ Hilo Judicial Building
- ▶ Kaiser Moanalua
- ▶ Kapiolani Medical Center
- ▶ Kapolei Middle School
- ▶ Keola La'i Tower
- ▶ King Kalakaua Plaza
- ▶ One Archer Lane
- ▶ Prince Jonah Kuhio Kalaniana'ole Courthouse
- ▶ Pacific Ocean Science and Technology Center
- ▶ St. Francis Medical Center
- ▶ Veterans Administration Hospital
- ▶ Waikiki Landmark



Harbor Court Plaza . Lacayo Architects



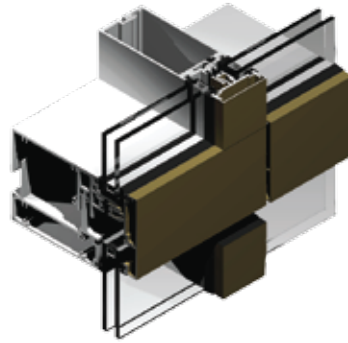
Keola La'i Tower . Durrant . Media Five



King Kalakaua Plaza . Architects Hawaii

# Wausau Product Families for the Hawaiian Market

- ▶ INvision™ Unitized Curtainwall
- ▶ SuperWall™ Stick Curtainwall
- ▶ INvent™ Fixed and Projected Windows
- ▶ CrossTrak™ Sliding Glass Doors
- ▶ TD-4250i Terrace Doors
- ▶ 4000i-DT Behavioral Care Hospital Windows
- ▶ SEAL™ Interior Accessory Windows
- ▶ ClearStory™ Sun Shades and Light Shelves
- ▶ Windborne Debris-Tested Options Available



Put Wausau's experience to work on your next project. Our architectural services team is available for design consultation and budget pricing - or find comprehensive technical information at [www.wausauwindow.com](http://www.wausauwindow.com)



7800 International Drive  
Wausau, WI 54401  
1.877.678.2983  
[info@wausauwindow.com](mailto:info@wausauwindow.com)  
[wausauwindow.com](http://wausauwindow.com)



"INvision," "CrossTrak," "INvent," "SEAL" and "SuperWall" are trademarks of Apogee Wausau Group, Inc. All rights reserved. ©2017 Apogee Wausau Group, Inc.