

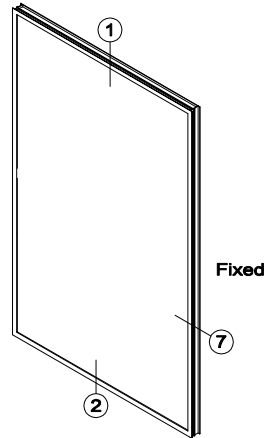


Architectural Windows

SX45-XLT Single Slide and FX45-XLT Fixed Series

Elevations Viewed From The Exterior

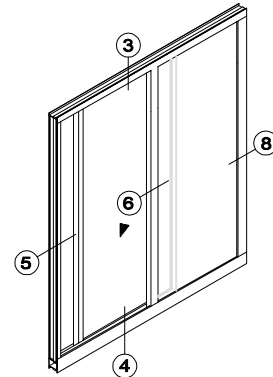
Section Contents	Page(s)
Details.....	S32 and S3-3
Stacking Mullions.....	S3-4 and S3-5
Glazing Options.....	S3-6
Accessories.....	S3-7 and S3-8



AAMA Test Configurations (shown)
Architectural AW Class
For air, water, cycling and structural

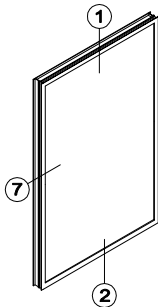
Fixed Frame Size	59" x 98"	Fixed	1500 mm x 2500 mm
Horizontal Slider Size	98" x 79"	Type A	2500 mm x 2000 mm

AAMA

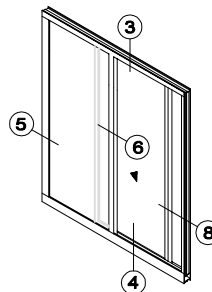


NFRC 100 Thermal Test Configurations (shown)
For U-Factor, SHGC and CR

Fixed Frame Size	47" x 59"	1200 mm x 1500 mm
Horizontal Slider Size	59" x 47"	1500 mm x 1200 mm



NFRC



SX45-XLT Series

Developed and tested as EFCO XTherm™ SX-45 Series

Contact A Wausau Representative For Other Possible Configurations



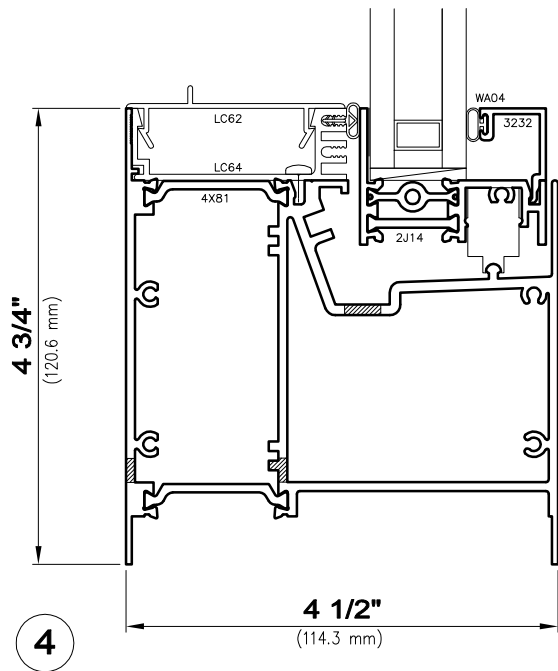
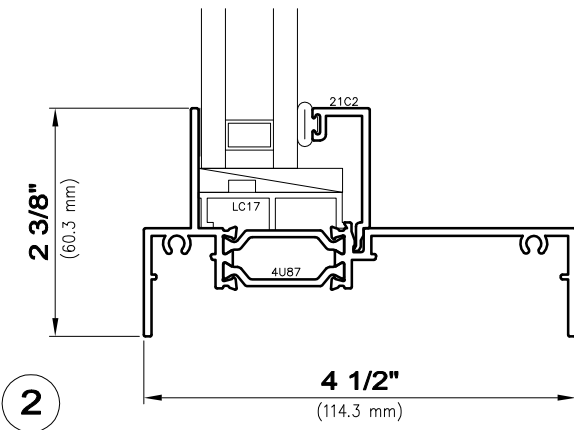
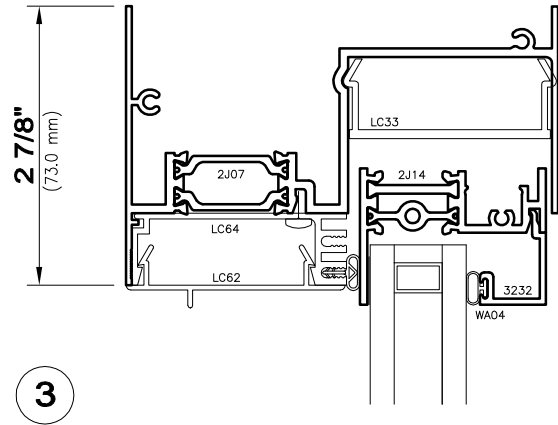
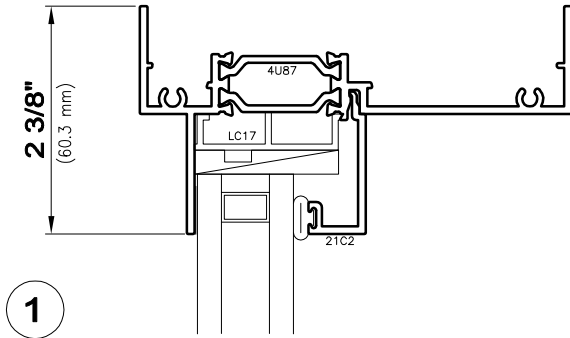
WAUSAU

WINDOW AND WALL
SYSTEMS

Single Slide and Fixed Details

Architectural Windows

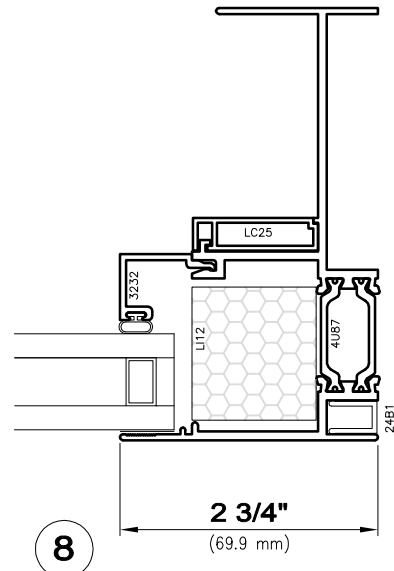
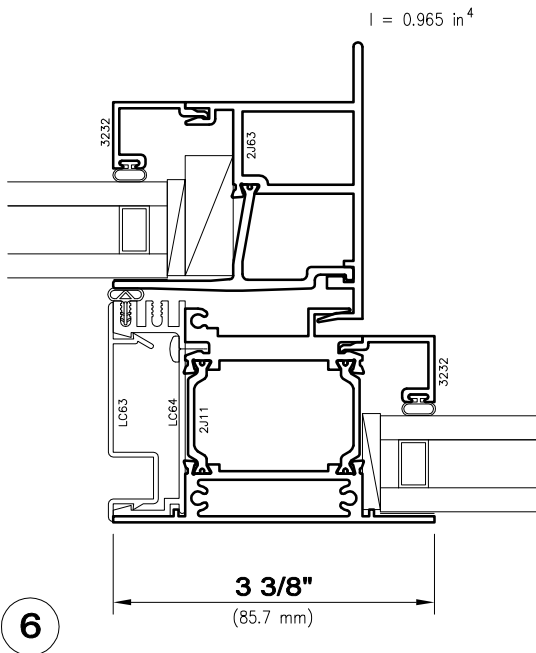
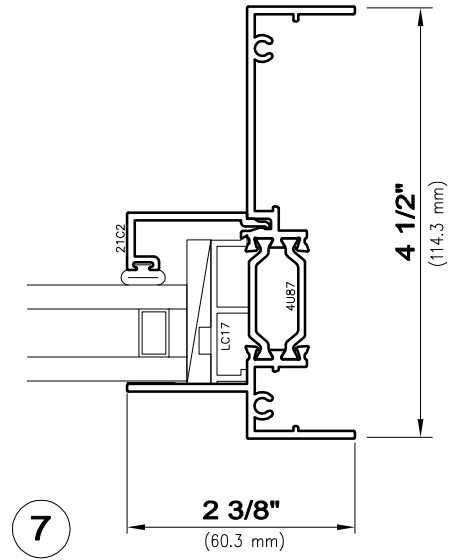
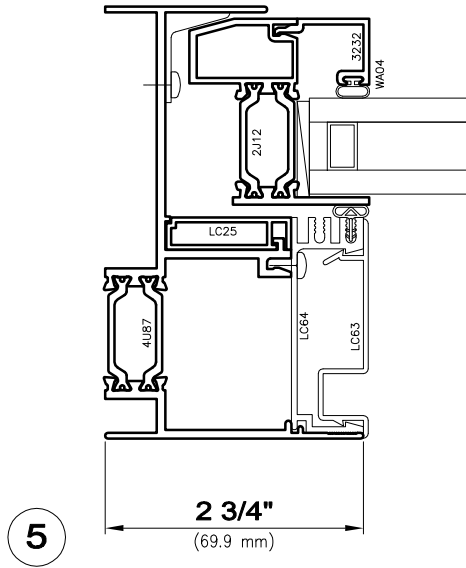
SX45-XLT Single Slide and FX45-XLT Fixed Series

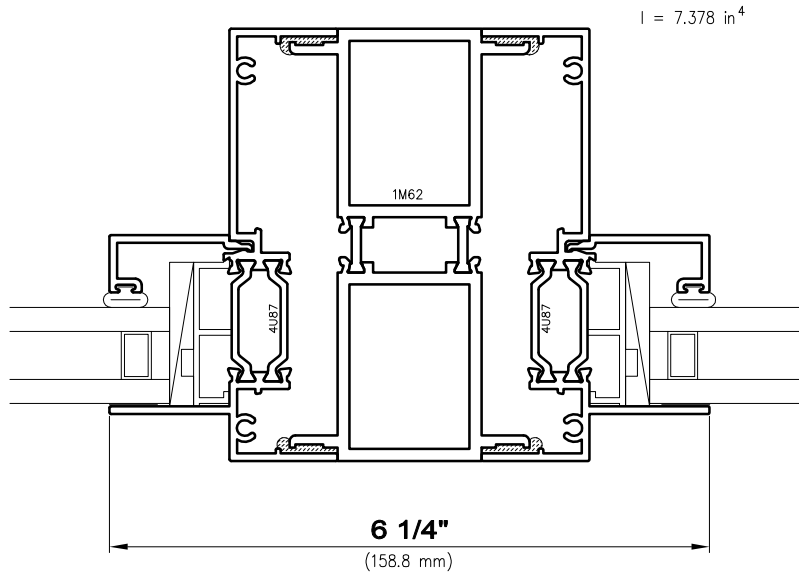




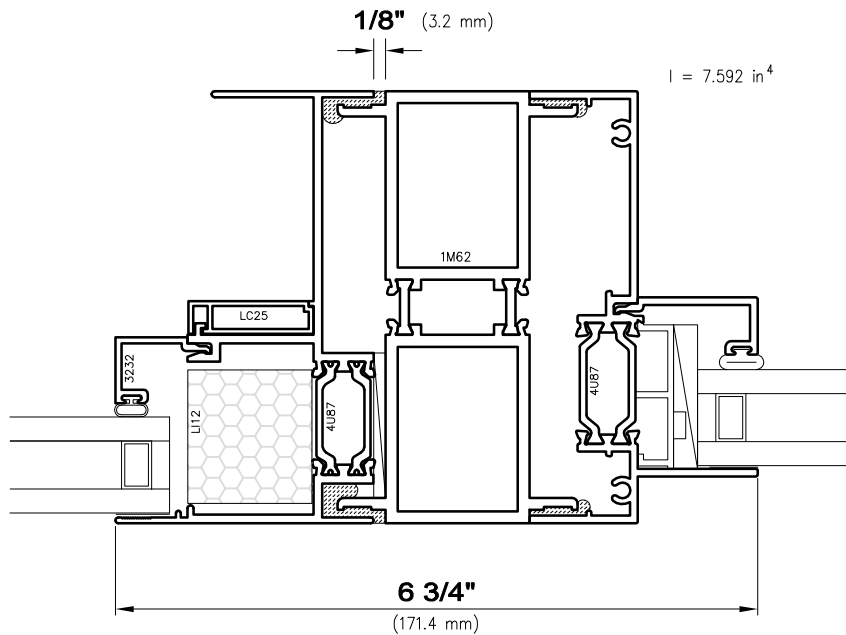
Architectural Windows

SX45-XLT Single Slide and FX45-XLT Fixed Series



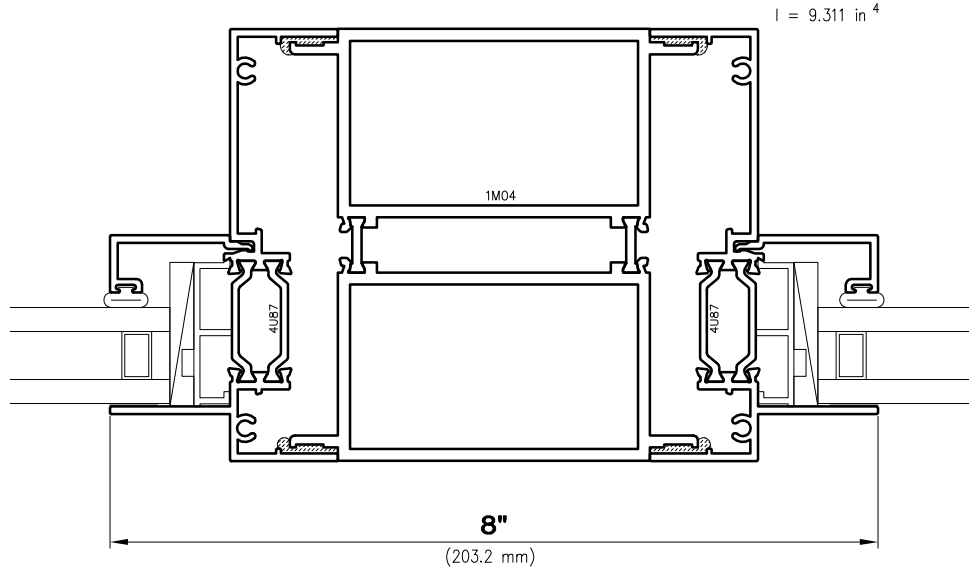


9 Fixed/Fixed

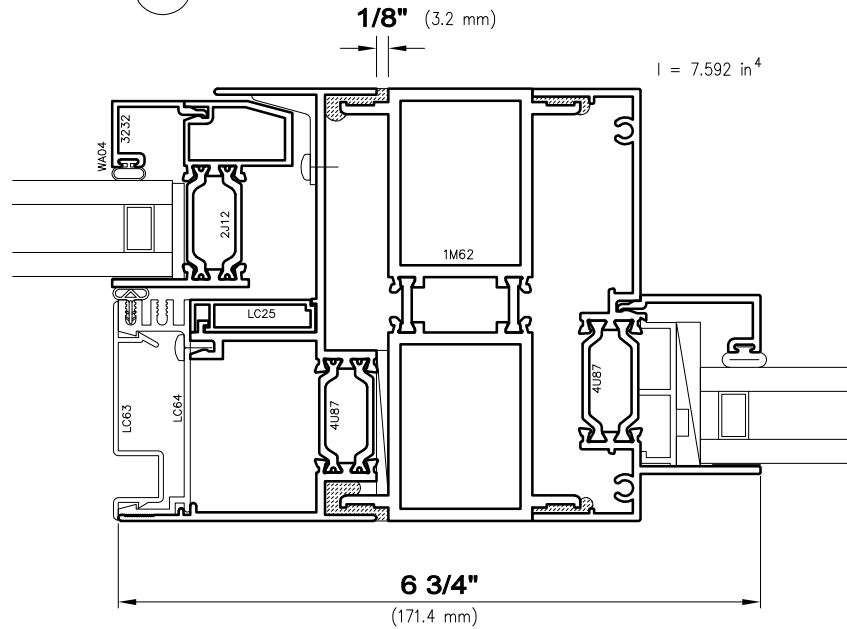


10 Inactive/Fixed

I-values indicated are for frame members only.
Thermal barrier shear reduction of 10% included.



11 Fixed/Fixed



12 Active/Fixed

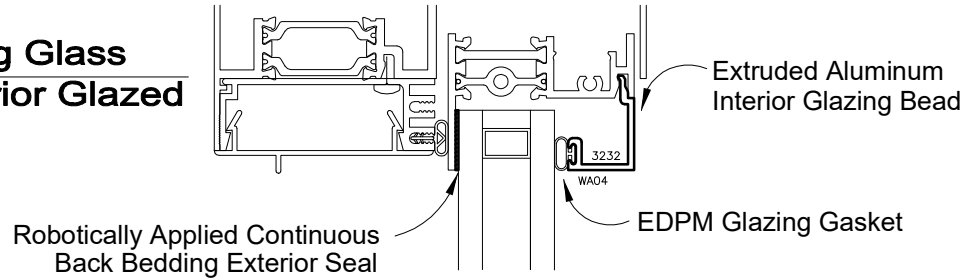
I-values indicated are for frame members only.
Thermal barrier shear reduction of 10% included.



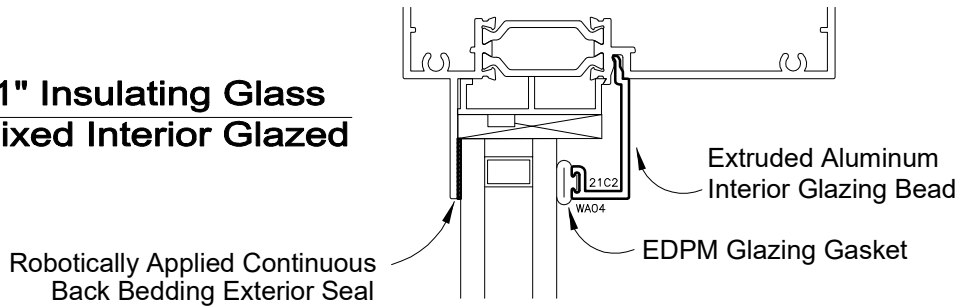
Architectural Windows

SX45-XLT Single Slide and FX45-XLT Fixed Series

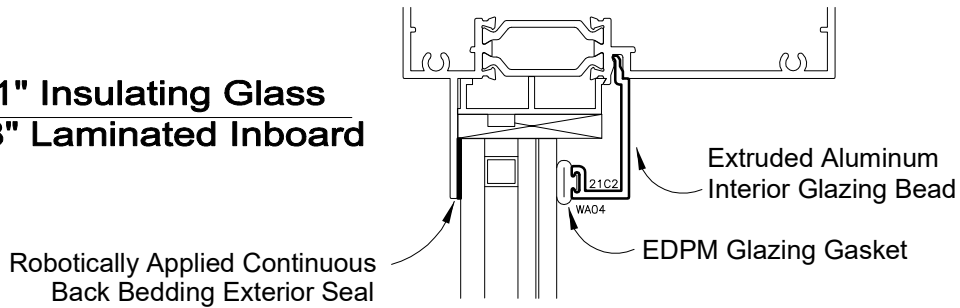
**1" Insulating Glass
Operable Interior Glazed**



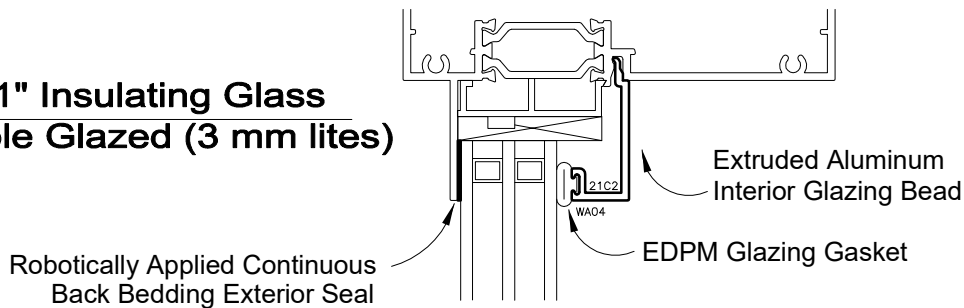
**1" Insulating Glass
Fixed Interior Glazed**

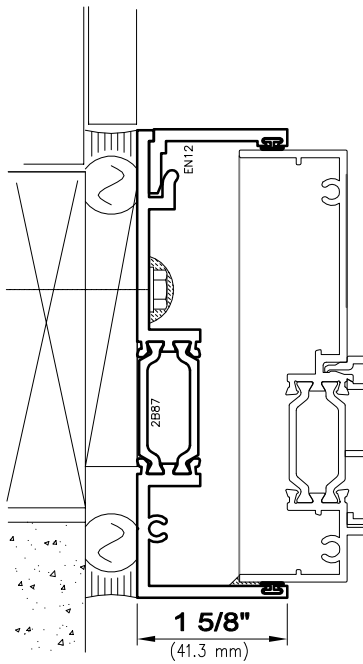


**1" Insulating Glass
3/8" Laminated Inboard**

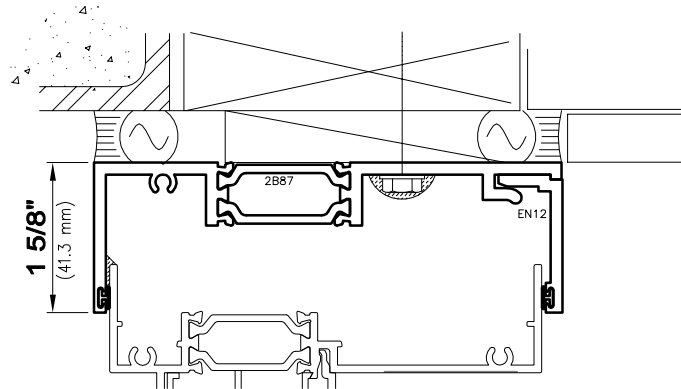


**1" Insulating Glass
Triple Glazed (3 mm lites)**

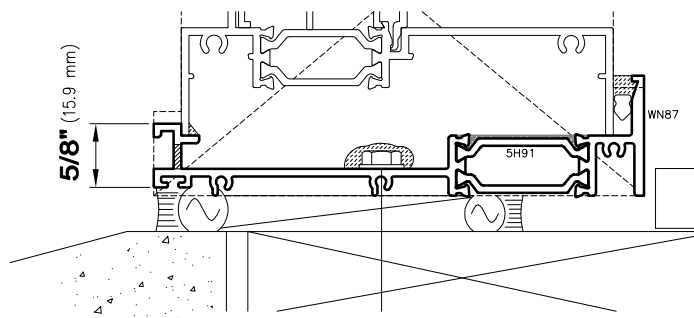




4-1/2" Jamb Starter



4-1/2" Head Starter

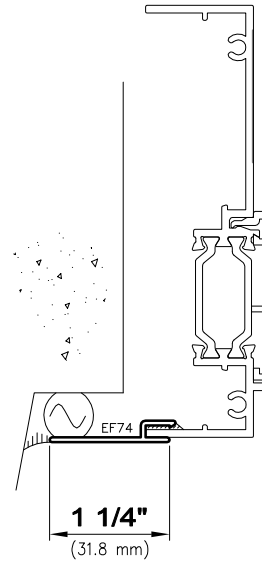
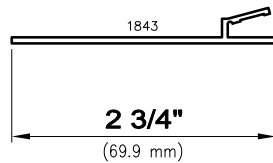
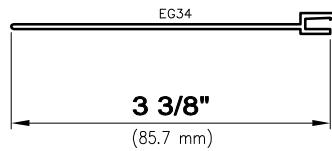


4-1/2" Sill Starter

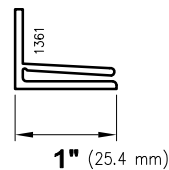
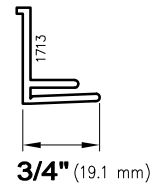
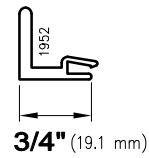
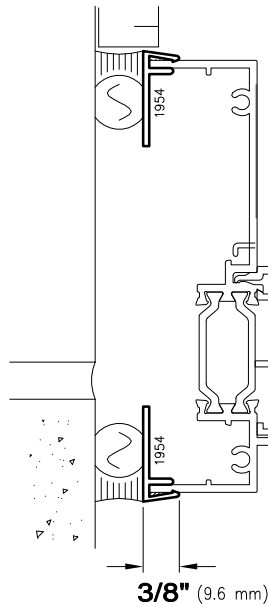


Architectural Windows

SX45-XLT Single Slide and FX45-XLT Fixed Series



Frame Extenders



Caulk Backers