

D5100 SERIES Sliding Glass Door



Features

ANSI/AAMA 101.93 and
AAMA/NWDA 101/I.S. 2-97
SGD-AW40 and SGD-AW60

12 PSF water test pressure

4½" thermal frame depth

Poured and debridged
urethane thermal break

Dual-silicoated pile weather-
strip with Mylar® fin

Mitered/corner keyed,
epoxied and crimped sash
factory assembled

Stackable frame transoms,
fixed lites, and spandrels

Stainless-steel roller track

Frame square cut and
precision machined,
field assembled

Sill principal wall members
.094" thick

Bead glazed with continuous
silicone toe bead

Factory glazing available

½" - 1" glazing infills

Interlocking meeting rail

Surface-applied adjustable
locking pull latch

Two adjustable roller
 housings with tandem 1½"
plated steel grease-packed
ball bearing rollers

PVC caulk stops available

Architectural finishes

10-year warranty

Smooth operation

Limit stops

Forced Entry Resistance
tested Level 10

D5100 SERIES Sliding Glass Door

Superior design and component modularity position the D5100 as a premier performing sliding glass door, while meeting architectural aesthetic and budget needs.

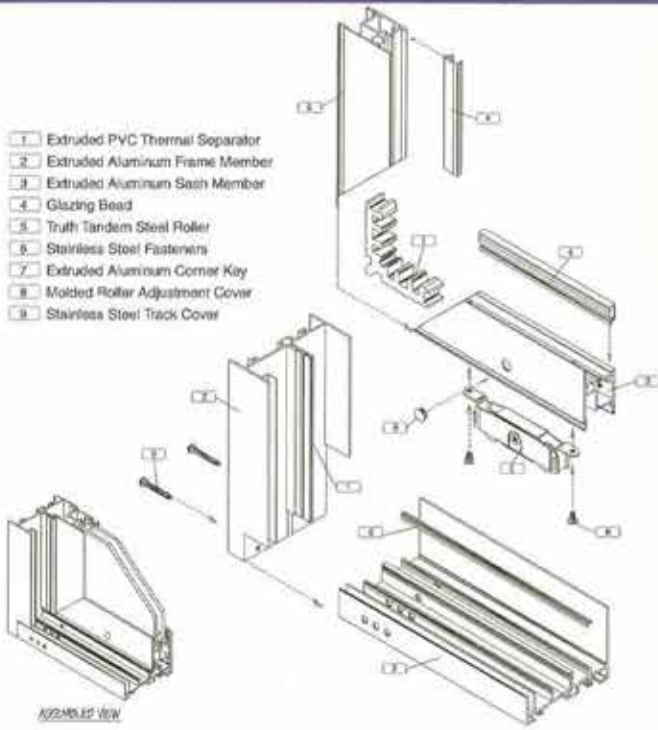


WAUSAU

WINDOW AND WALL
SYSTEMS

D5100 SERIES Sliding Glass Door

- 1 Extruded PVC Thermal Separator
- 2 Extruded Aluminum Frame Member
- 3 Extruded Aluminum Sash Member
- 4 Glazing Bead
- 5 True Tandem Steel Roller
- 6 Stainless Steel Fasteners
- 7 Extruded Aluminum Corner Key
- 8 Molded Roller Adjustment Cover
- 9 Stainless Steel Track Cover



Options

- 3/8" between-glass Venetian blinds with hinged access door
- Beveled sash and muntins
- Non-takeout hardware
- True, applied, between the glass, and grid muntins
- Half screens: aluminum or fiberglass mesh, extruded frame finished to match window color
- Screen contains adjustable spring-loaded nylon rollers
- Mortise lock and concealed strike
- Dual-color painted finishes
- Head, sill, and jamb starters



7800 International Drive Wausau, WI 54401
 Toll Free 1 877 678 2983 Fax 1 715 843 4350
 Email info@wausauwindow.com



WAUSAU
 WINDOW AND WALL
 SYSTEMS