



WAUSAU

WINDOW AND WALL
SYSTEMS

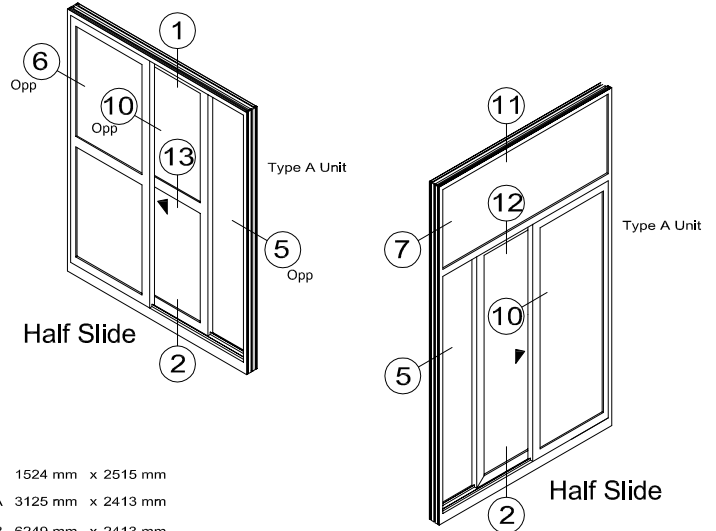
ELEVATIONS

Architectural Sliding Glass Door

D-5100 Series

Elevations Viewed From The Exterior

Section Contents	Page(s)
Details	D2-2 thru D2-5
Mullion Stacks	D2-6
Accessories	D2-7
Glazing Options	D2-8
Blind Options	D2-9

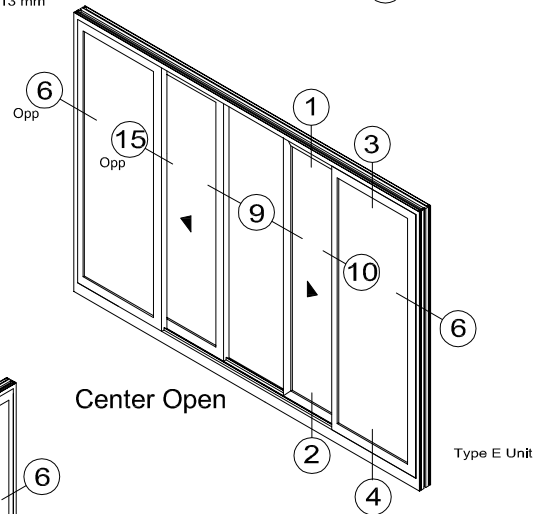


AAMA Test Configurations (shown)
Architectural AW Class
 For air, water, cycling and structural

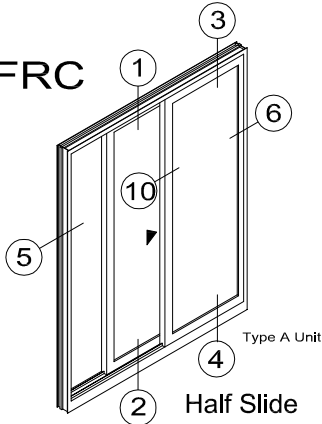
Fixed Frame Size	60" x 99"	Fixed	1524 mm x 2515 mm
Gateway Sizes	123" x 95"	Type A	3125 mm x 2413 mm
Sliding Patio Door Frame Size	246" x 95"	Type B, Type D, Type E	6249 mm x 2413 mm

NFRC 100 Thermal Test Configurations (shown)
 For U-Factor, SHGC and CR

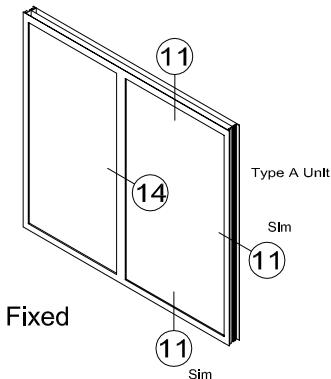
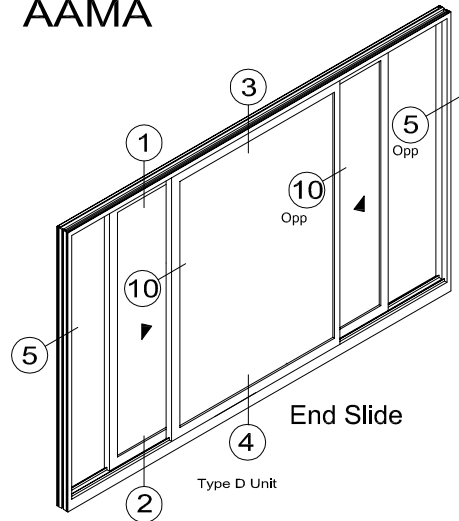
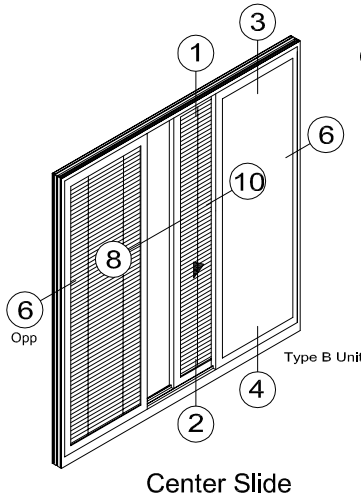
Fixed Frame Size	47" x 59"	1194 mm x 1499mm
Sliding Patio Door Frame Size	79" x 79"	2007 mm x 2007 mm
Door Transom Frame Size	79" x 24"	2007 mm x 610 mm



NFRC



AAMA



D-5100

Contact A Wausau Representative For Other Possible Configurations.



WAUSAU

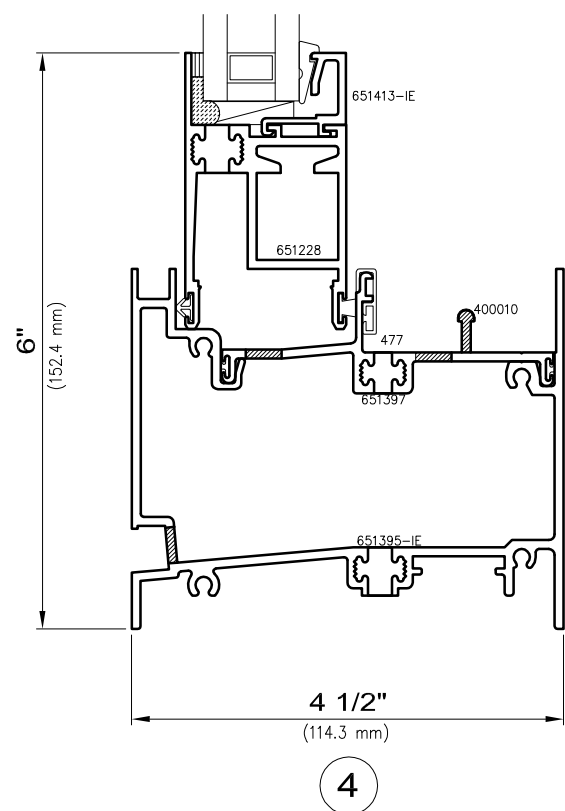
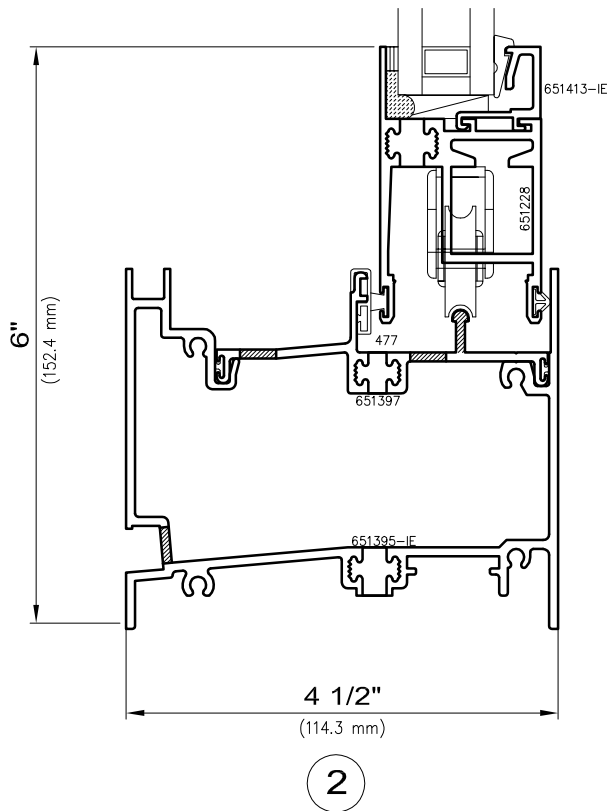
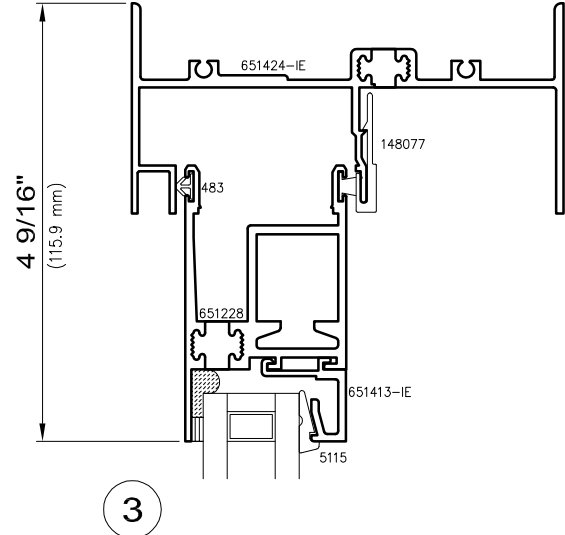
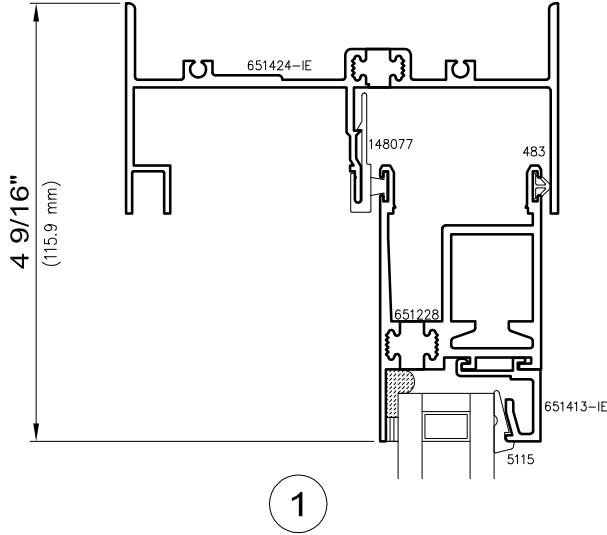
WINDOW AND WALL
SYSTEMS

SLIDING PATIO DOOR

Architectural Sliding Glass Door

D-5100 Series

Non-stocked items shown – Minimum order quantity may apply





WAUSAU

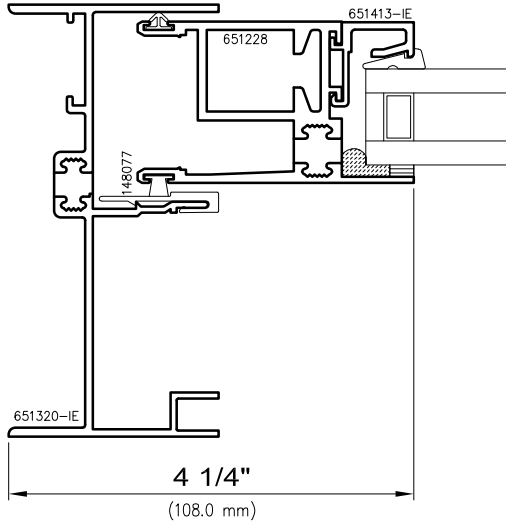
WINDOW AND WALL
SYSTEMS

SLIDING PATIO DOOR

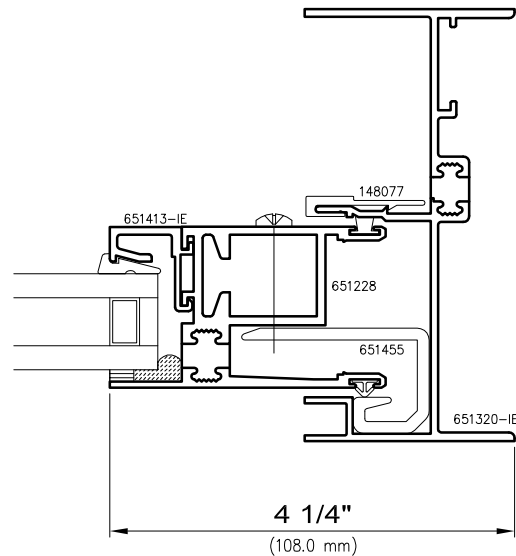
Architectural Sliding Glass Door

D-5100 Series

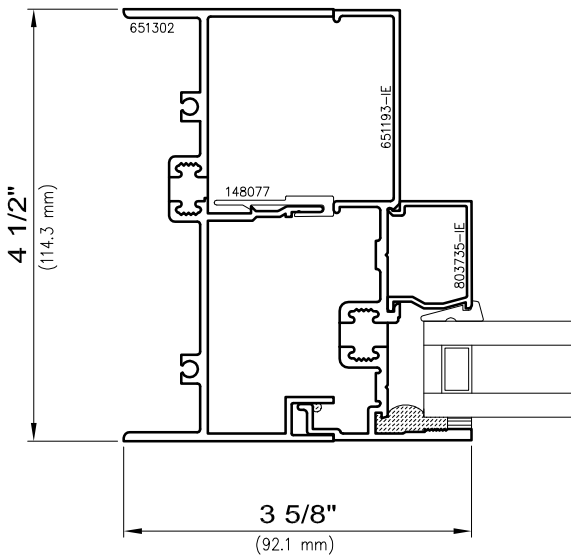
Non-stocked items shown – Minimum order quantity may apply



5



6



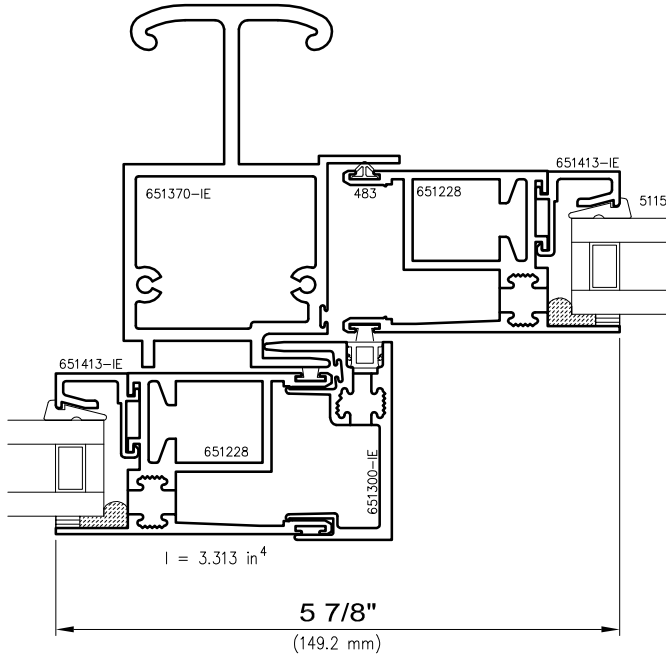
7



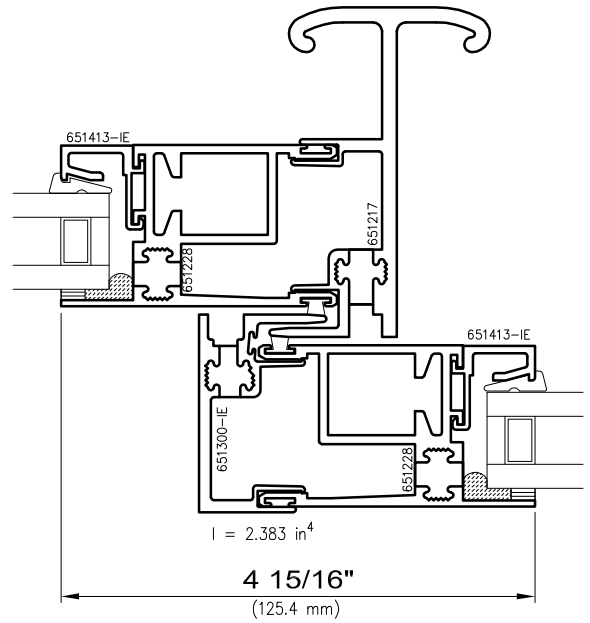
Architectural Sliding Glass Door

D-5100 Series

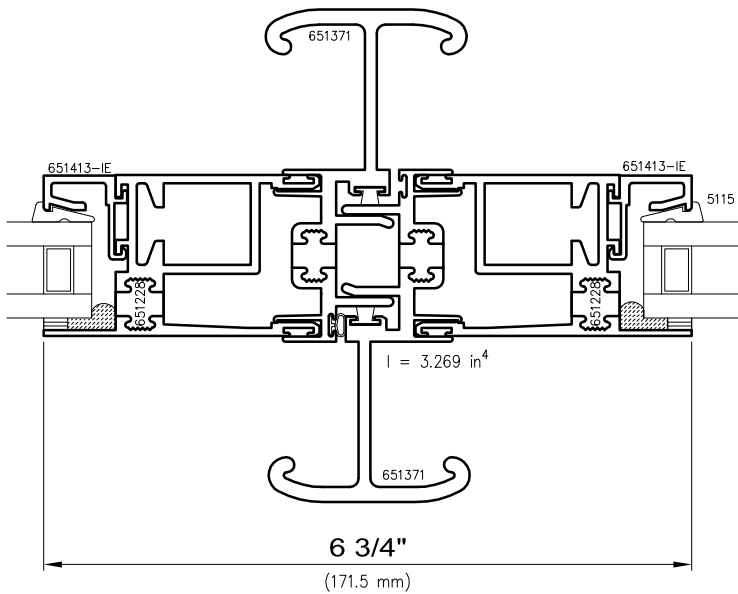
Non-stocked items shown – Minimum order quantity may apply



8

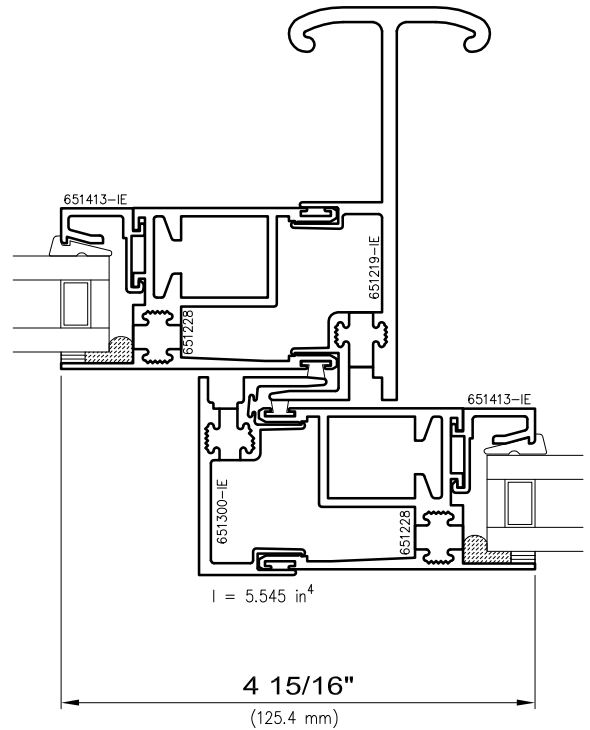


10



9

Heavy Duty



10

**Heavy Duty
(Alternate Rail)**

I-values indicated are for frame members only.
Thermal barrier shear reduction of 15% included.



WAUSAU

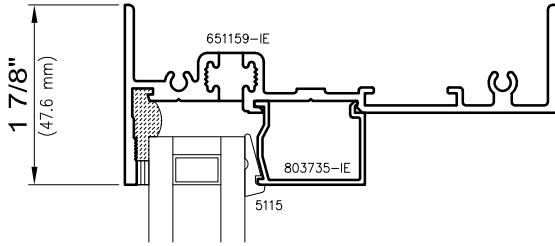
WINDOW AND WALL
SYSTEMS

SLIDING PATIO DOOR

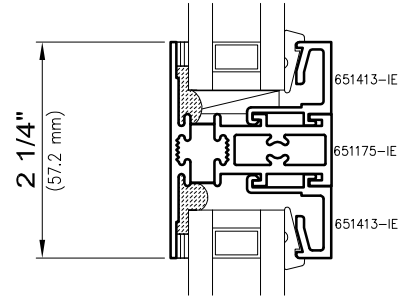
Architectural Sliding Glass Door

D-5100 Series

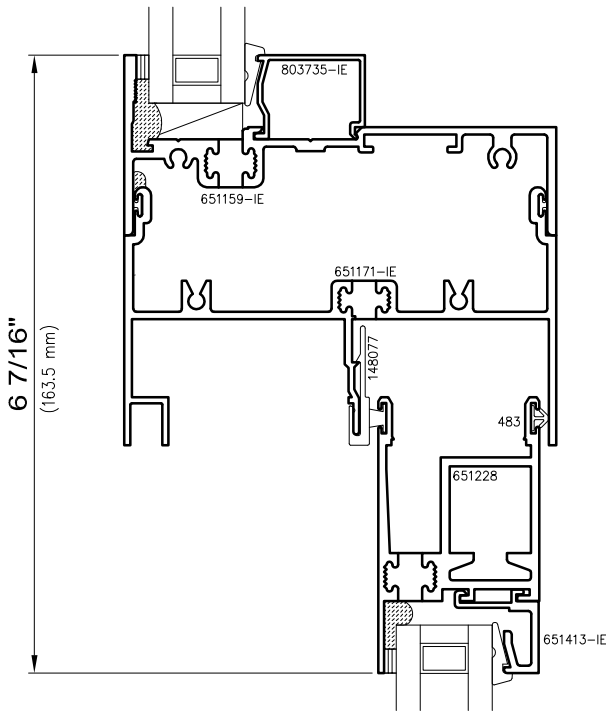
Non-stocked items shown – Minimum order quantity may apply



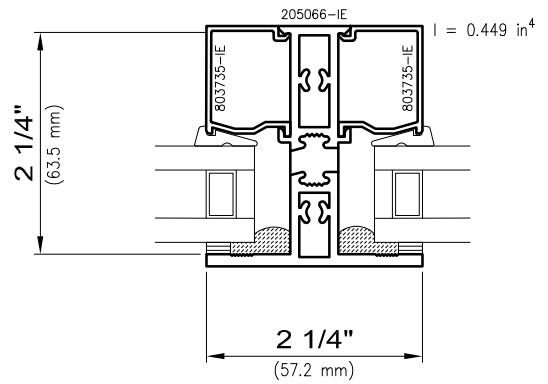
11



13



12



14

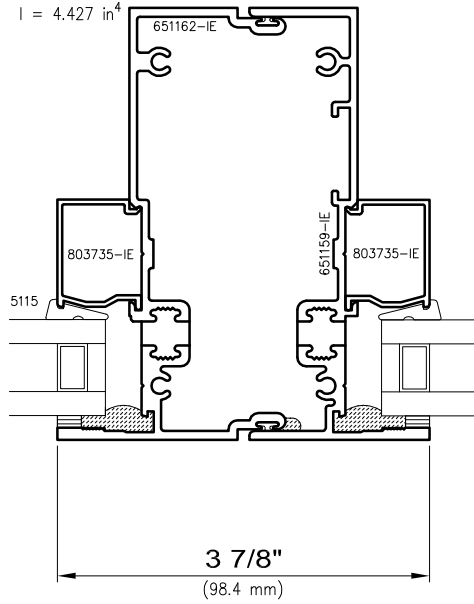
I-values indicated are for frame members only.
Thermal barrier shear reduction of 15% included.



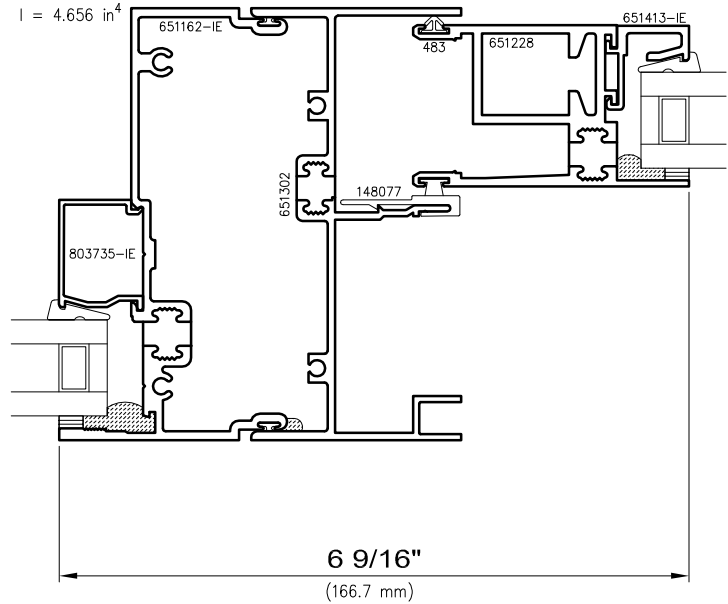
Architectural Sliding Glass Door

D-5100 Series

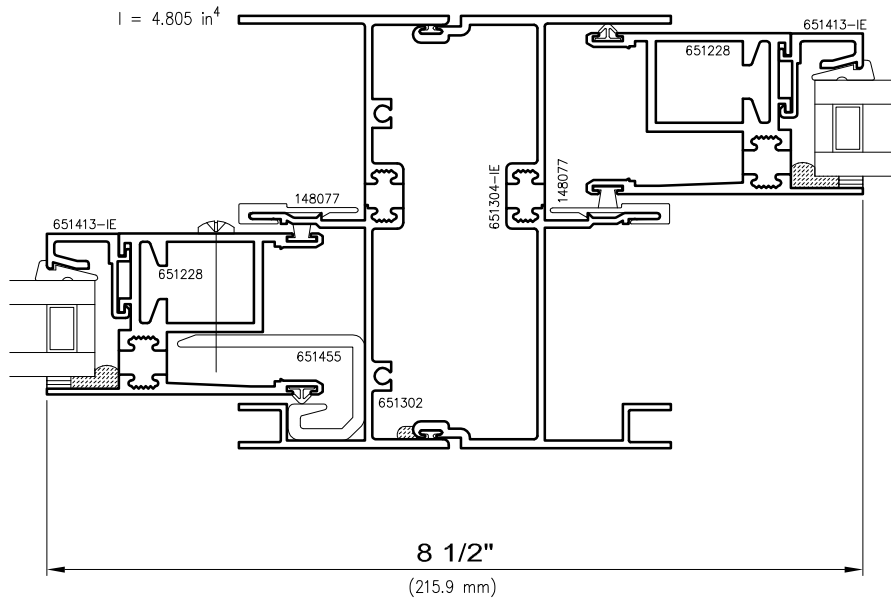
Non-stocked items shown – Minimum order quantity may apply



Fixed/Fixed



Fixed/Operable



Operable/Operable

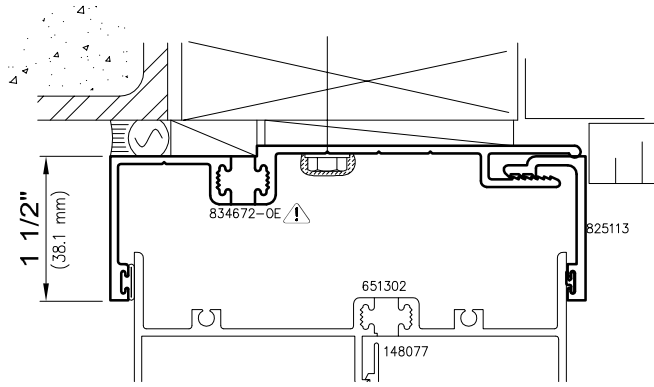
I-values indicated are for frame members only.
Thermal barrier shear reduction of 15% included.



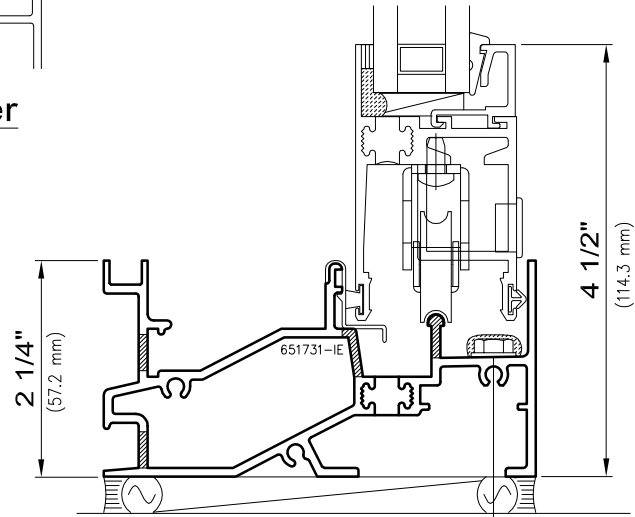
Architectural Sliding Glass Door

D-5100 Series

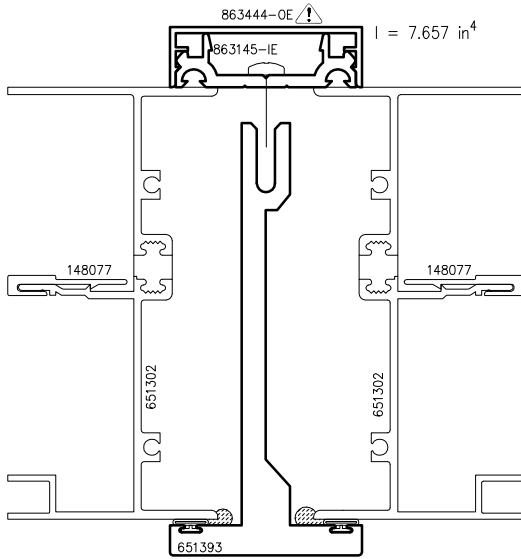
Non-stocked items shown – Minimum order quantity may apply



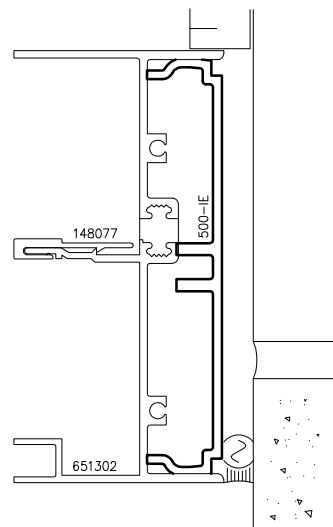
Head & Jamb Starter



Optional 8 PSF Sill



Flat Mullion



PVC Caulk Backer

⚠ - OBSOLETE TOOLING STATUS

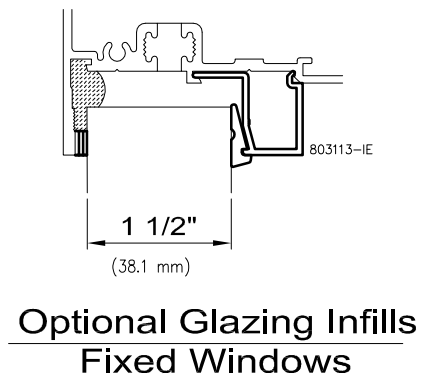
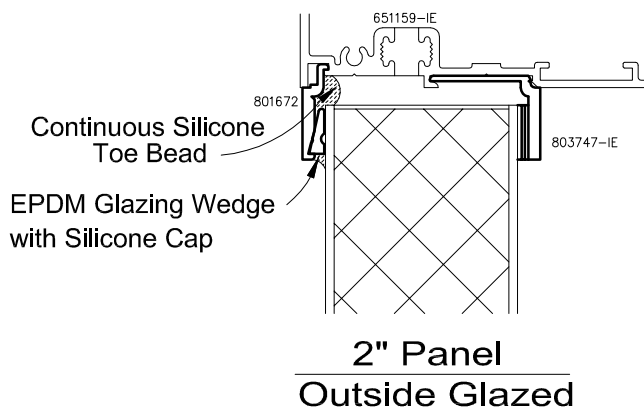
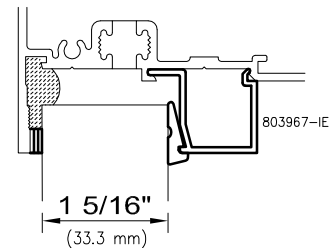
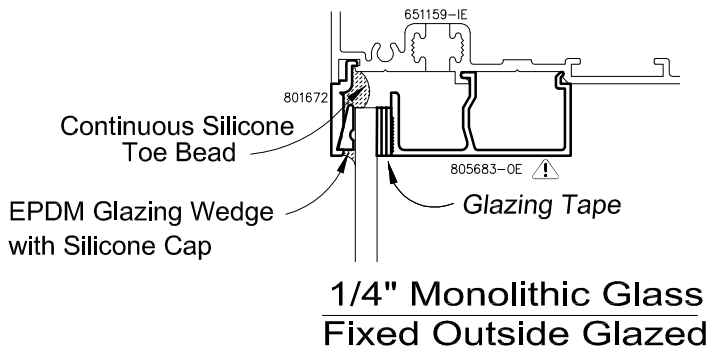
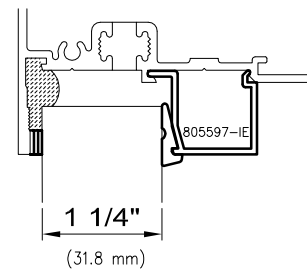
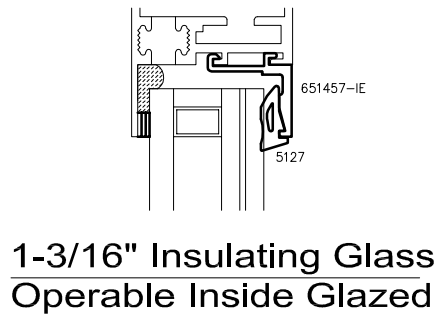
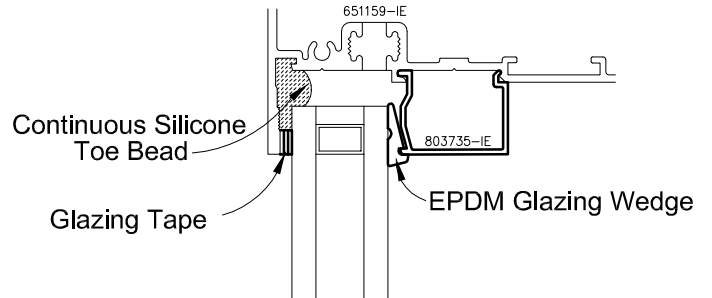
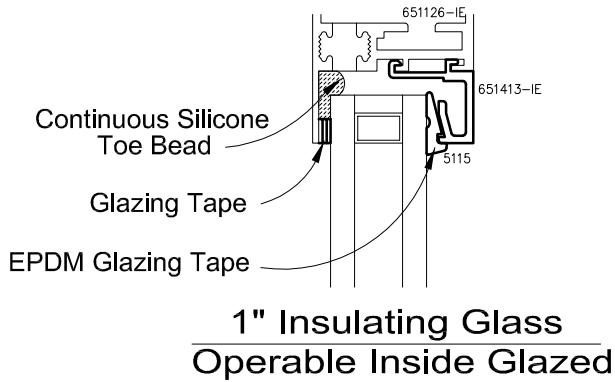
I-values indicated are for frame members only.
Thermal barrier shear reduction of 15% included.



Architectural Sliding Glass Door

D-5100 Series

Non-stocked items shown – Minimum order quantity may apply



⚠ - OBSOLETE TOOLING STATUS



WAUSAU

WINDOW AND WALL
SYSTEMS

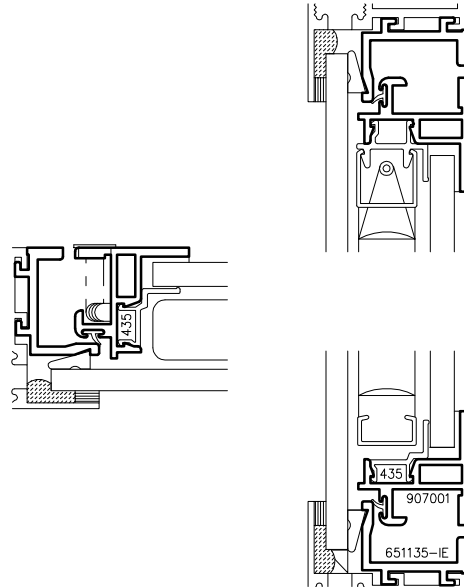
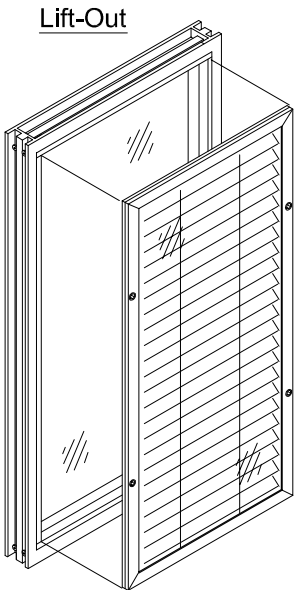
VENETIAN BLIND OPTIONS

Architectural Sliding Glass Door

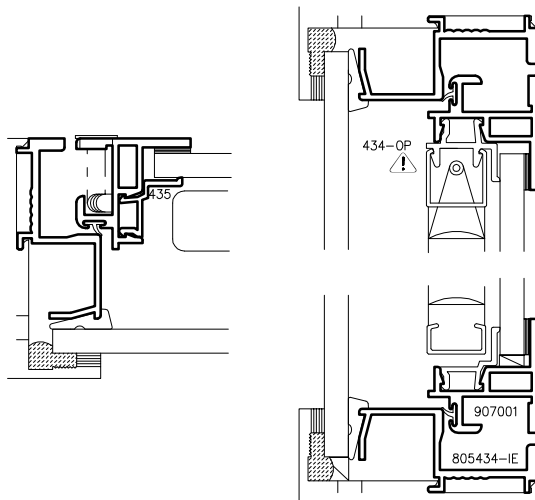
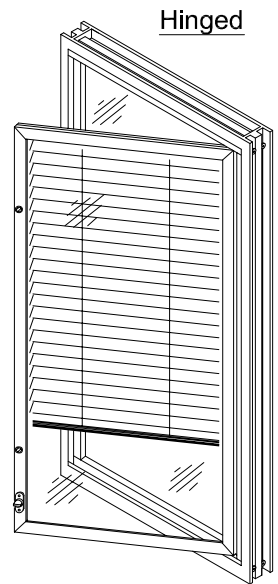
D-5100 Series

Non-stocked items shown – Minimum order quantity may apply

Elevations Viewed From The Interior



5/8" Blind / Dual Glazed
At Operating Sash



5/8" Blind / Dual Glazed
At Fixed Frame

⚠ - OBSOLETE TOOLING STATUS