



**WAUSAU**

WINDOW AND WALL  
SYSTEMS

Blast Hazard Mitigation

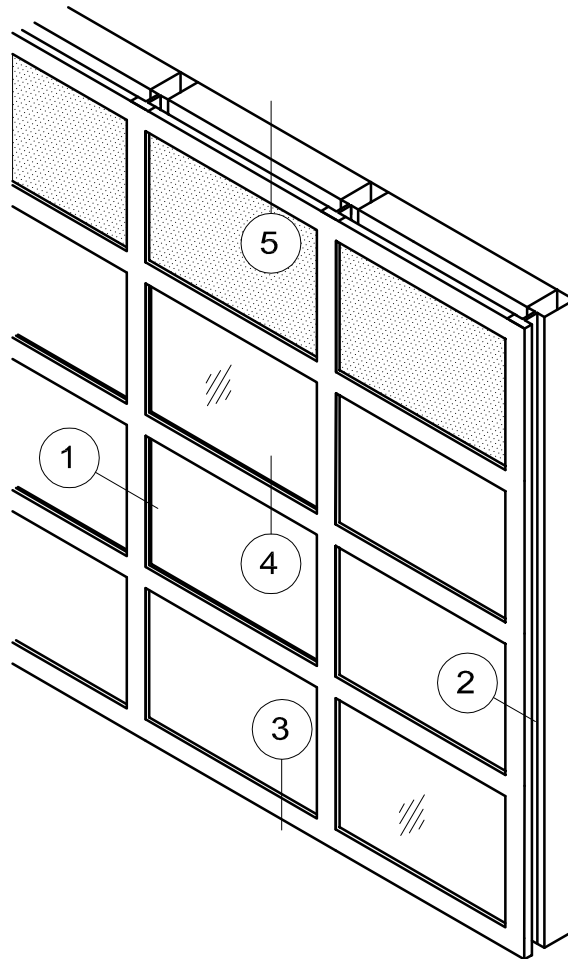
Window Wall & Curtainwall

8000-BHM INvision™ Series

**Section Contents**

Page(s)

Details..... C9a-2 thru C9a-5



# 8000-BHM and 8000i-BHM INvision



**WAUSAU**

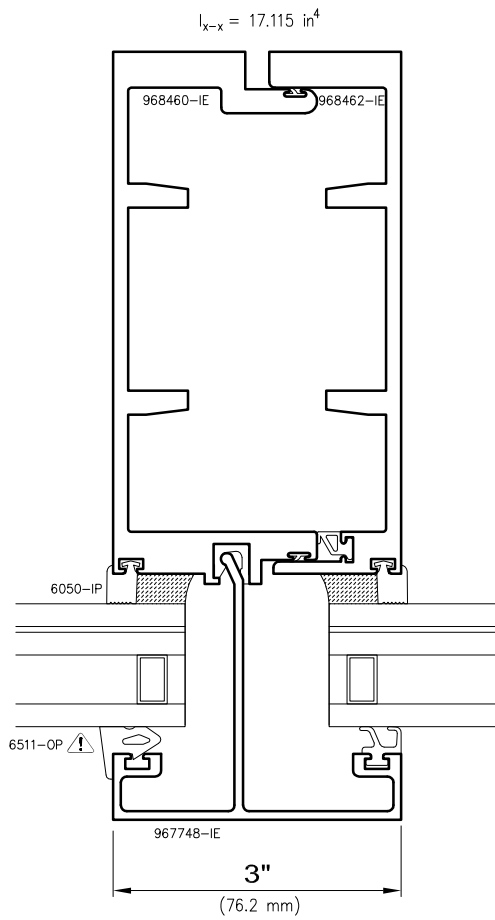
WINDOW AND WALL  
SYSTEMS

**Blast Hazard Mitigation**

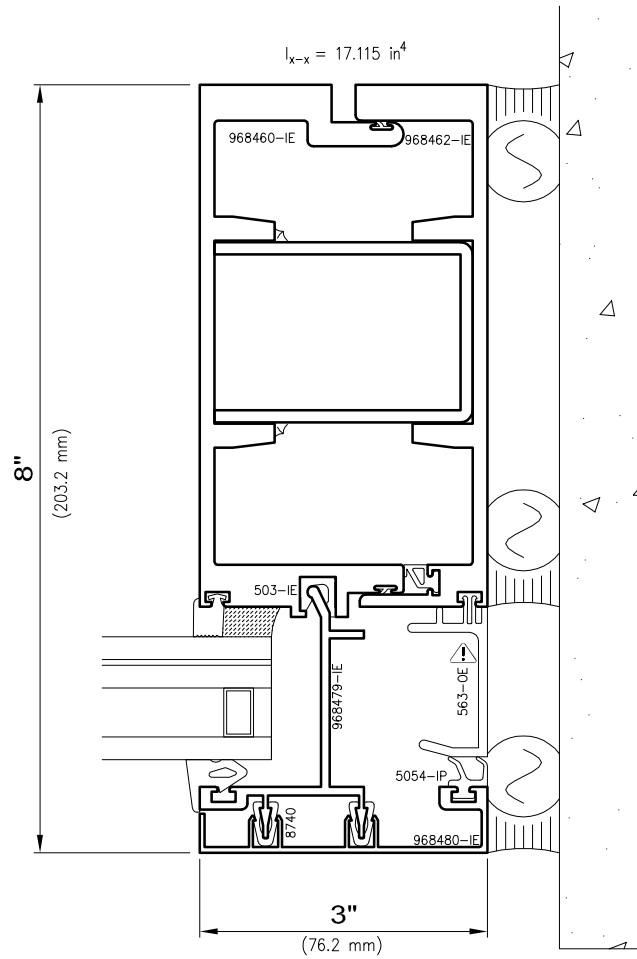
**Window Wall & Curtainwall**

**8000-BHM INvision™ Series**

Non-stocked items shown – Minimum order quantity may apply



**1** Vision/Vision  
Mullion Stack



**2** Vision  
Jamb

⚠ - OBSOLETE TOOLING STATUS



**WAUSAU**

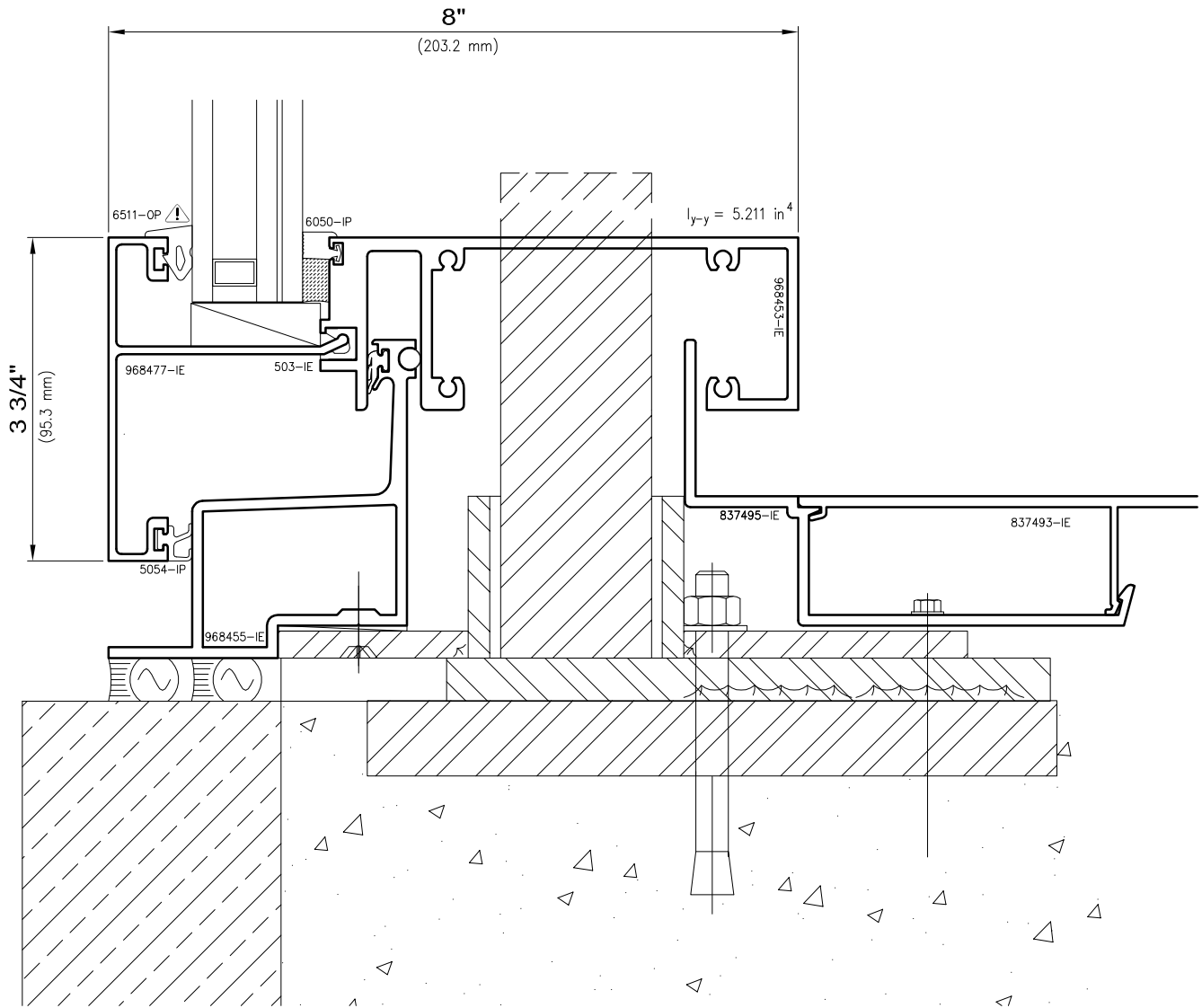
WINDOW AND WALL  
SYSTEMS

**Blast Hazard Mitigation**

**Window Wall & Curtainwall**

**8000-BHM INvision™ Series**

Non-stocked items shown – Minimum order quantity may apply



**3 Vision  
Sill**

⚠ - OBSOLETE TOOLING STATUS

I<sub>y-y</sub> - Values are for Glass Load

SCALE: 6" = 1'-0"

**C9a-3**

© 2015 Apogee Wausau Group, Inc.



**WAUSAU**

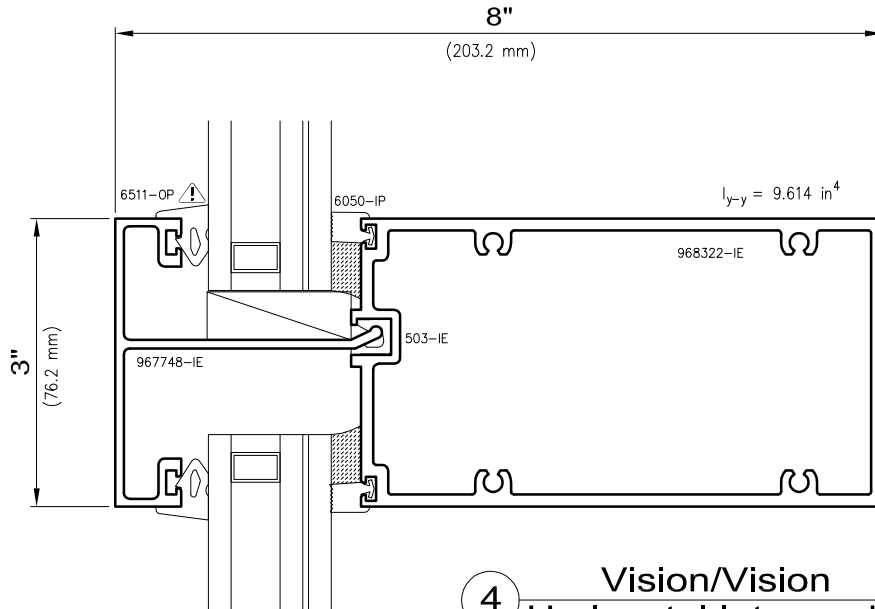
WINDOW AND WALL  
SYSTEMS

Blast Hazard Mitigation

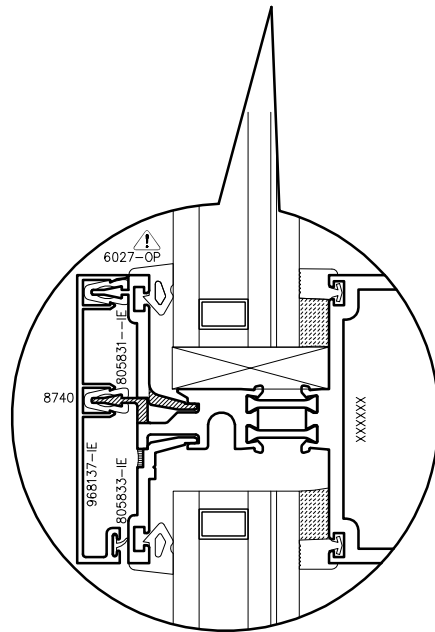
Window Wall & Curtainwall

8000-BHM INvision™ Series

Non-stocked items shown – Minimum order quantity may apply



4 Vision/Vision  
Horizontal Intermediate



4a Alternate  
Polyamide Thermal Barrier

⚠ - OBSOLETE TOOLING STATUS

Iyy-Values are for Glass Load



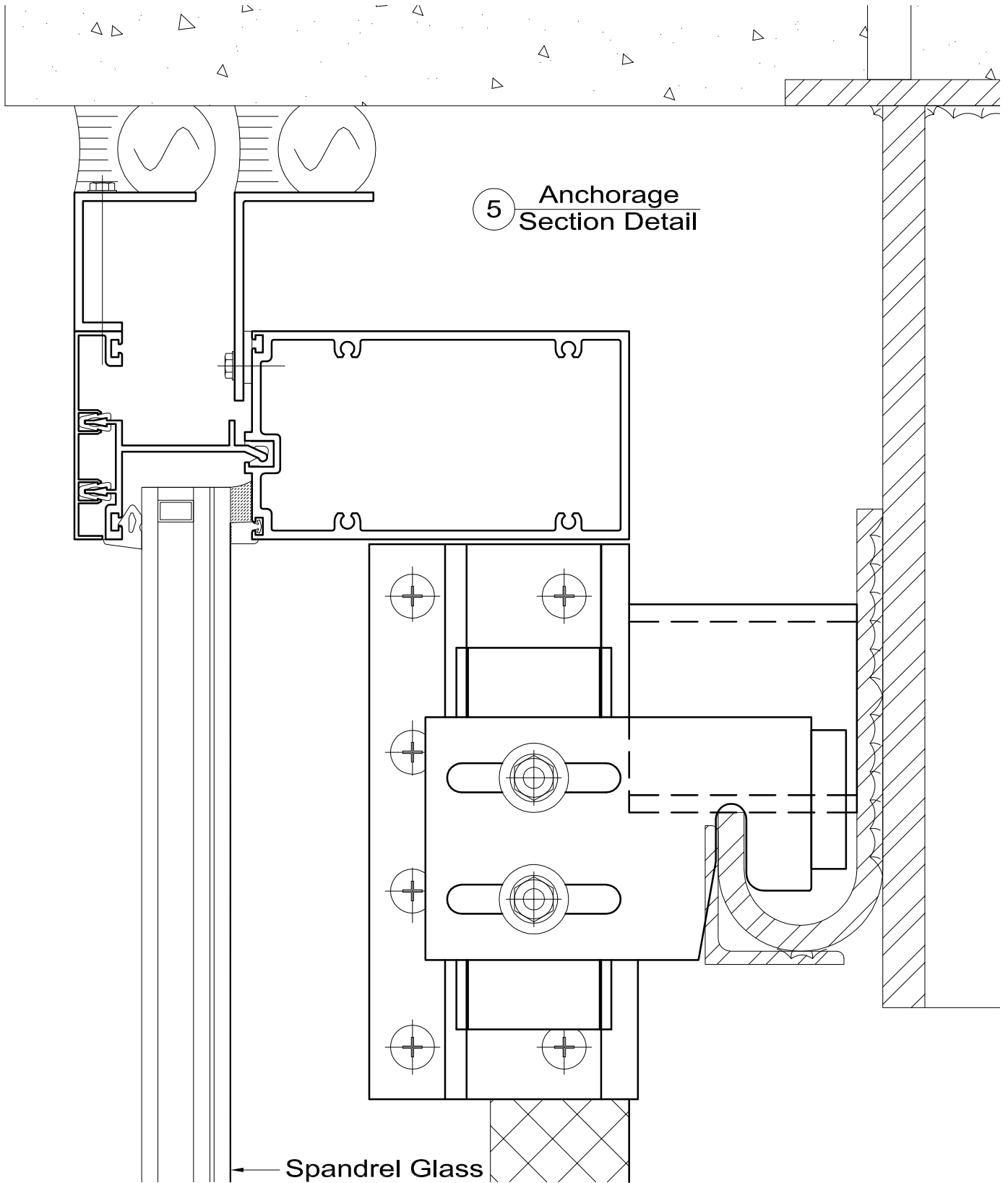
**WAUSAU**

WINDOW AND WALL  
SYSTEMS

Anchorage

Window Wall & Curtainwall

8000-BHM INvision™ Series



5 Anchorage  
Section Detail

Spandrel Glass