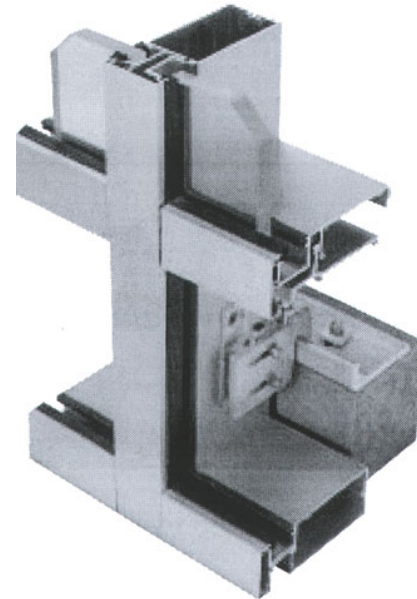
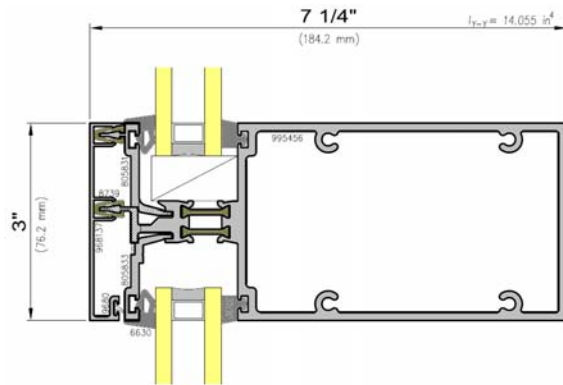


Curtainwall and Window Wall 7250- and 7250i-UW INvision™ Series Thermal Unitized

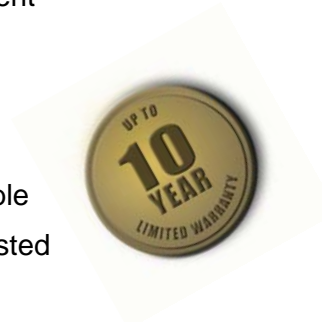


Features

- ✓ Engineered to meet typical institutional buildings' span and wind load requirements
- ✓ Interlocking frame design accommodates seismic, live load and thermal building movements
- ✓ Two lines of defense against air and water infiltration- Pressure-equalized rain screen design
- ✓ Water control and drainage at each unit
- ✓ Two-level thermal barrier frames (7250i-UW) or thermally-improved (7250-UW)
- ✓ Captured, vertical or four-side structural glazed
- ✓ Glazing and sealing in a controlled factory environment
- ✓ Provision for easy hoisting and handling
- ✓ Accepts up to 3/4" total vertical movement
- ✓ "Jack-bolt" anchor option for ease of installation
- ✓ Exterior sun shades and interior light shelves available
- ✓ NFRC and Component Modeling Approach (CMA) listed
- ✓ High recycled content aluminum framing

Performance

Allowable Air	0.06 cfm/sqft at 6.24 psf
Water	15 psf
NFRC U-Factor	0.32 to 0.54 BTU/hr.sqft.°F
CRF_f	73 to 74
STC	31 to 34 (est)



DISCLAIMER: Wausau Window and Wall Systems takes no responsibility for product selection or application, including, but not limited to, compliance with building codes, safety codes, laws, merchantability or fitness for a particular purpose; and further disclaims all liability for the use, in whole or in part, of this Technical Guide in preparation of project specifications and/or other documents. Technical Guides are subject to change at any time, without notice, and at Wausau's sole discretion. ©2014 Apogee Wausau Group, Inc.