



**WAUSAU**

WINDOW AND WALL  
SYSTEMS

**CURTAINWALL ELEVATION**

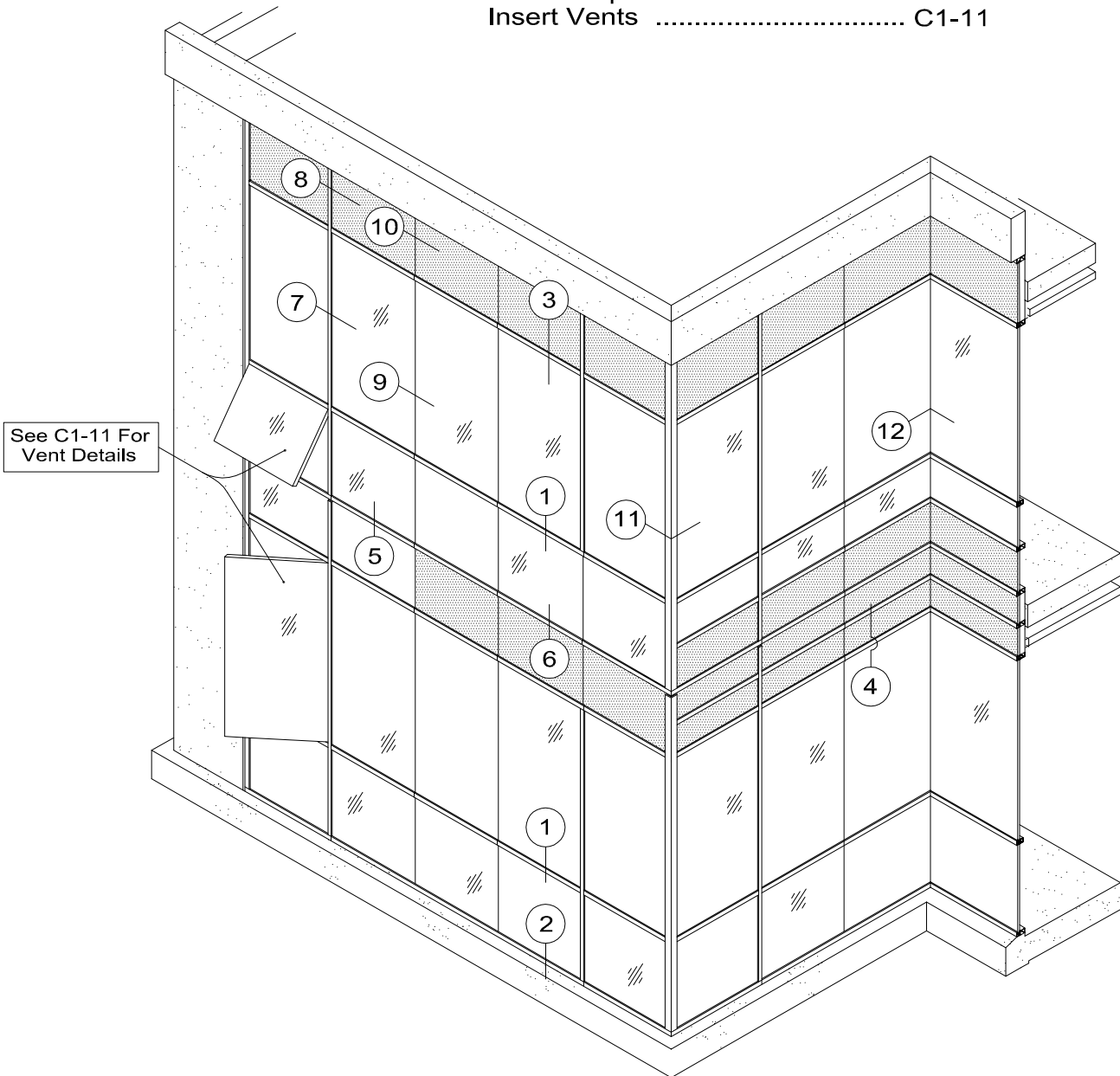
**Curtainwall**

**7250-UW INvision™ Series**

**Section Contents**

**Page(s)**

Details .....	C1-2 thru C1-8
Glazing Options .....	C1-9
Anchor Options .....	C1-10
Insert Vents .....	C1-11



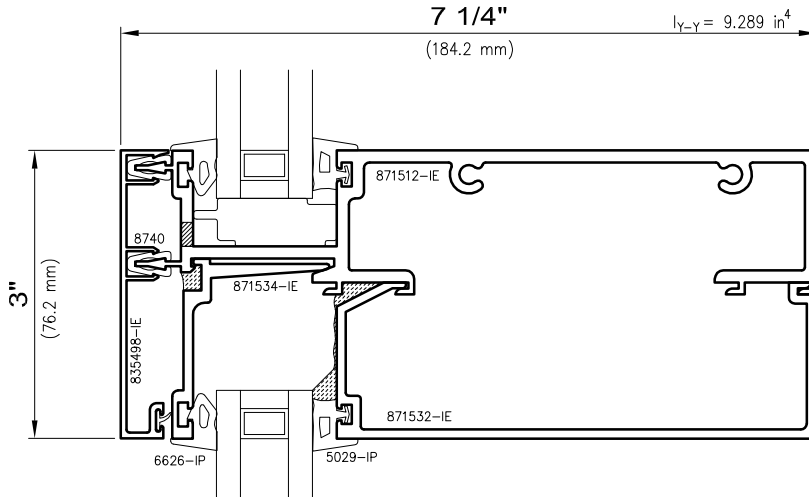
# 7250-UW INvision™ Unitized Wall



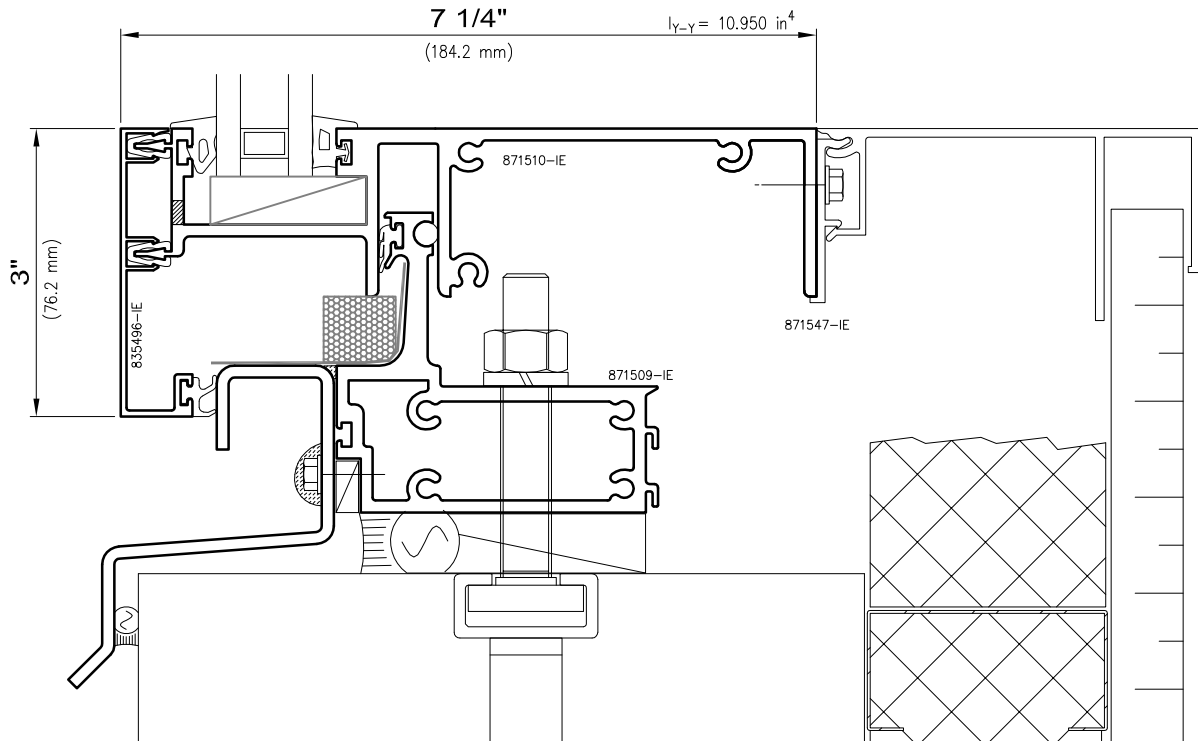
**Curtainwall**

**7250-UW INvision™ Series**

Non-stocked items shown – Minimum order quantity may apply



1 Vision/Vision  
Horizontal Intermediate



2 Vision  
Sill

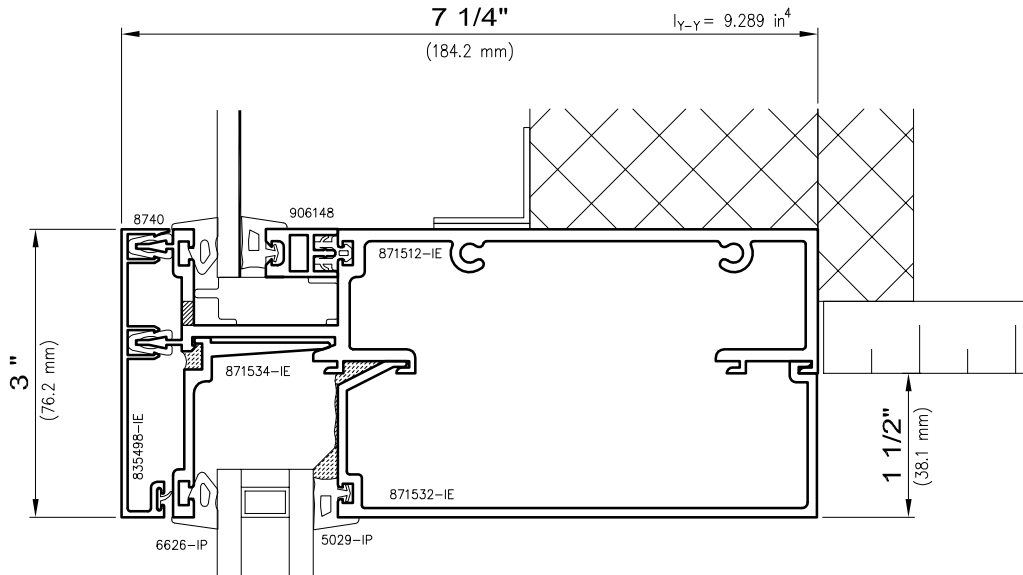
*I<sub>y-y</sub>*—Values are for Glass Load



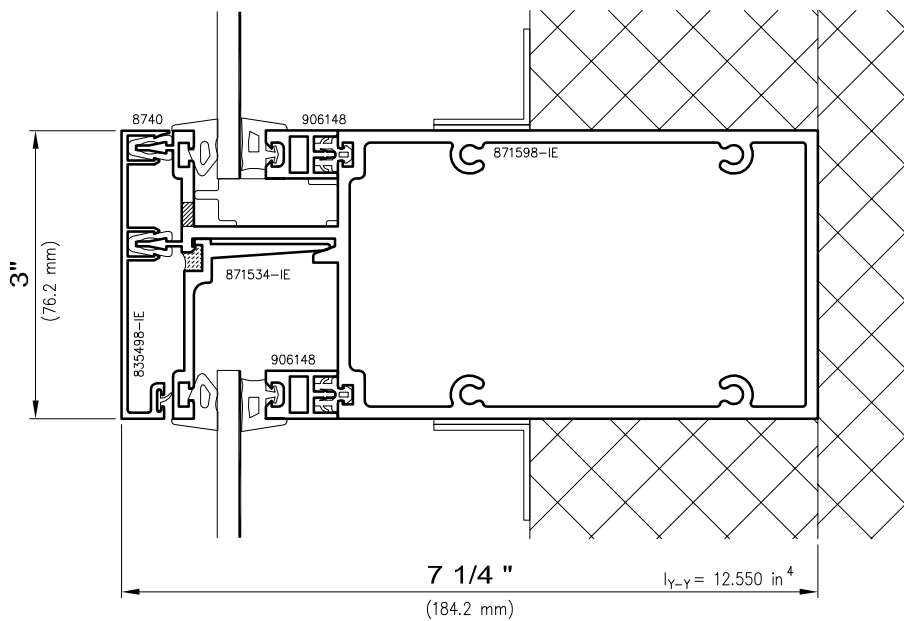
**Curtainwall**

**7250-UW INvision™ Series**

Non-stocked items shown – Minimum order quantity may apply



**3 Spandrel/Vision  
Horizontal Intermediate**



**4 Spandrel/Spandrel  
Horizontal Intermediate**

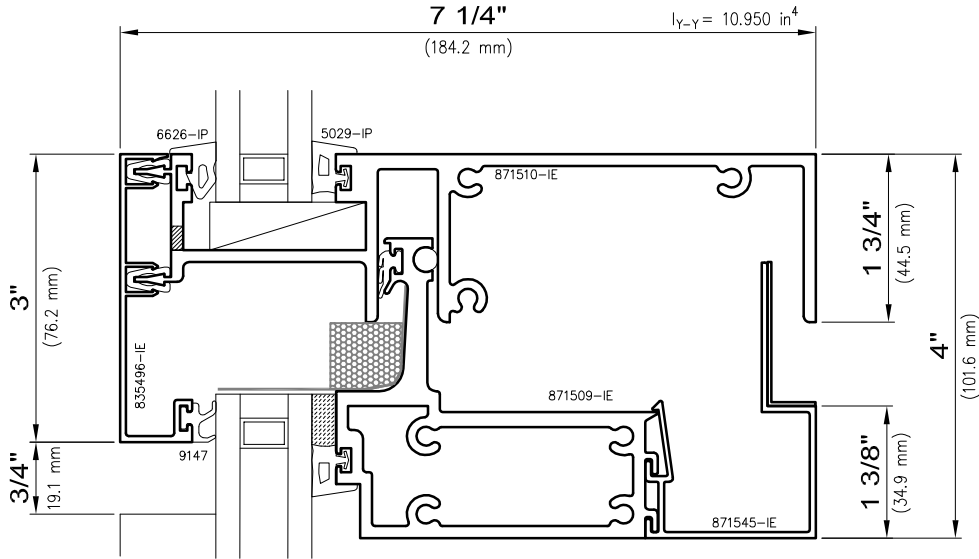
I<sub>y-y</sub>—Values are for Glass Load



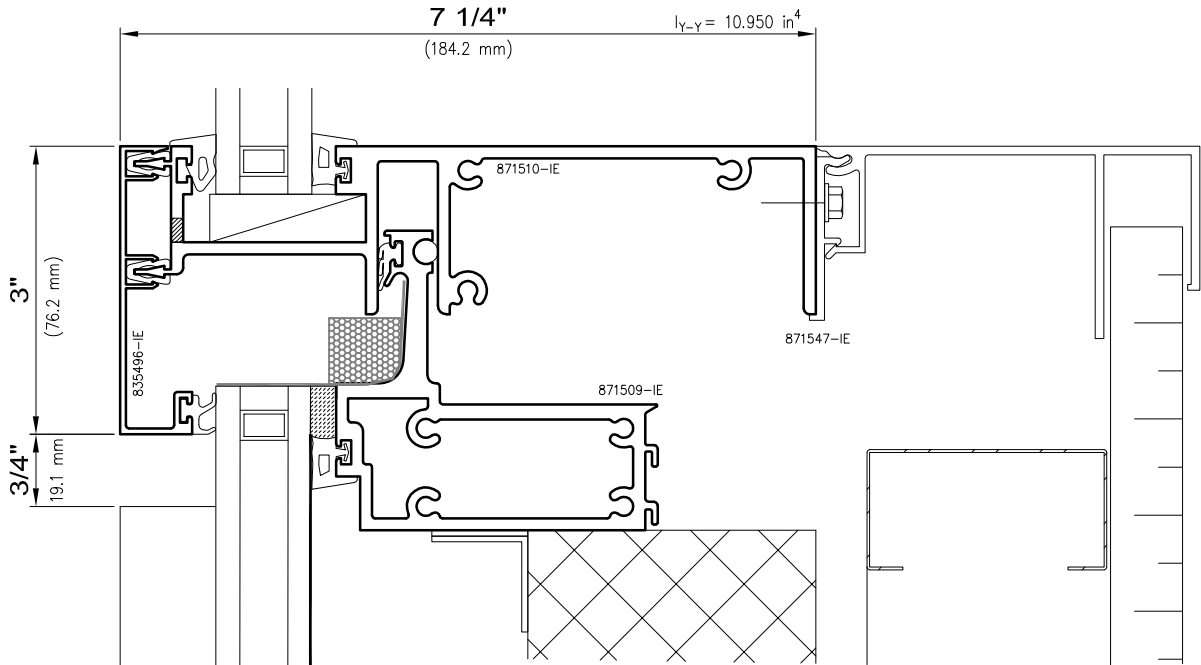
**Curtainwall**

**7250-UW INvision™ Series**

Non-stocked items shown – Minimum order quantity may apply



**5** Vision/Vision  
Horizontal Stack



**6** Vision/Spandrel  
Horizontal Stack

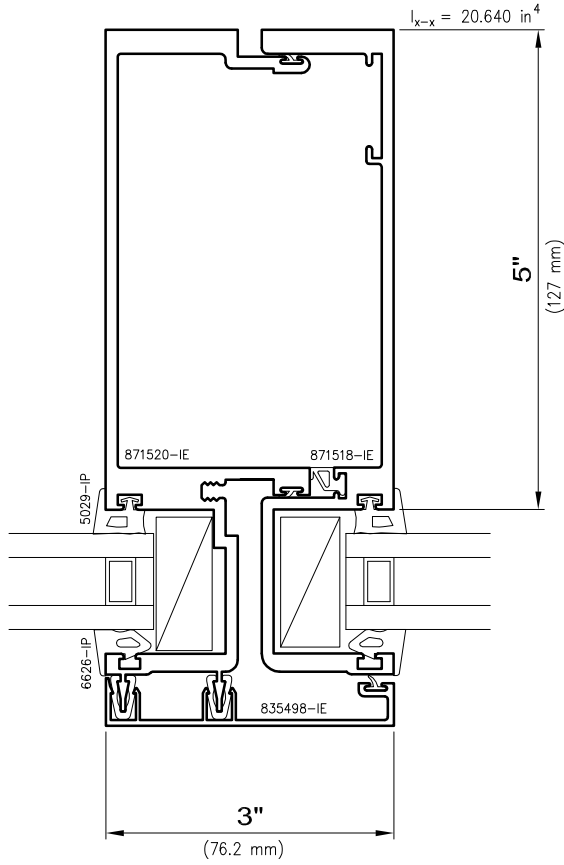
I<sub>y-y</sub>—Values are for Glass Load



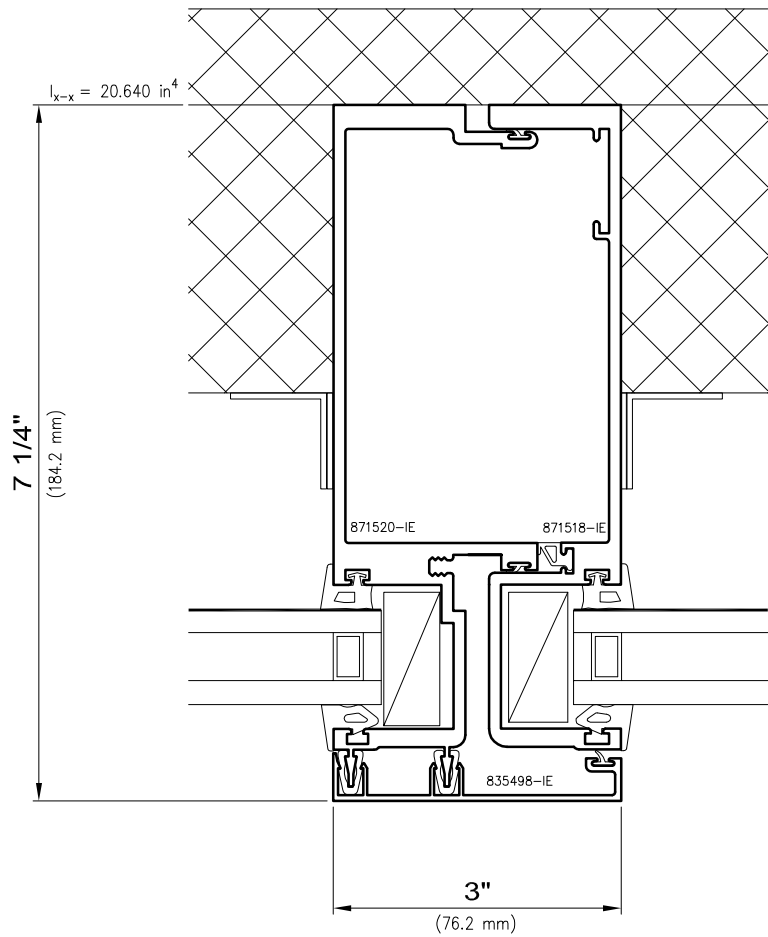
**Curtainwall**

**7250-UW INvision™ Series**

Non-stocked items shown – Minimum order quantity may apply



**7** Vision/Vision  
Mullion Stack



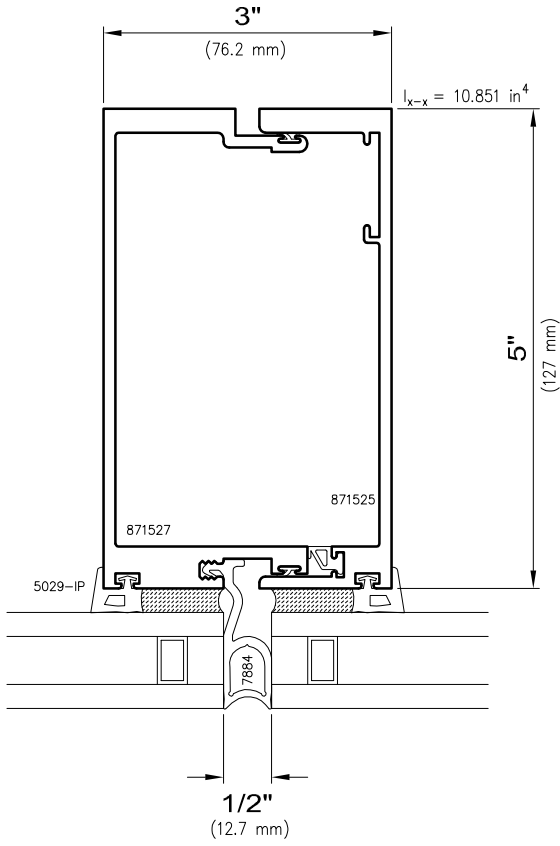
**8** Spandrel/Spandrel  
Mullion Stack



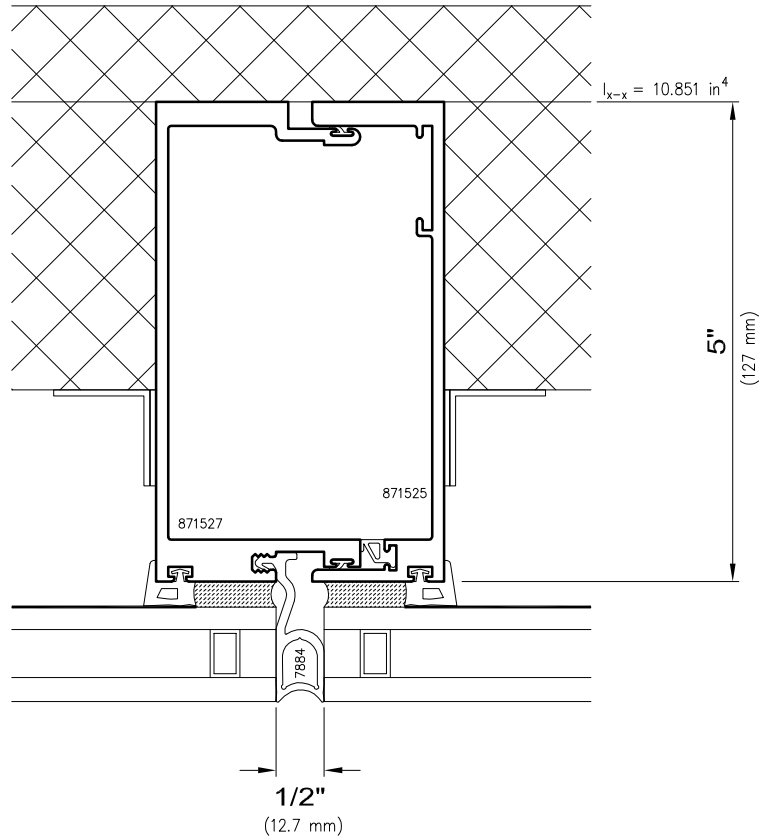
**Curtainwall**

**7250-UW INvision™ Series**

Non-stocked items shown – Minimum order quantity may apply



**9 Vision/Vision  
Mullion Stack**



**10 Spandrel/Spandrel  
Mullion Stack**



**WAUSAU**

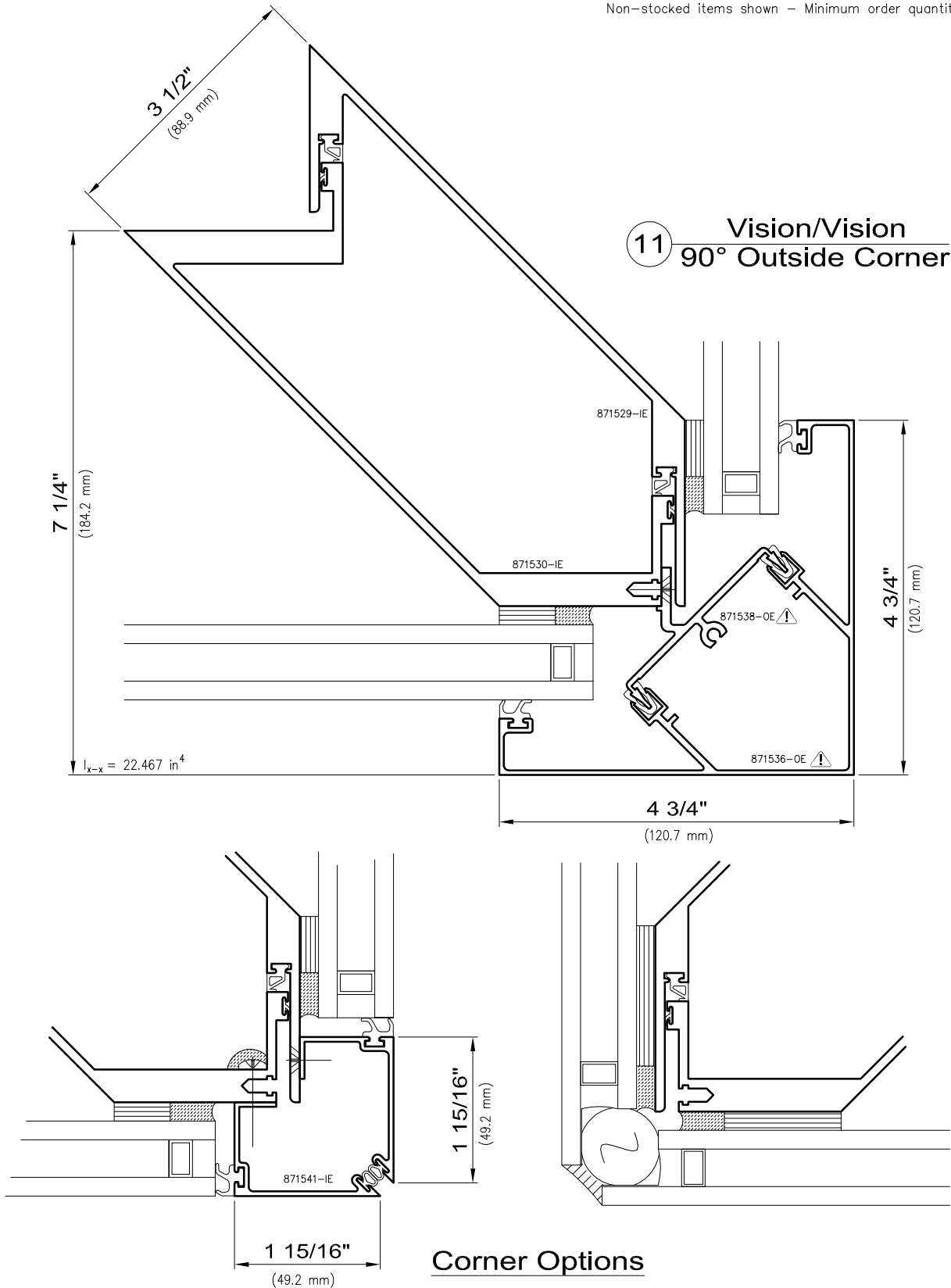
WINDOW AND WALL  
SYSTEMS

UNITIZED

Curtainwall

7250-UW INvision™ Series

Non-stocked items shown – Minimum order quantity may apply



⚠ - OBSOLETE TOOLING STATUS



**WAUSAU**

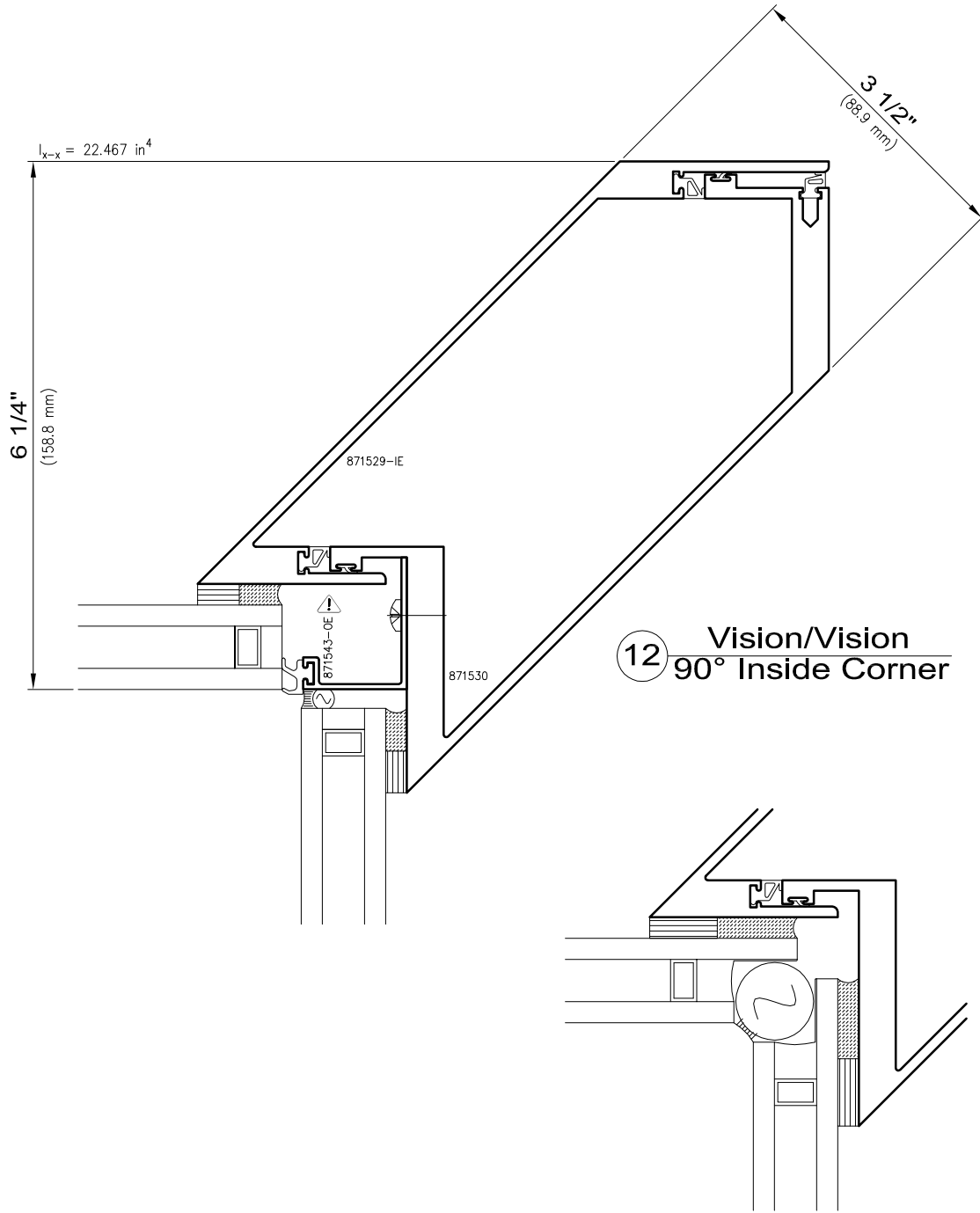
WINDOW AND WALL  
SYSTEMS

UNITIZED

**Curtainwall**

**7250-UW INvision™ Series**

Non-stocked items shown – Minimum order quantity may apply



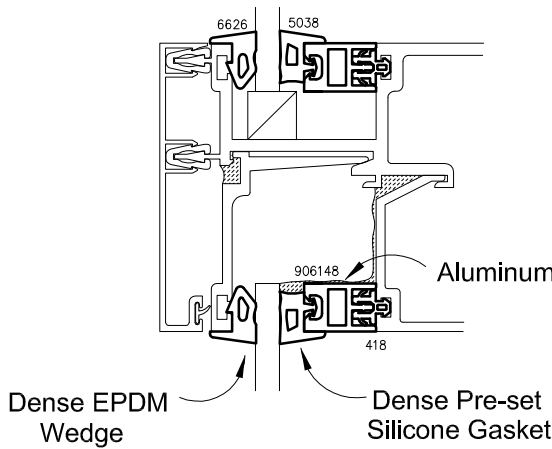
- OBSOLETE TOOLING STATUS



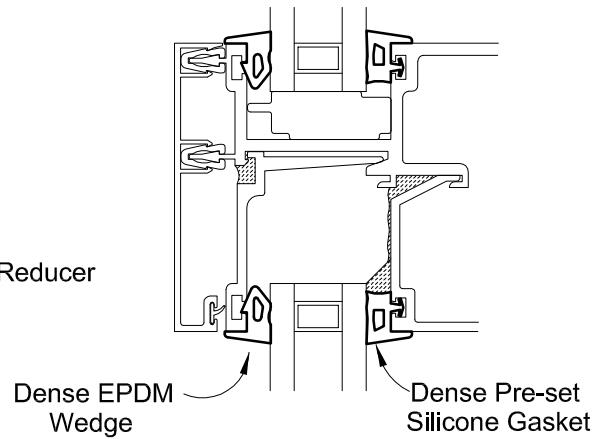


**Curtainwall**

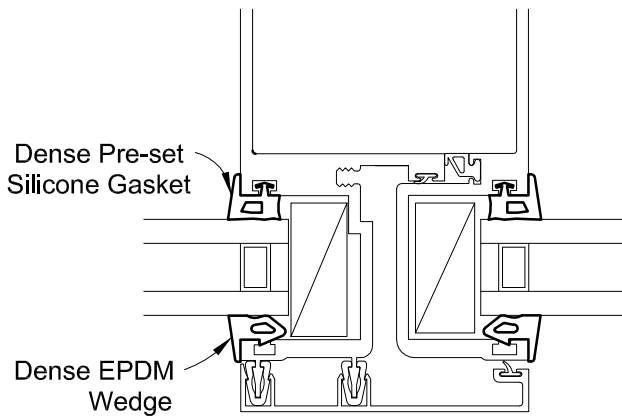
**7250-UW INvision™ Series**



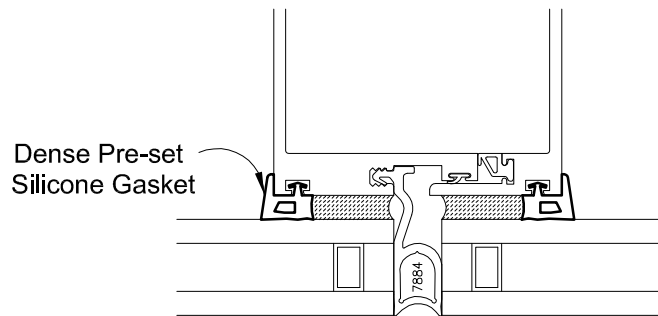
**1/4" Monolithic Glass**  
**Interior or Exterior Glazed**



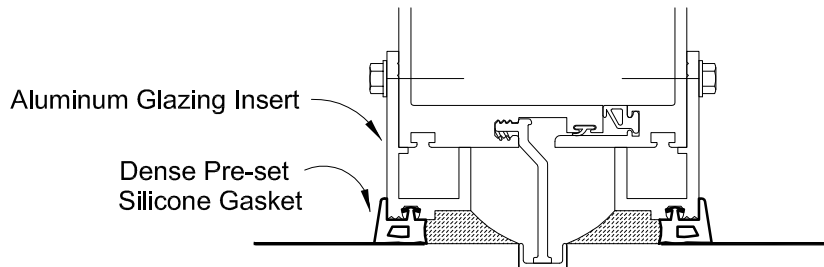
**1" Insulating Glass**  
**Interior or Exterior Glazed**



**1" Insulating Glass**  
**Captured Glazed**



**1" Insulating Glass**  
**Structural Glazed**

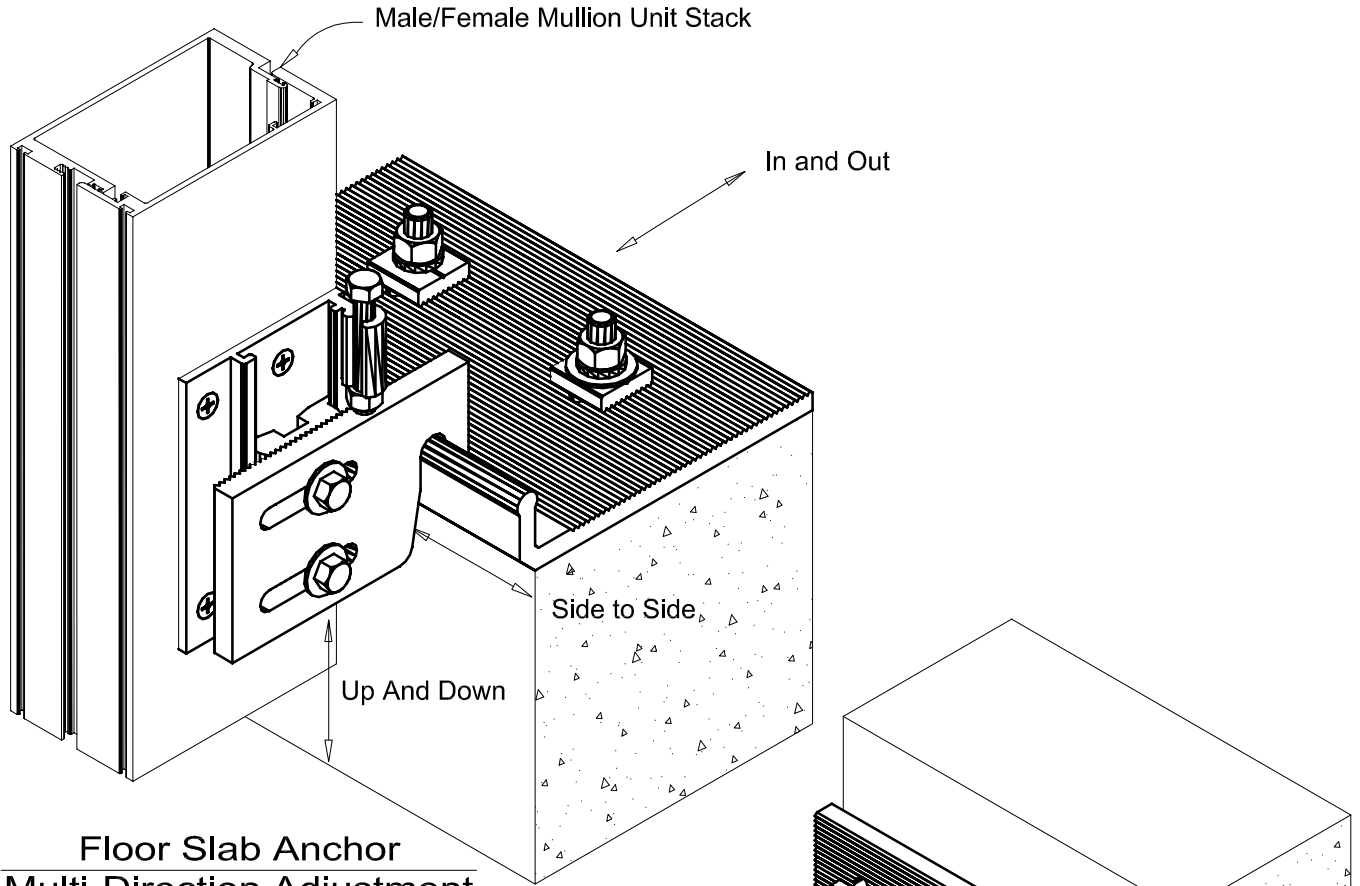


**1/4" Monolithic Spandrel**  
**Structural Glazed**

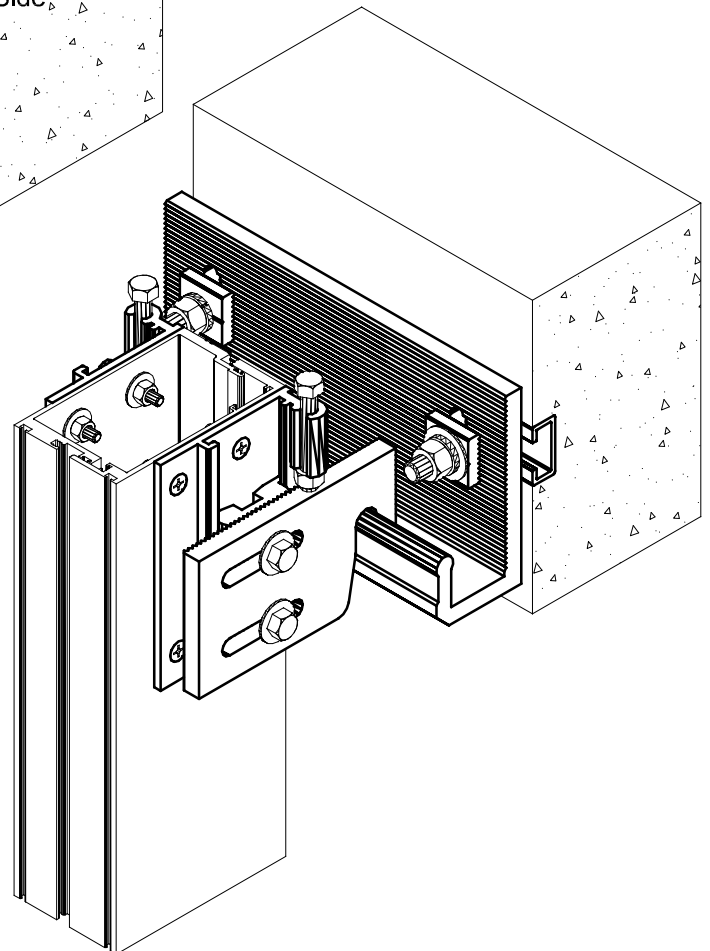


Curtainwall

7250-UW INvision™ Series



Floor Slab Anchor  
Multi-Direction Adjustment



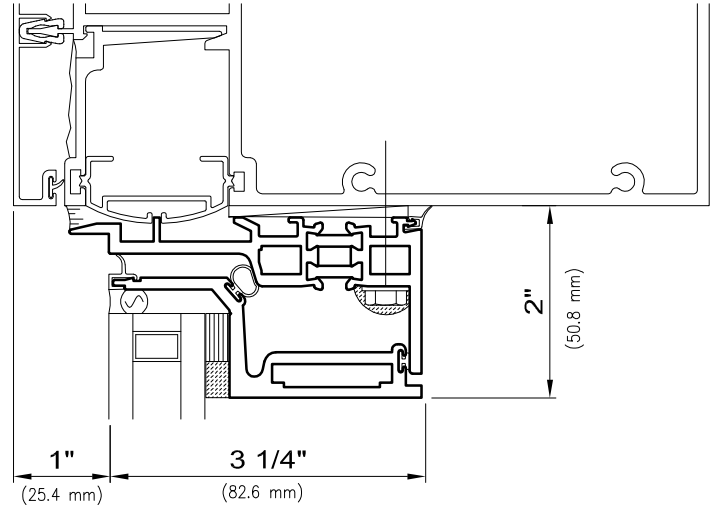
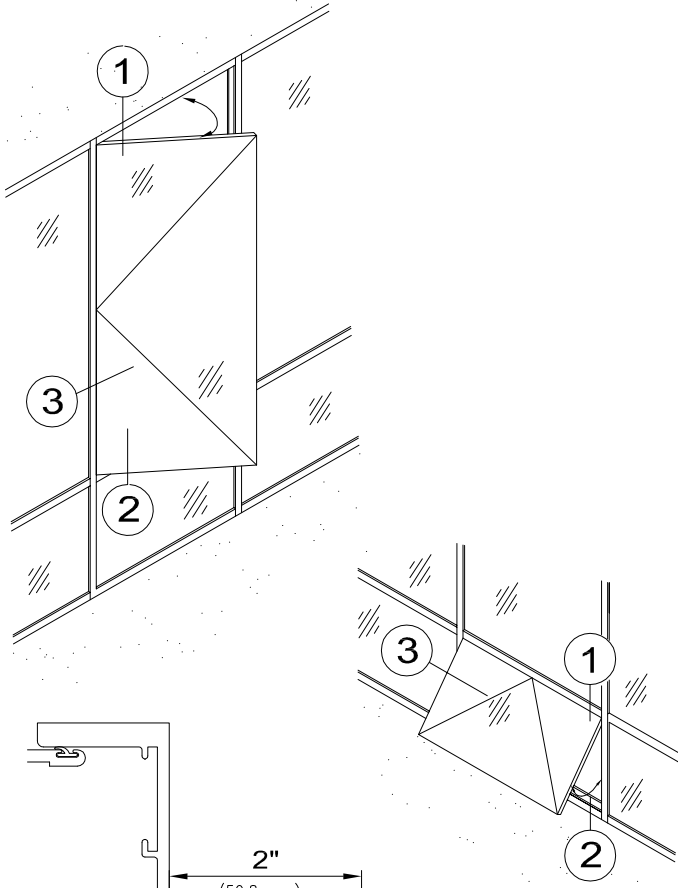
Face Mount Anchor  
Multi-Direction Adjustment



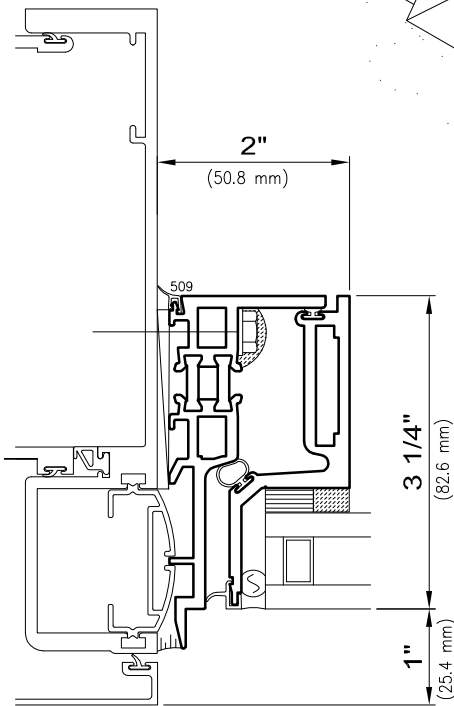
### Curtainwall

### 7250-UW INvision™ Series

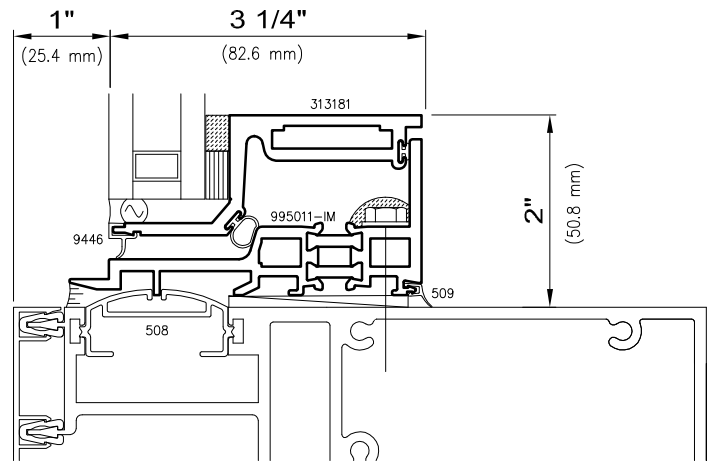
Non-stocked items shown – Minimum order quantity may apply



1



3



2