



**WAUSAU**

WINDOW AND WALL  
SYSTEMS

Window Wall Elevation

Unitized Window Wall

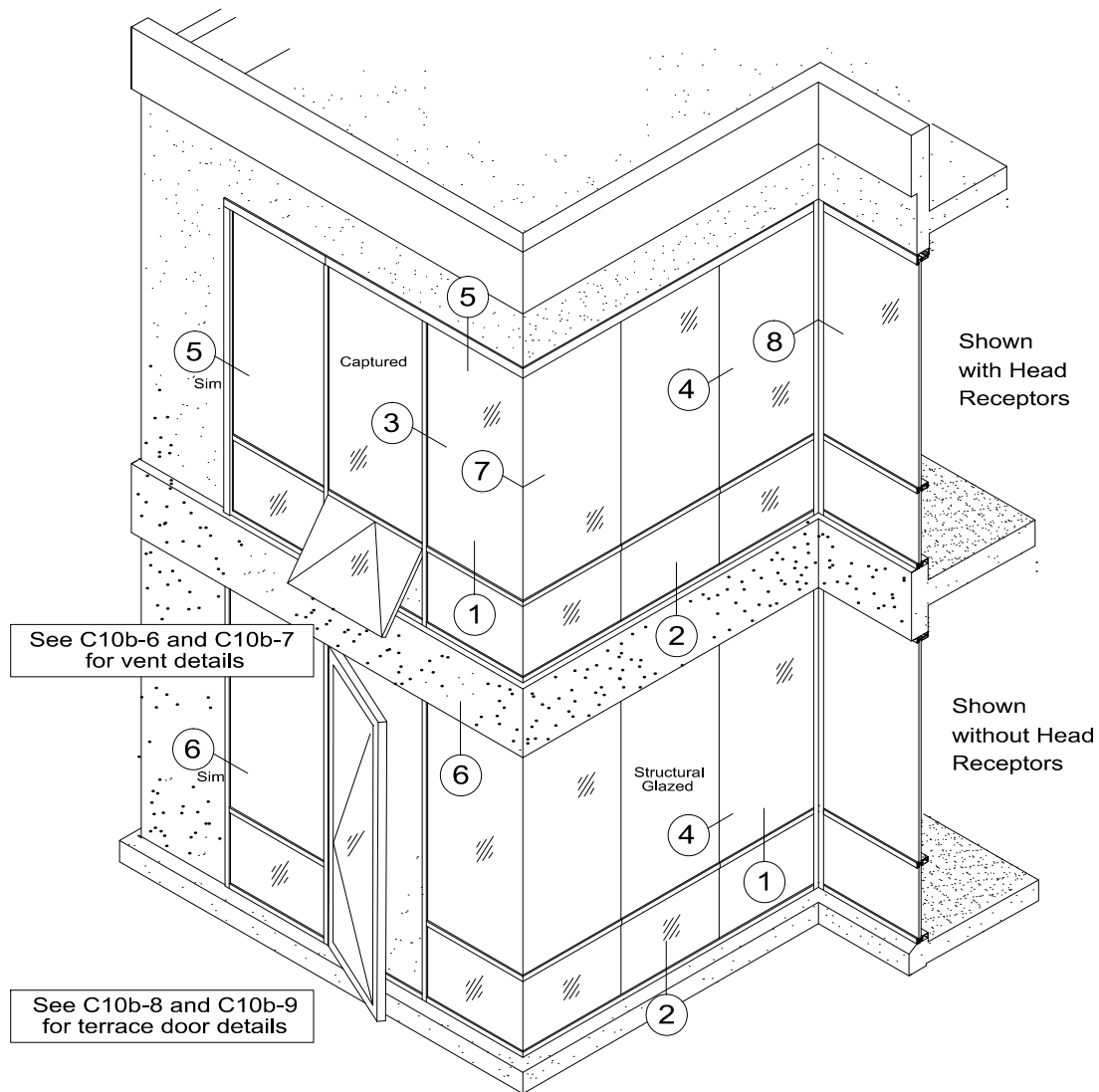
5250i and 6250i-HRX INvision™ Series

24.0mm Thermal Barrier

**Section Contents**

Page(s)

Details.....	C10b-2 thru C10b-5
Insert Vents .....	C10b-6 and C10b-7
Terrace Doors .....	C10b-8 and C10b-9



# 5250i-HRX and 6250i-HRX INvision

24.0 mm Thermal Barrier



**WAUSAU**

WINDOW AND WALL  
SYSTEMS

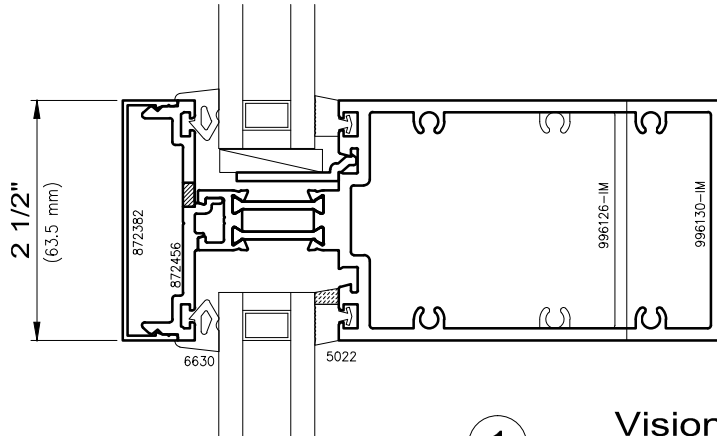
Unitized

**Unitized Window Wall**

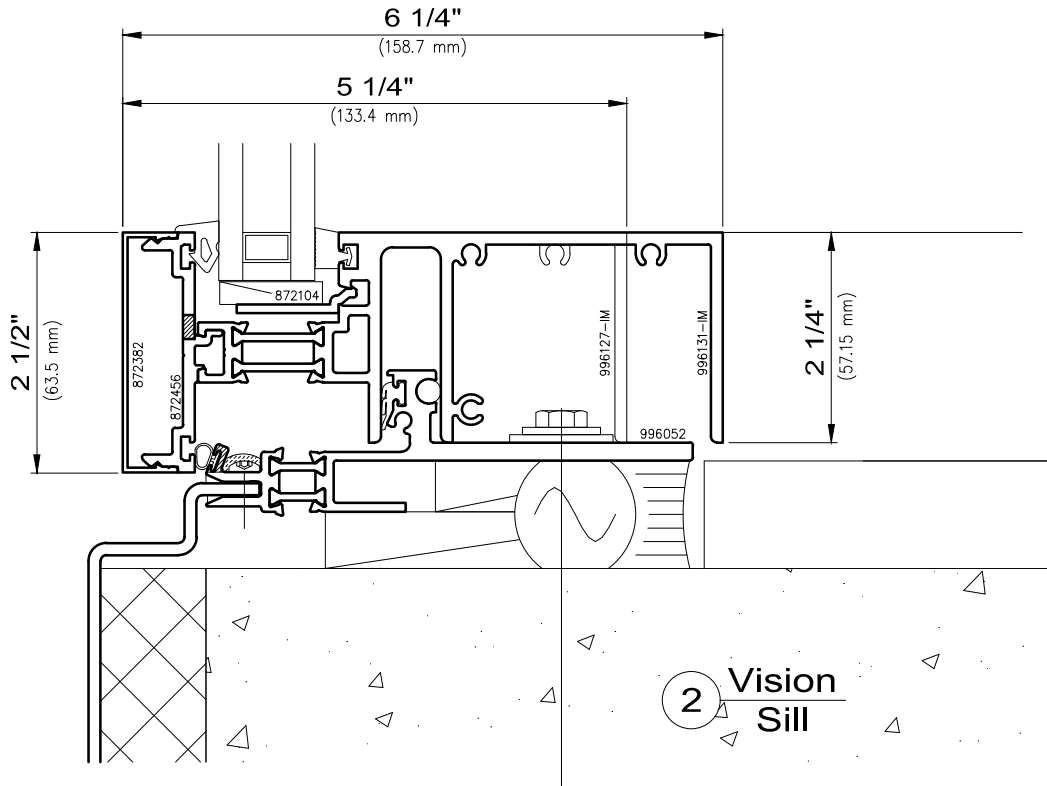
**5250i and 6250i-HRX INvision™ Series**

Non-stocked items shown – Minimum order quantity may apply

24.0mm Thermal Barrier



**1** Vision/Vision  
Horizontal Intermediate





**WAUSAU**

WINDOW AND WALL  
SYSTEMS

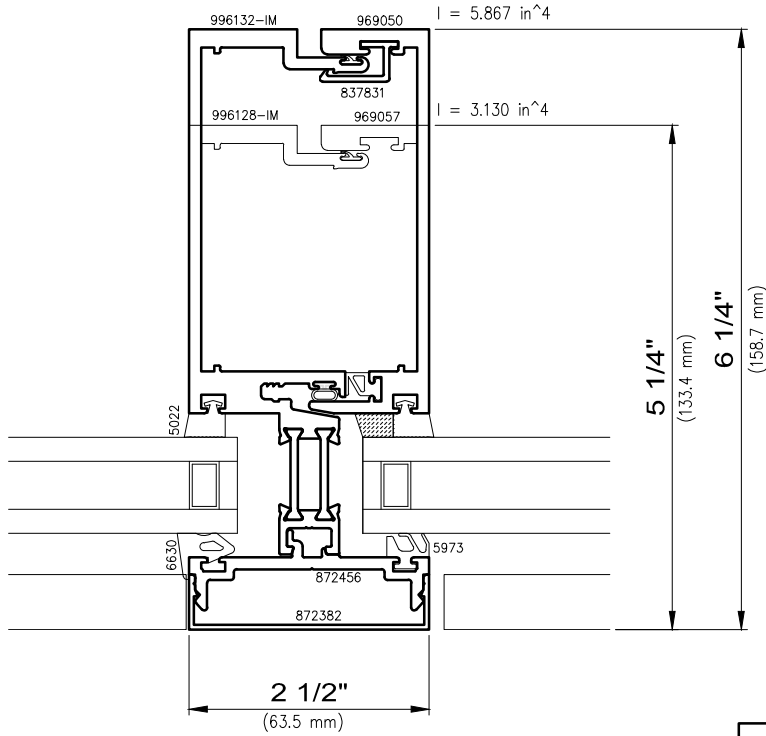
Unitized

**Unitized Window Wall**

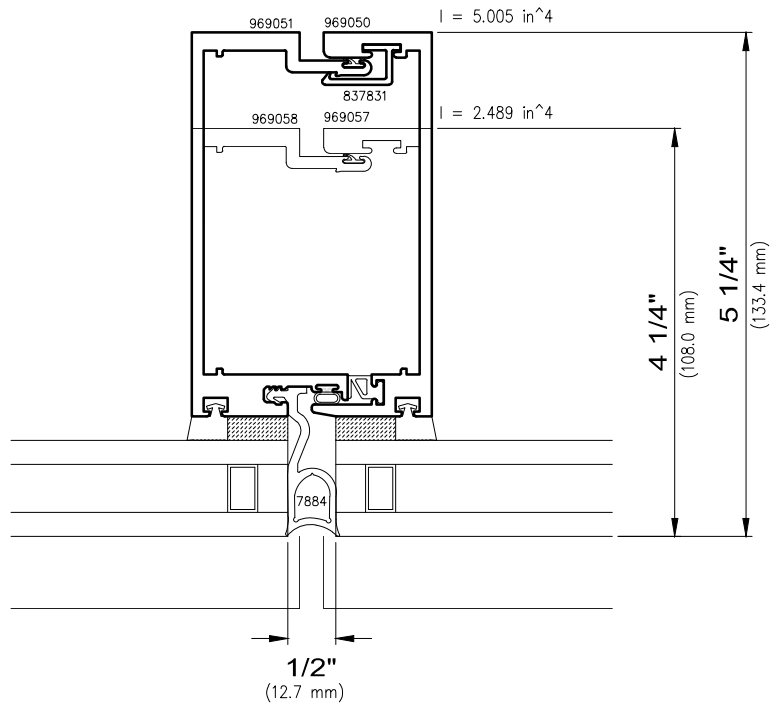
**5250i and 6250i-HRX INvision™ Series**

Non-stocked items shown – Minimum order quantity may apply

24.0mm Thermal Barrier



**3 Vision/Vision Mullion Stack**



**4 Vision/Vision Mullion Stack**

I-values indicated are for frame members only.  
Thermal barrier shear reduction of 10% included.



**WAUSAU**

WINDOW AND WALL  
SYSTEMS

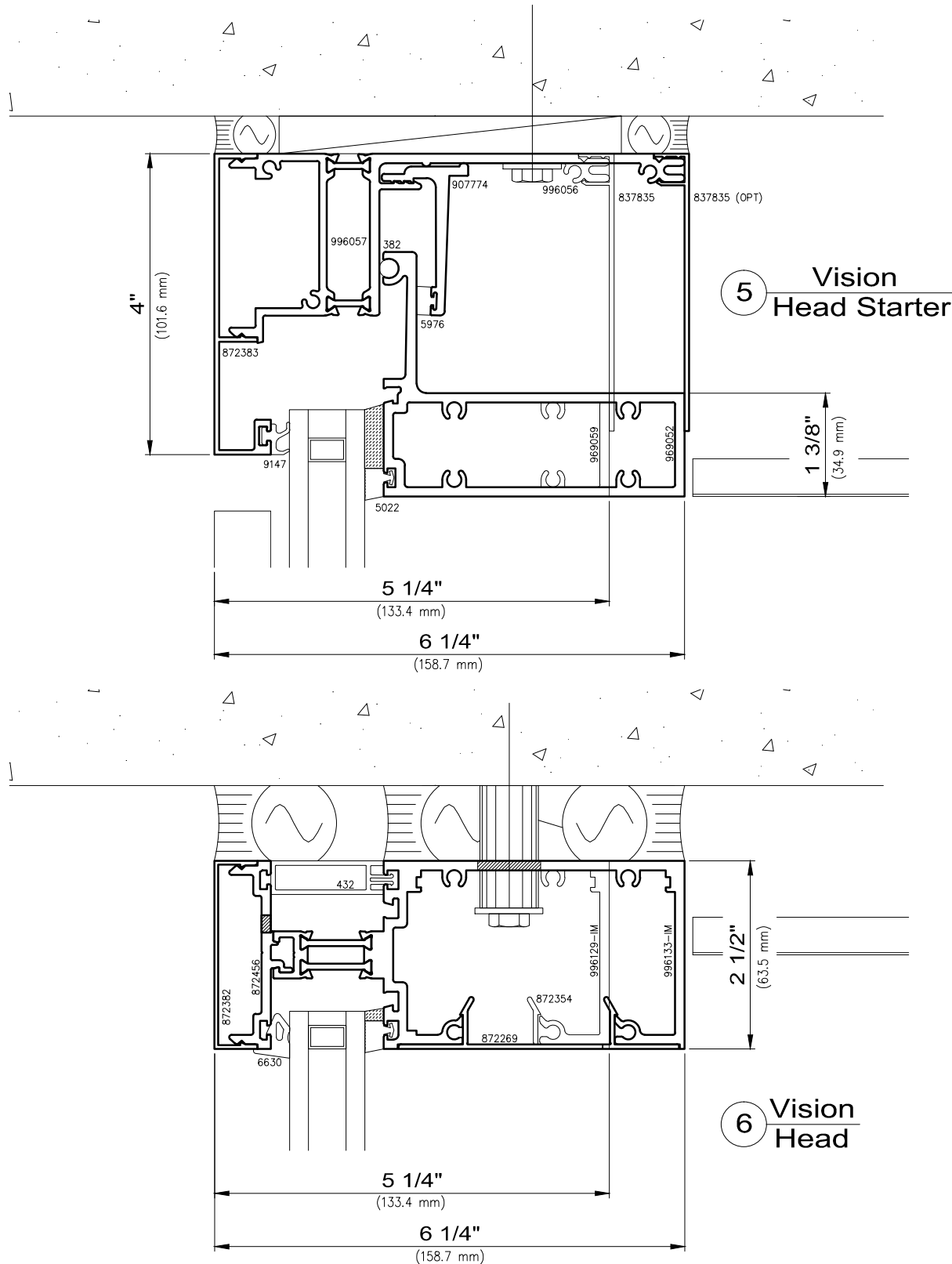
Unitized

**Unitized Window Wall**

**5250i and 6250i-HRX INvision™ Series**

Non-stocked items shown – Minimum order quantity may apply

24.0mm Thermal Barrier





**WAUSAU**

WINDOW AND WALL  
SYSTEMS

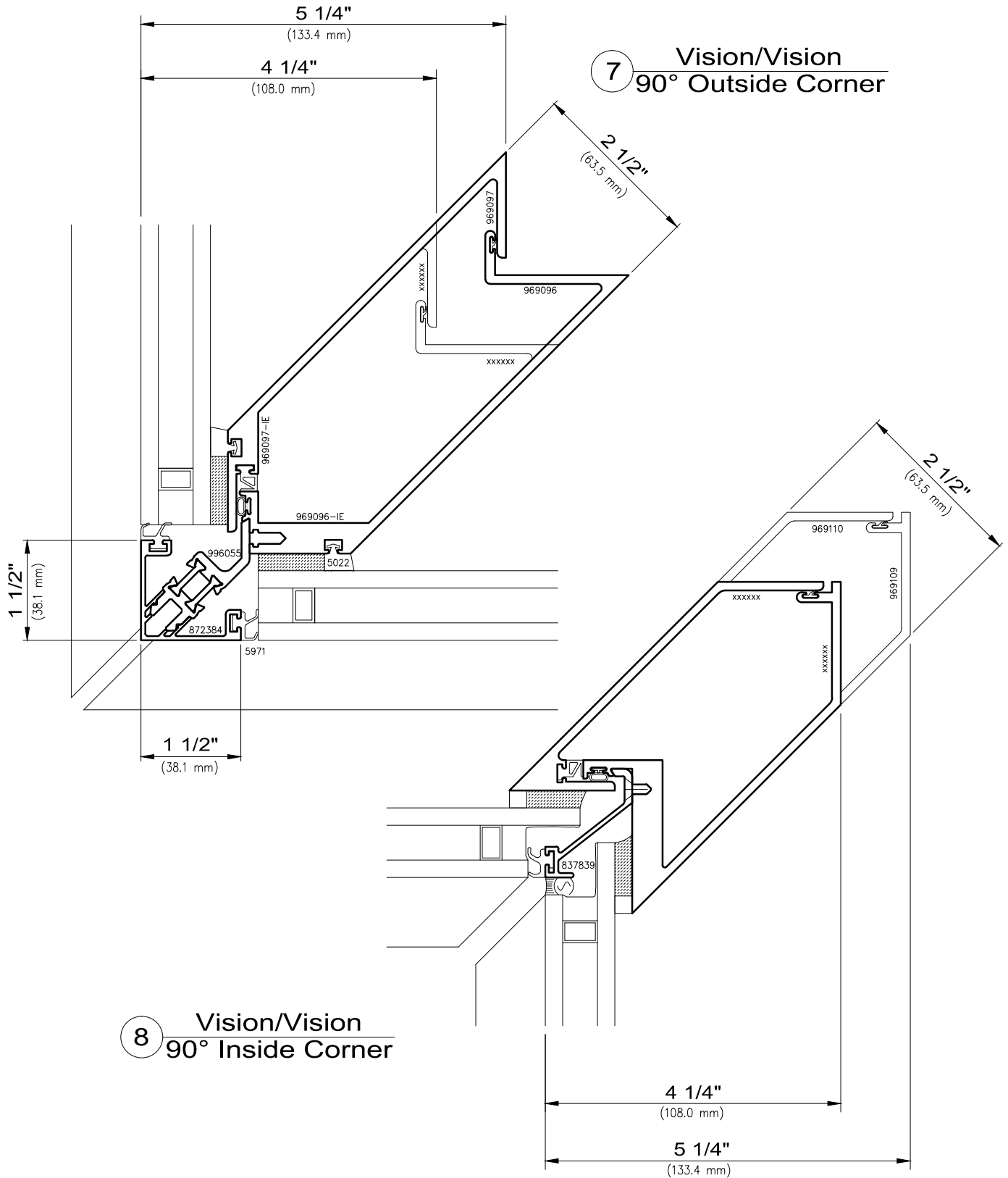
Unitized

**Unitized Window Wall**

**5250i and 6250i-HRX INvision™ Series**

Non-stocked items shown – Minimum order quantity may apply

24.0mm Thermal Barrier

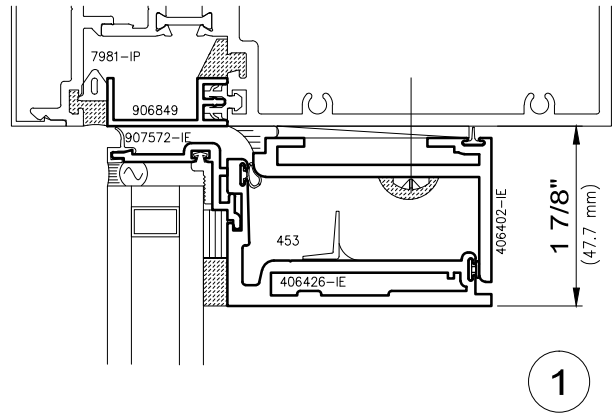
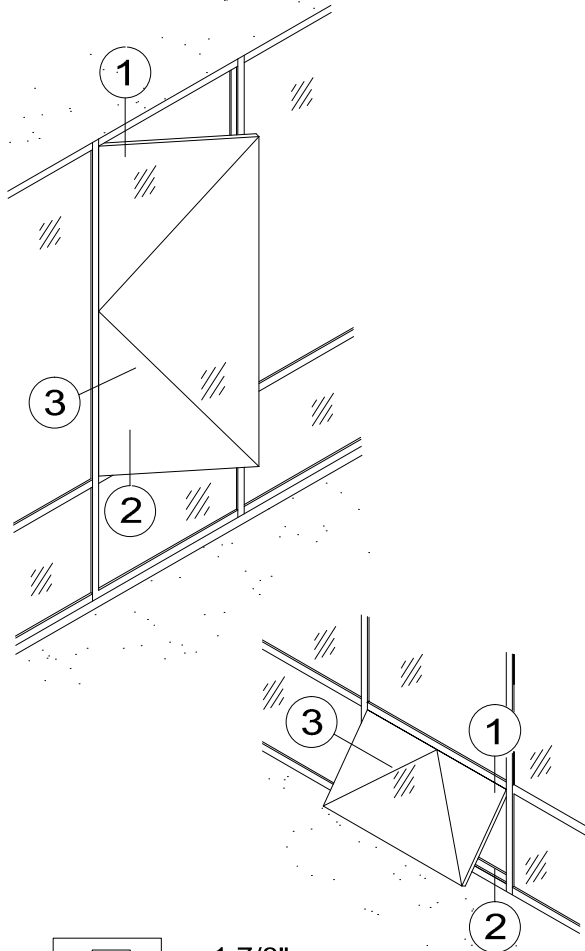


Unitized Window Wall

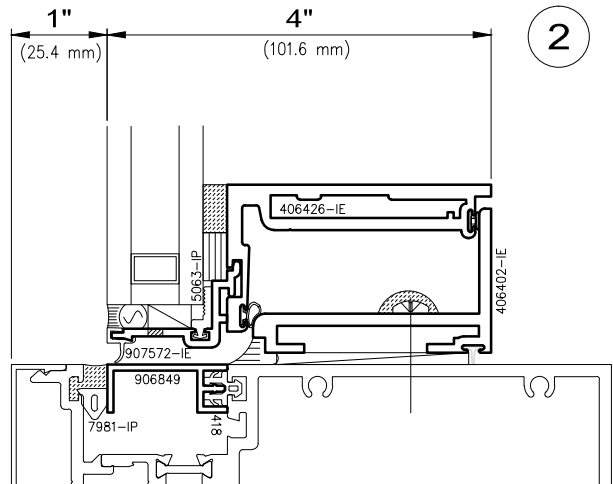
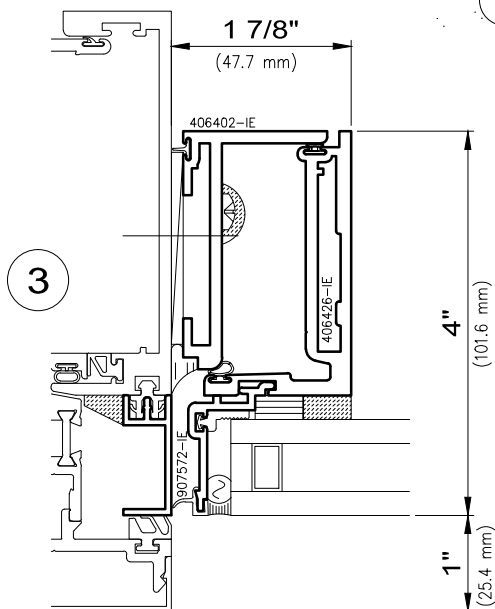
5250i and 6250i-HRX INvision™ Series

Non-stocked items shown – Minimum order quantity may apply

Shown with 6250i-HR framing



Vent and frame die profiles vary depending on hardware selection

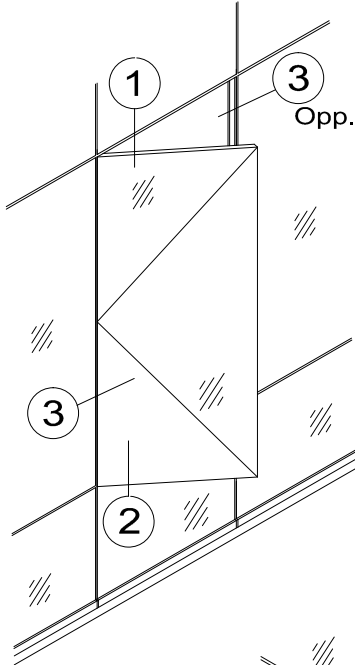


Unitized Window Wall

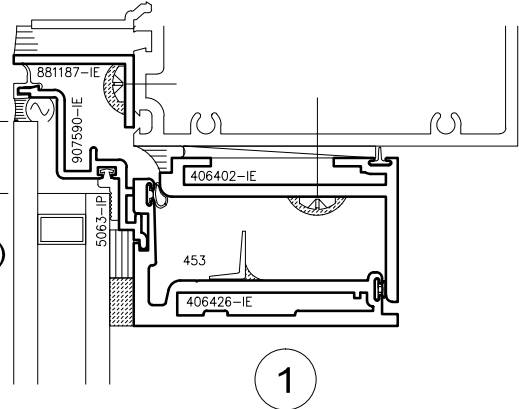
5250i and 6250i-HRX INvision™ Series

Non-stocked items shown – Minimum order quantity may apply

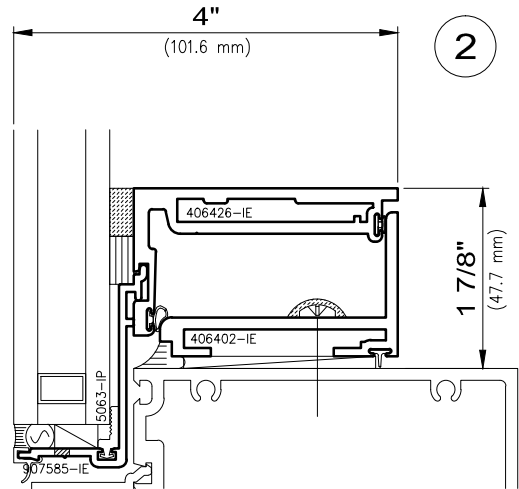
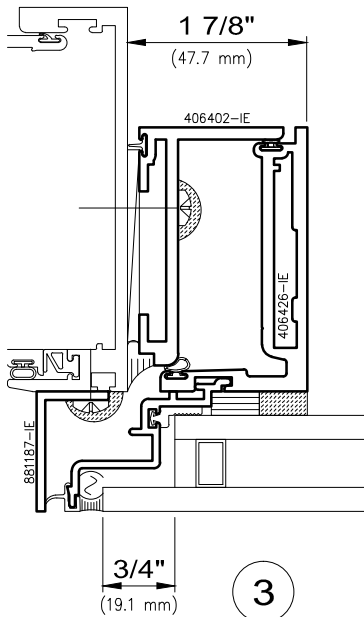
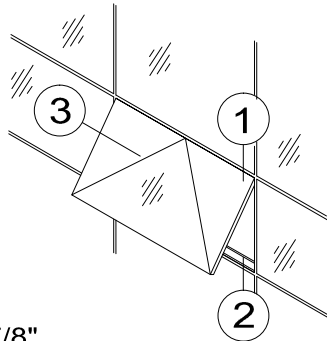
Shown with 6250i-HR framing



Note read-through at offset IGU edge(s)



Used at hinge side and where clearance is required



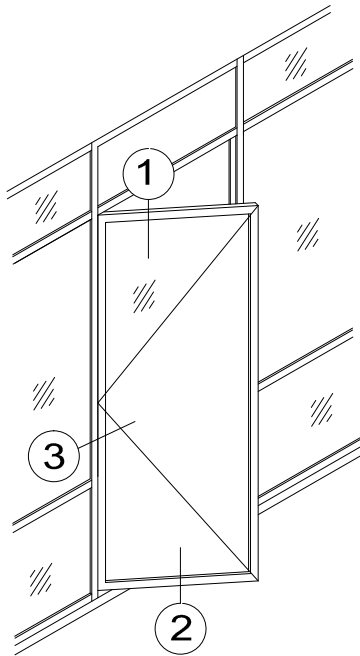
Offset IGU edge not recommended at sill

Unitized Window Wall

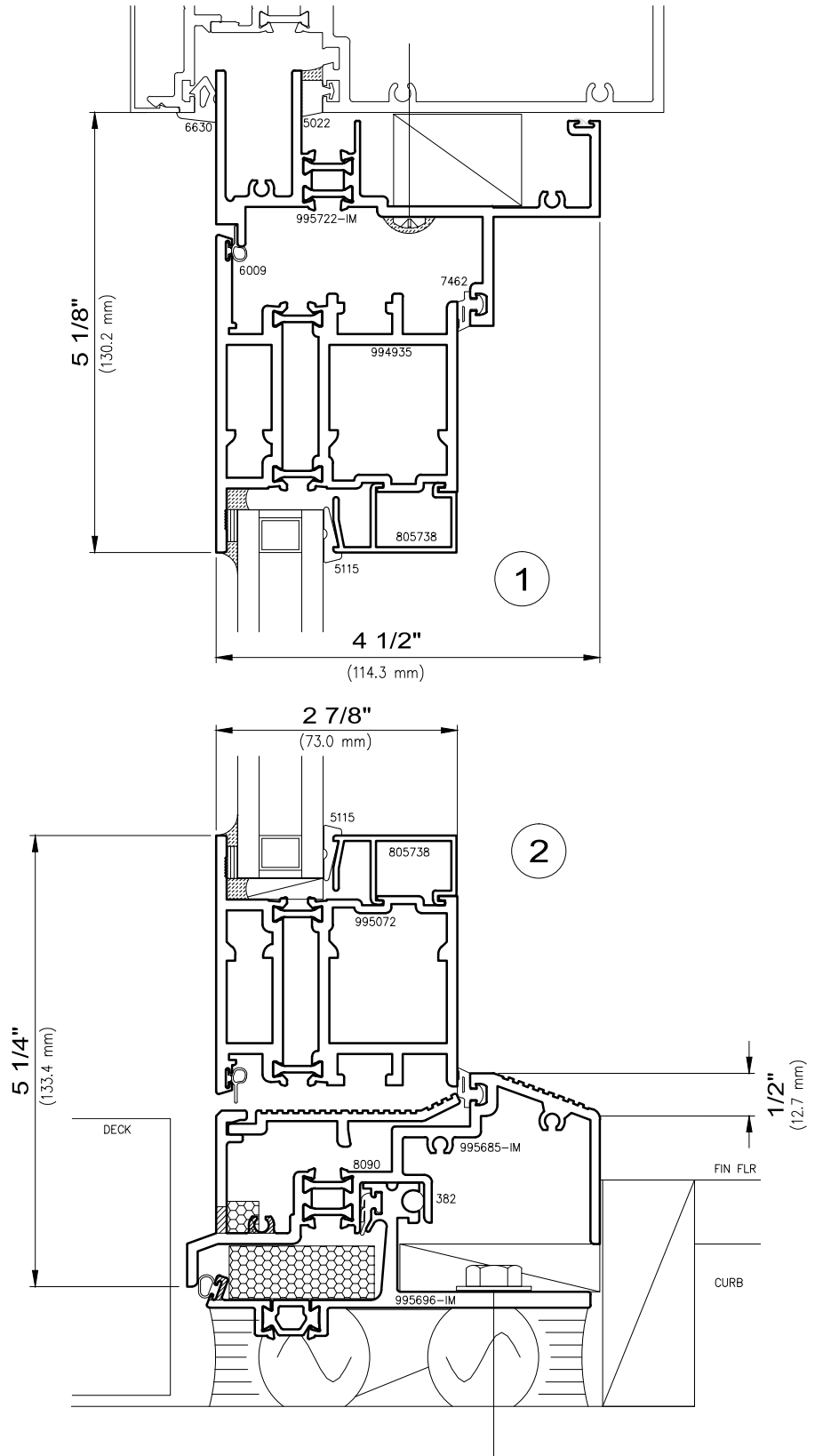
5250i and 6250i-HRX INvision™ Series

Non-stocked items shown - Minimum order quantity may apply

Shown with 6250-HR framing



Out-swing single-leaf terrace door with improved access threshold shown - Other door options available







**WAUSAU**

WINDOW AND WALL  
SYSTEMS

Terrace Doors

**Unitized Window Wall**

**5250i and 6250i-HRX INvision™ Series**

Non-stocked items shown – Minimum order quantity may apply

Shown with 6250i-HR framing

