

Architectural Windows

4250i-OS Offset INvent™ Series

Elevations Viewed From The Exterior

Section Contents

Details	P19-2 thru P19-4
Posts and Stacks	P19-5 thru P19-7
Glazing Options	P19-8
Blind Options	P19-9 and P19-10
Accessories	P19-11 thru P19-13

AAMA Test Configurations (shown)
Architectural AW Class

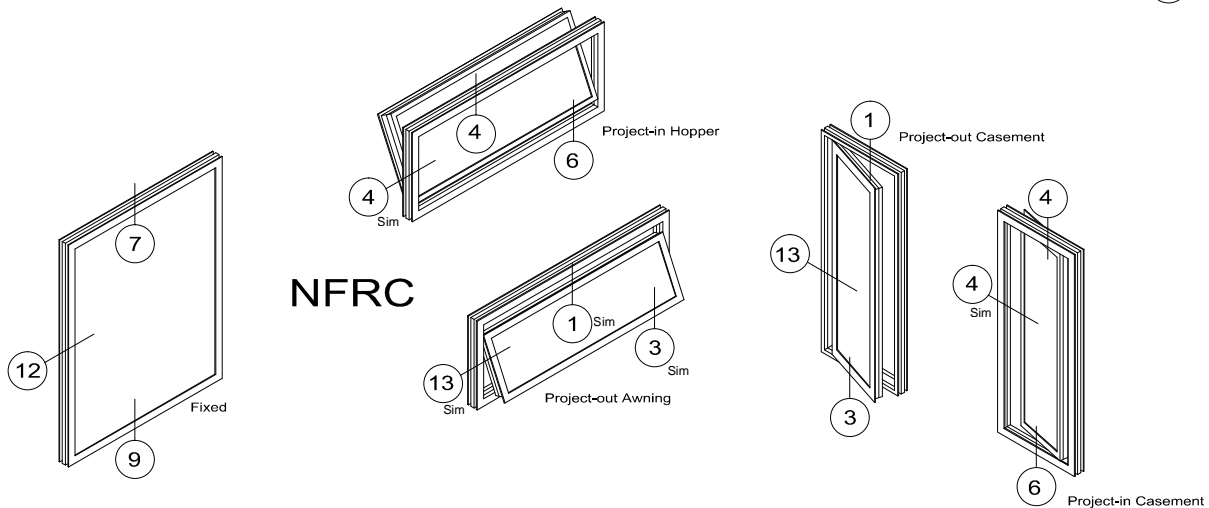
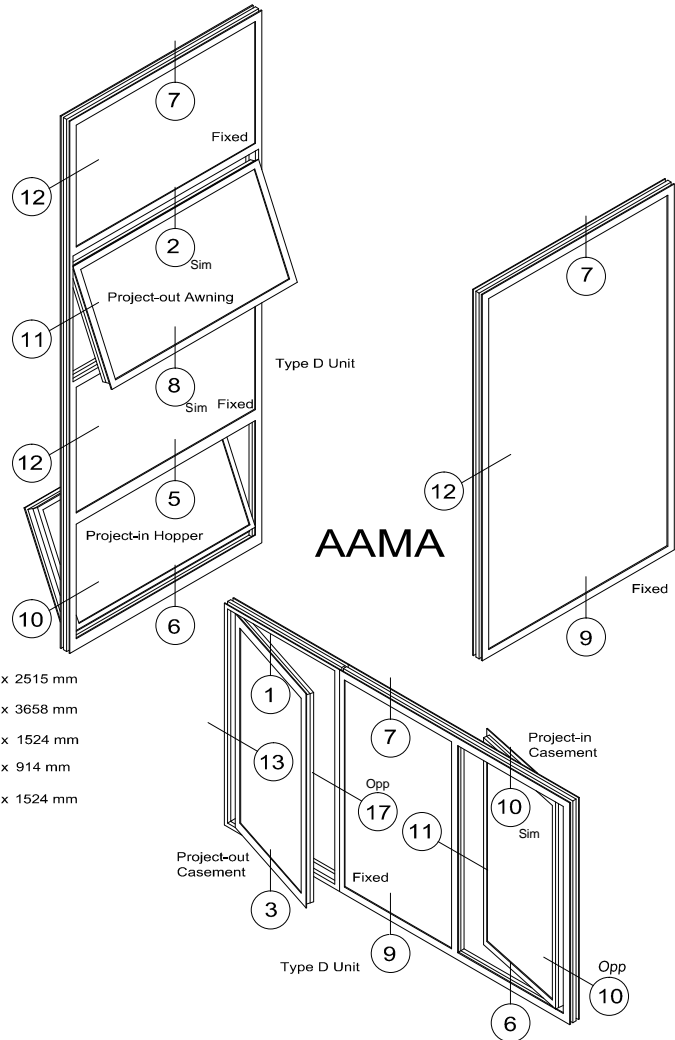
For air, water, cycling and structural

Fixed Frame Size	60" x 99"	Fixed	1524 mm x 2515 mm
Projected Frame Size	60" x 144"	Type D	1524 mm x 3658 mm
Casement Frame Size	108" x 60"	Type D	2743 mm x 1524 mm
Gateway Sizes	60" x 36"	Projected	1524 mm x 914 mm
	36" x 60"	Casement	914 mm x 1524 mm

NFRC 100 Thermal Test Configurations (shown)

For U-Factor, SHGC and CR

Fixed Frame Size	47" x 59"	1200 mm x 1500 mm
Projected Frame Size	59" x 24"	1500 mm x 600 mm
Casement Frame Size	24" x 59"	600 mm x 1500 mm



4250i-OS Offset INvent
Contact A Wausau Representative For Other Possible Configurations.



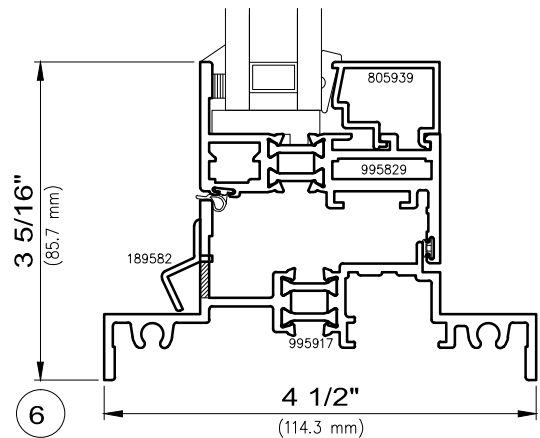
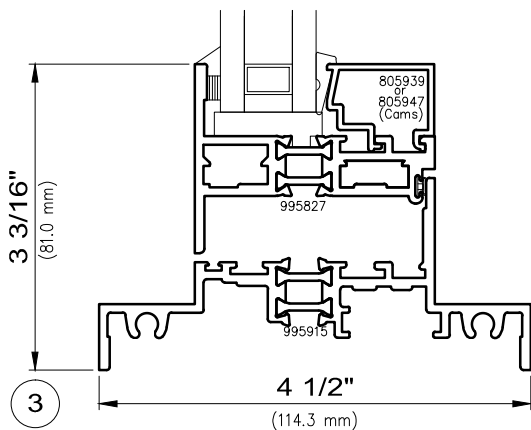
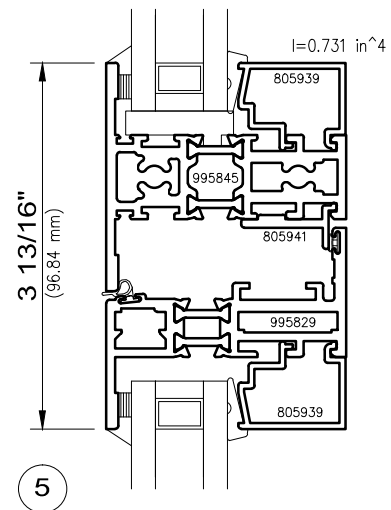
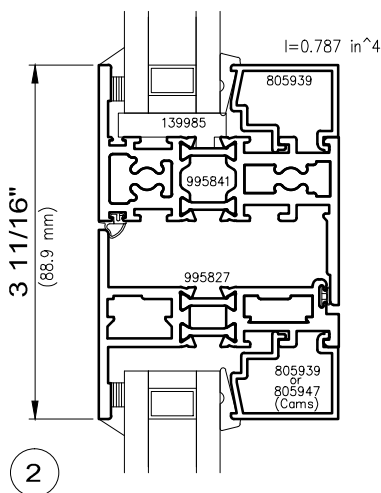
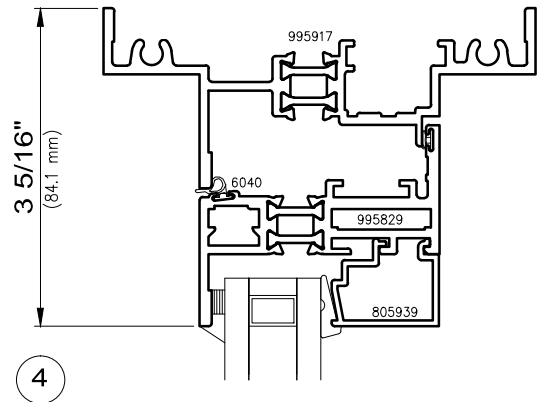
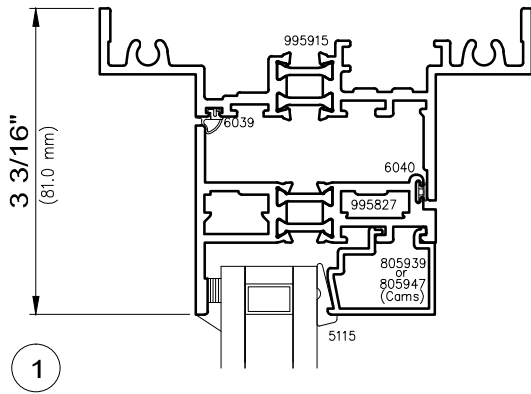
WAUSAU

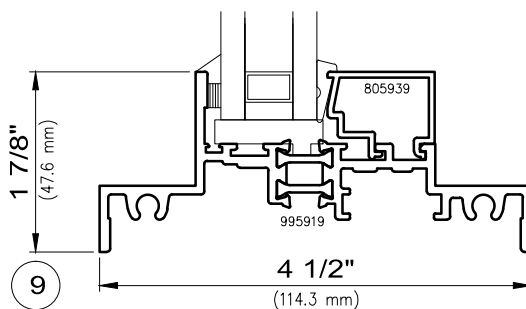
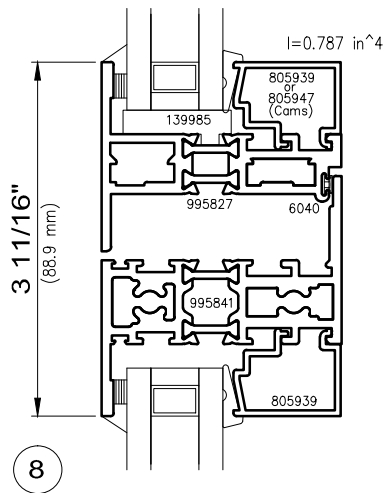
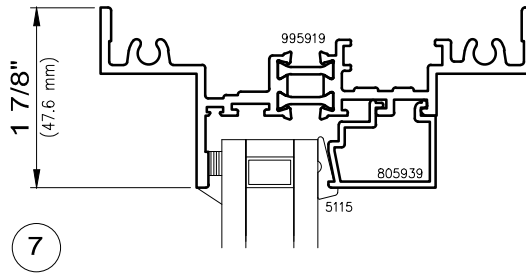
WINDOW AND WALL
SYSTEMS

Projected and Fixed Details

Architectural Windows

4250i-OS Offset INvent™ Series







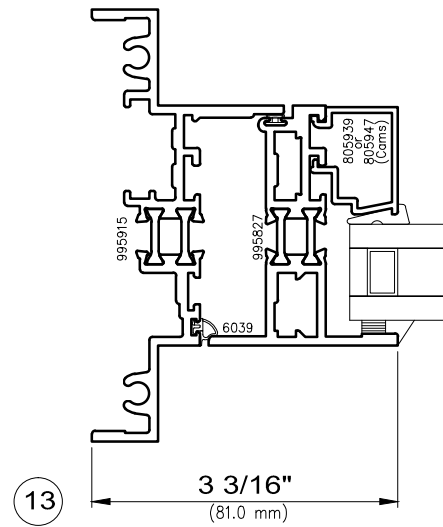
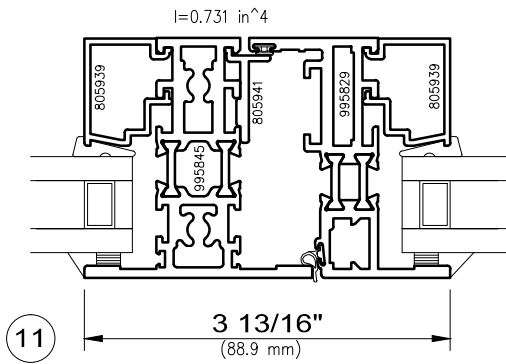
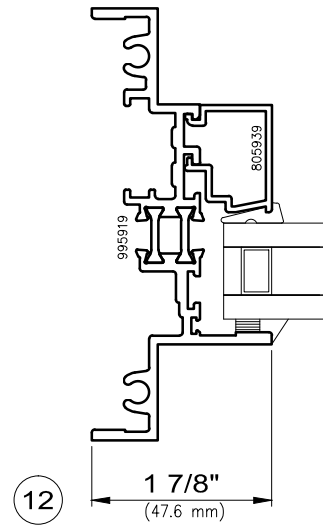
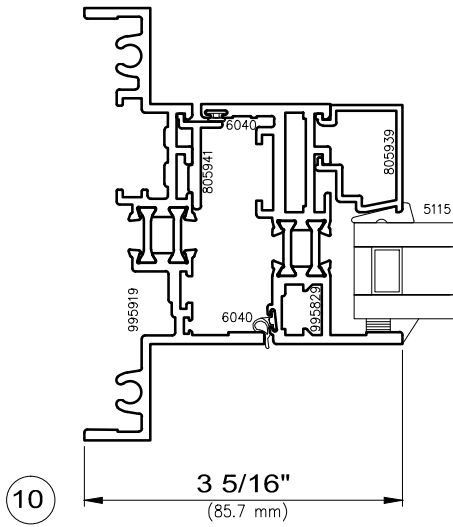
WAUSAU

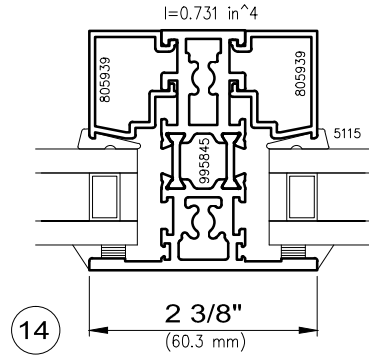
WINDOW AND WALL
SYSTEMS

Projected and Fixed Details

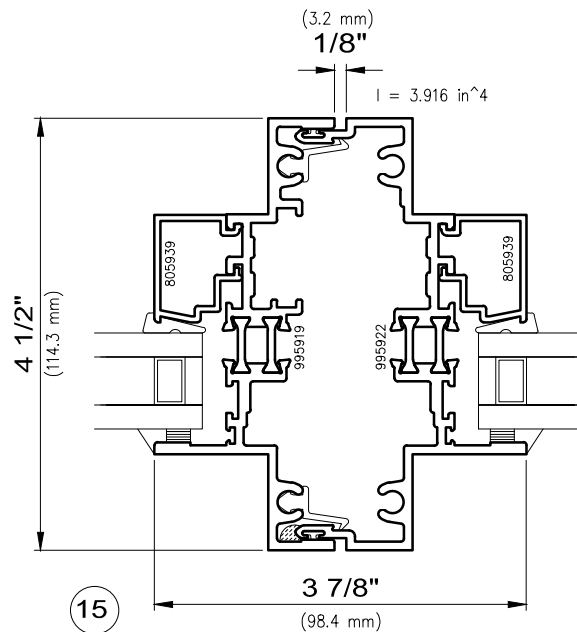
Architectural Windows

4250i-OS Offset INvent™ Series



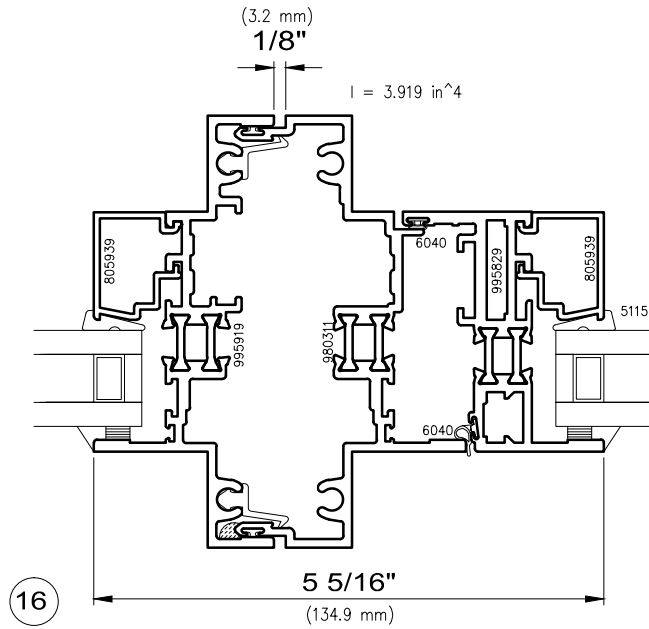


Fixed / Fixed Post

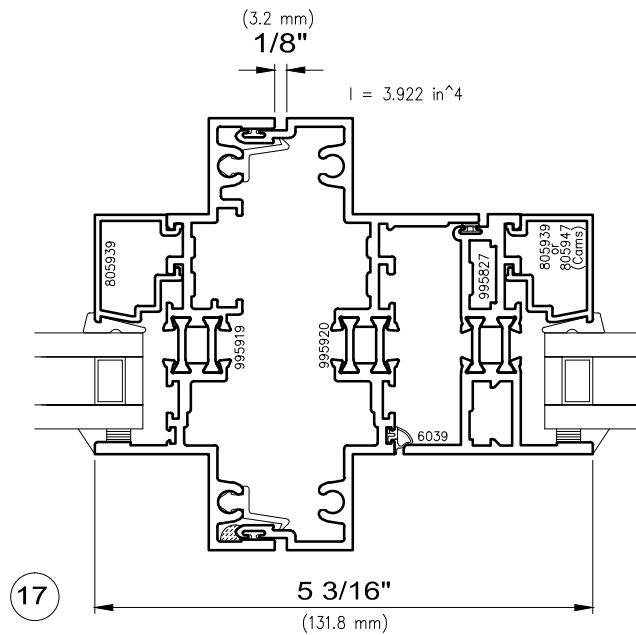


Fixed / Fixed

I-values indicated are for frame members only.
Thermal barrier shear reduction of 10% included.

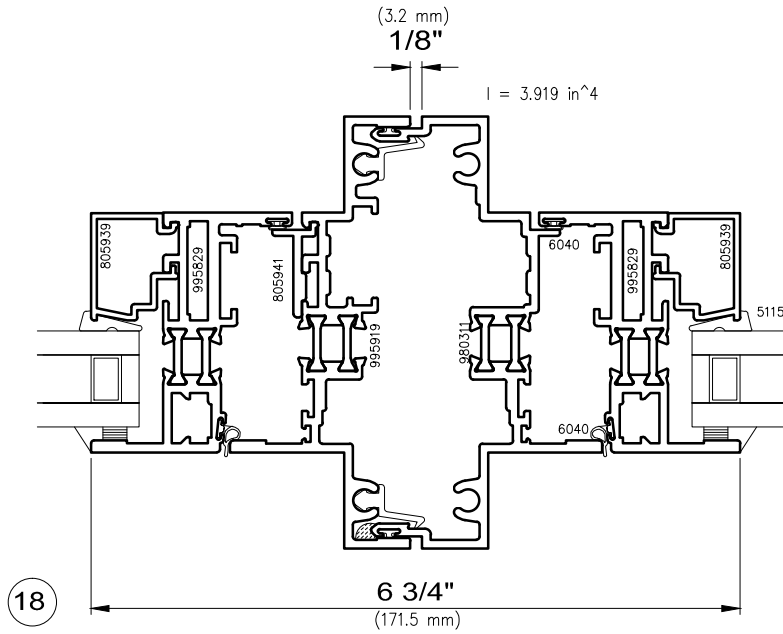


Fixed / Project-In

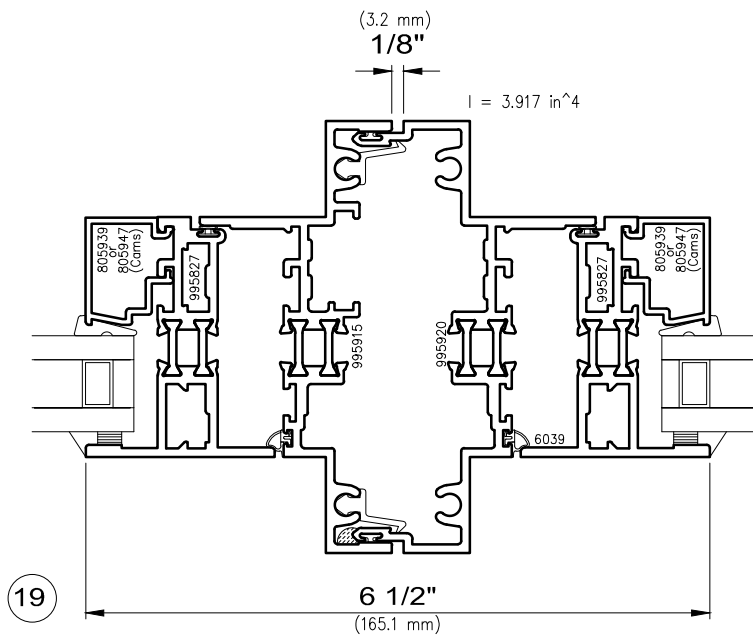


Fixed / Project-Out

I-values indicated are for frame members only.
Thermal barrier shear reduction of 10% included.

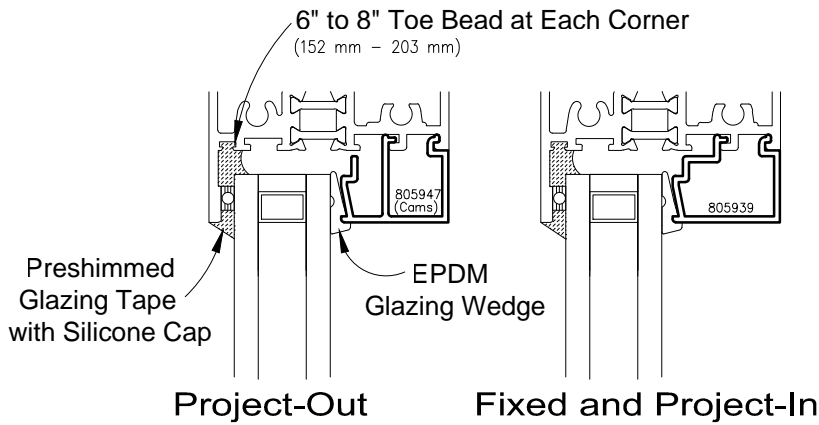


Project-In Vent / Project-In Vent

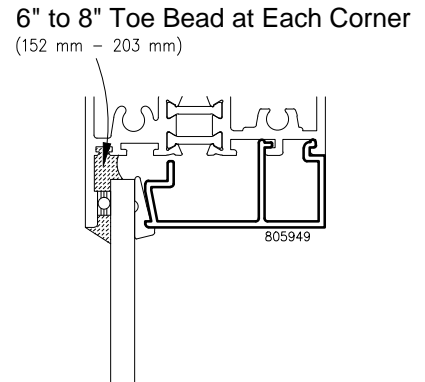


Project-Out Vent / Project-Out Vent

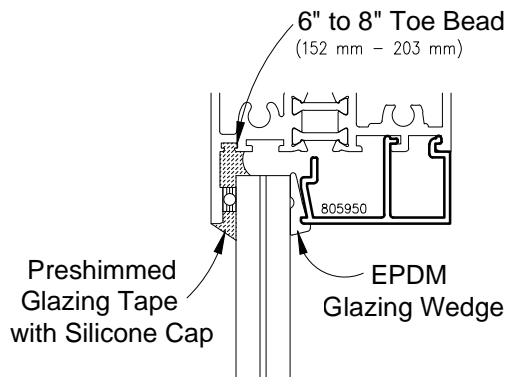
I-values indicated are for frame members only.
Thermal barrier shear reduction of 10% included.



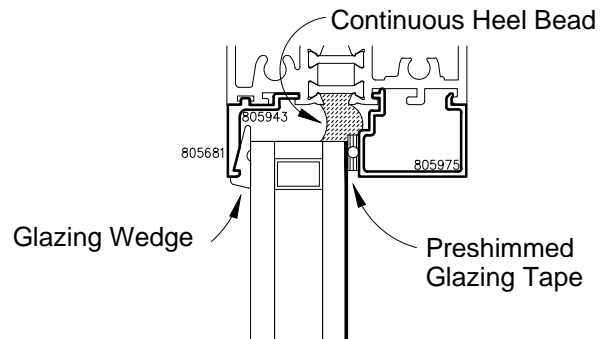
1" Insulating Glass
Inside Glazed



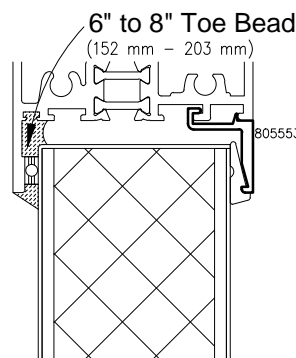
1/4" Monolithic Glass
Inside Glazed



9/16" Laminated Glass
Inside Glazed



1" Spandrel
Outside/Inside Glazed

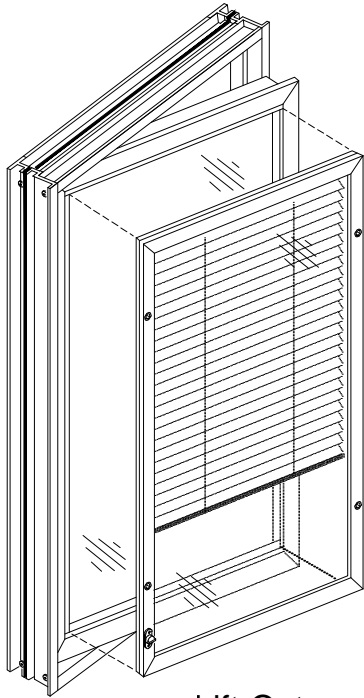


2" Panel
Inside Glazed

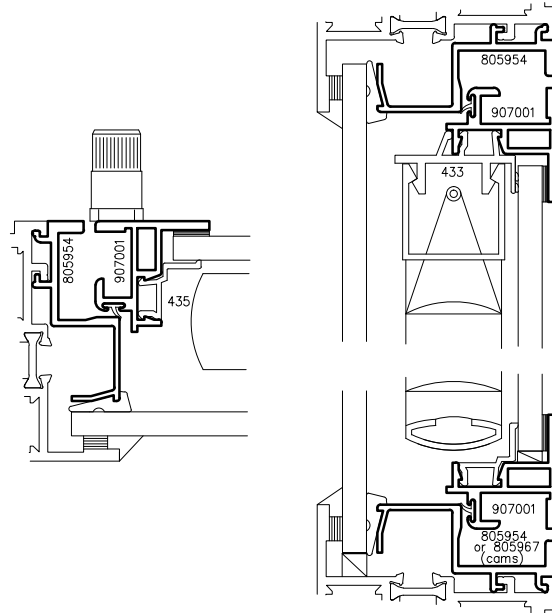
Architectural Windows

4250i-OS Offset INvent™ Series

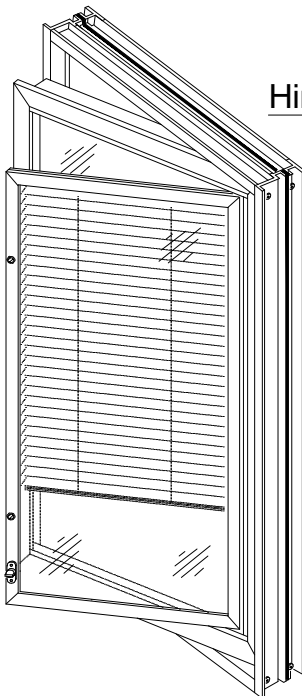
Elevations Shown As Viewed From The Interior



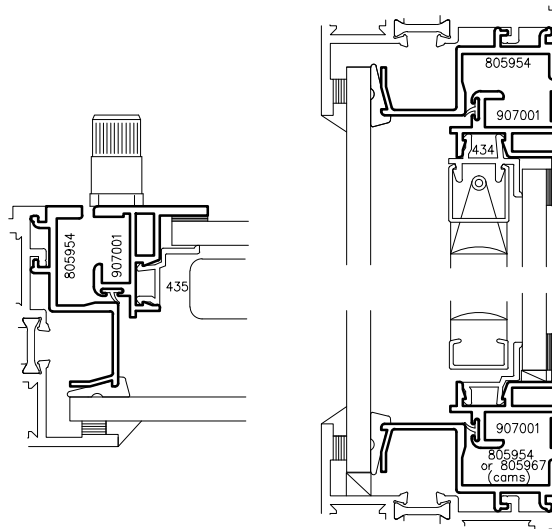
Lift-Out



1" Blind/Dual Glazed



Hinged



5/8" Blind/Dual Glazed



WAUSAU

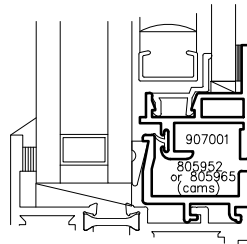
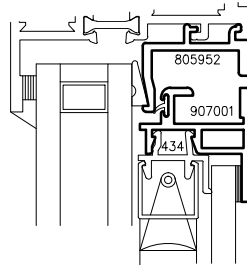
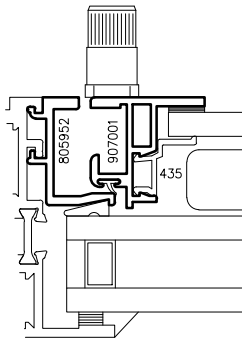
WINDOW AND WALL
SYSTEMS

Blind Options

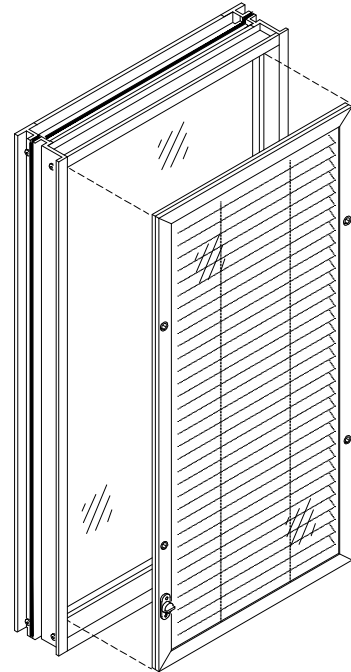
Architectural Windows

4250i-OS Offset INvent™ Series

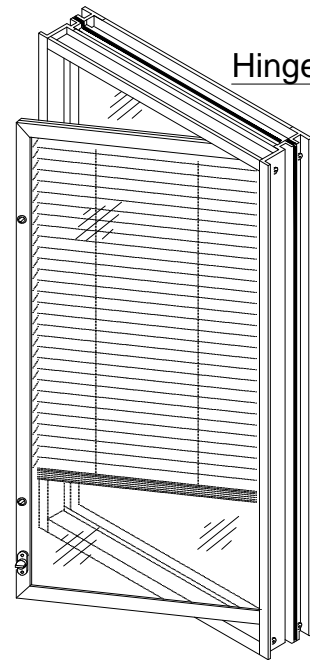
Elevations Shown As Viewed From The Interior



5/8" Blind/Triple Glazed



Lift-Out



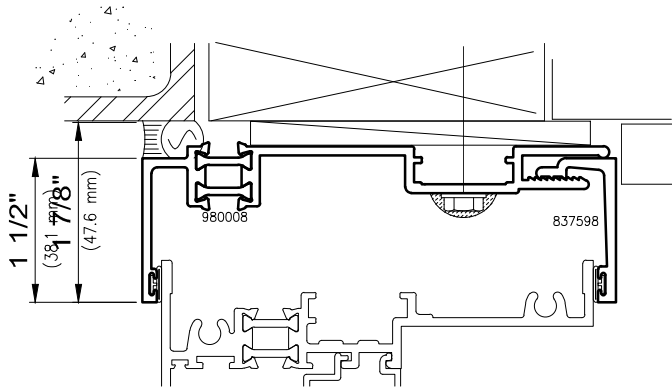
Hinged



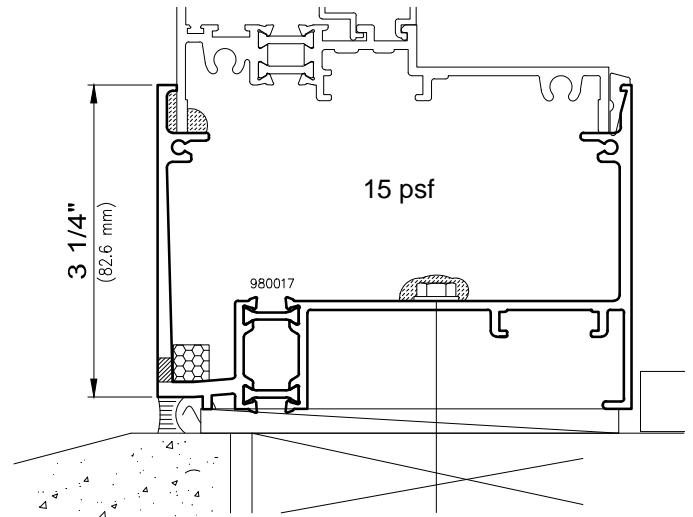
Architectural Windows

4250i-OS Offset INvent™ Series

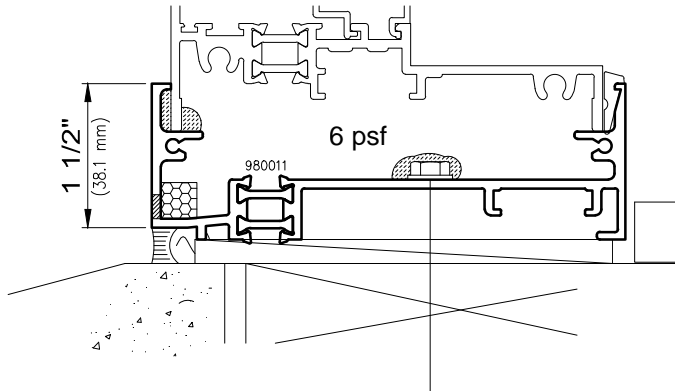
Non-stocked items shown - Minimum order quantity may apply



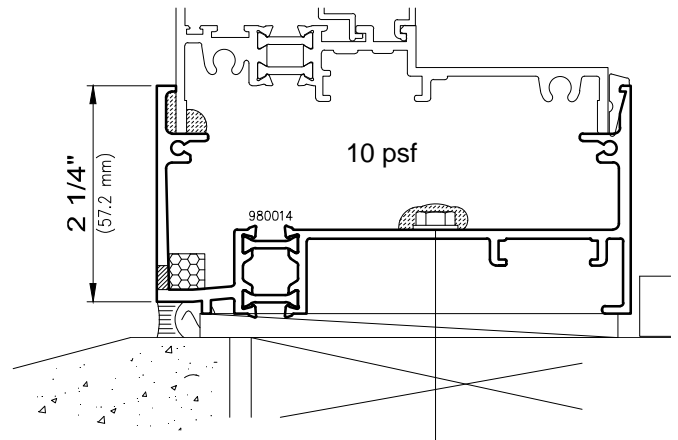
4250i Head & Jamb Starter



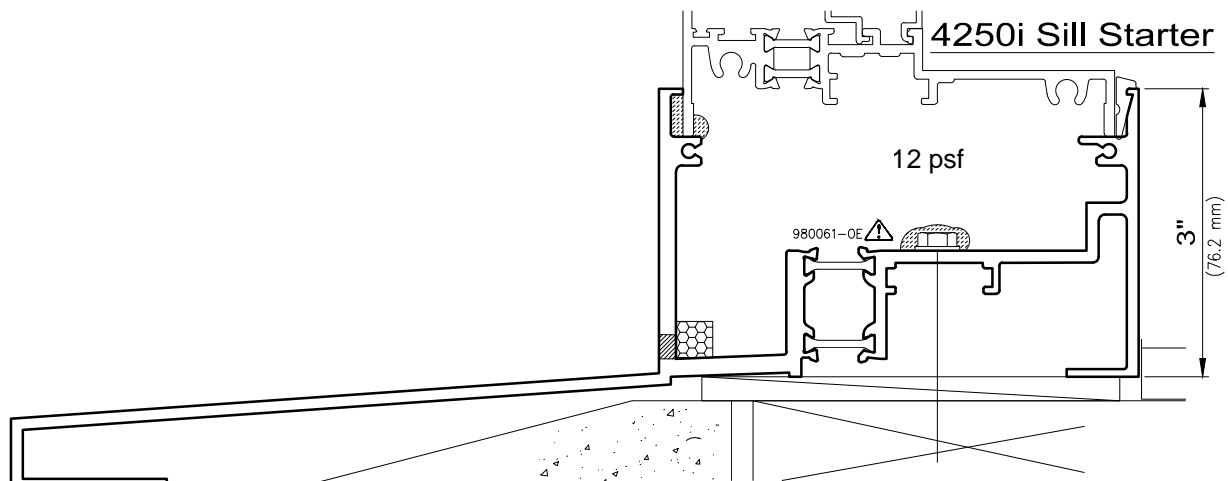
4250i Sill Starter



4250i Sill Starter



4250i Sill Starter



4250i Integral Panning Sill Starter

Value in psf Indicates Approximate Water Head (Without Pressure Equalization)
Other Sill Starters Available For Higher or Lower Water Test Pressures

⚠ - OBSOLETE TOOLING STATUS



WAUSAU

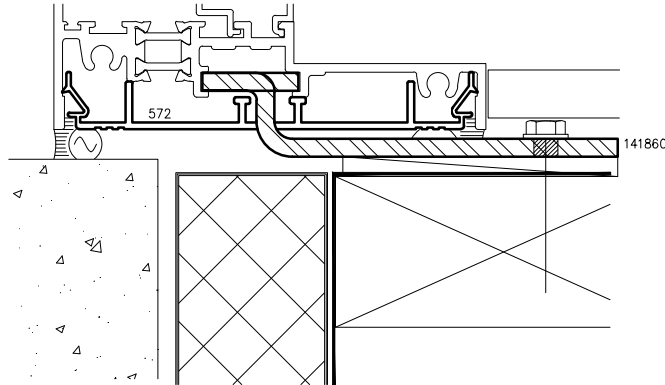
WINDOW AND WALL
SYSTEMS

Accessories
Anchors, Frame Extenders and Caulk Backers

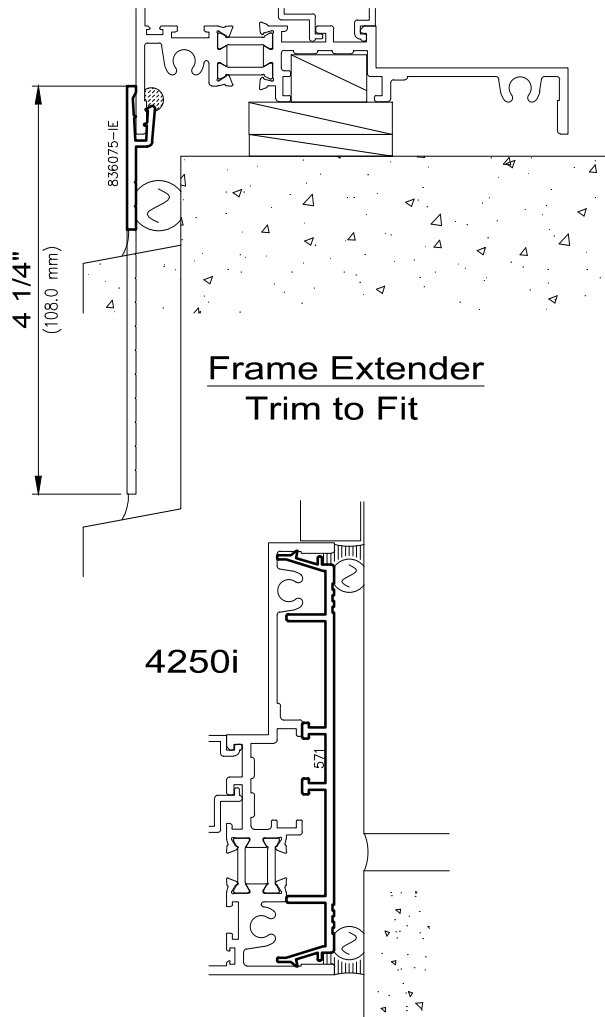
Architectural Windows

4250i-OS Offset INvent™ Series

Non-stocked items shown – Minimum order quantity may apply



4250i Heavy Duty Slide-In Anchor
3/16" (nom.) Formed Steel



PVC Caulk Backers



WAUSAU

WINDOW AND WALL
SYSTEMS

Accessories
Optional Nailing Fin Anchor

Architectural Windows

4250i-OS Offset INvent™ Series

Non-stocked items shown – Minimum order quantity may apply

