



Architectural Windows

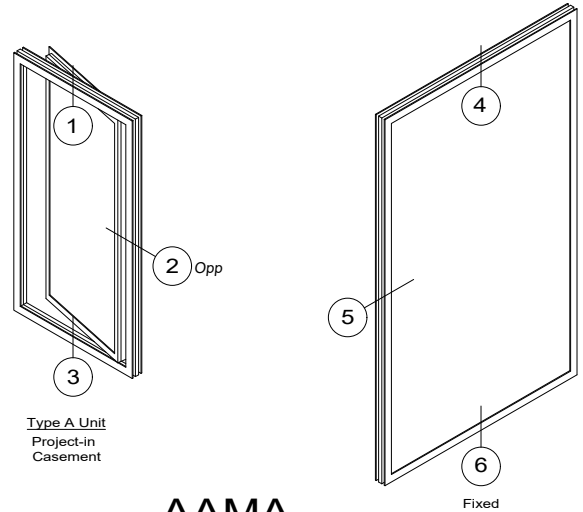
4000i-DT Series Behavioral Care

Elevations Viewed From The Exterior

Maximum Drop Tested Size= 72" x 84" (frame size, single light fixed) 1829 mm x 2134 mm

Minimum Drop Tested Size= 39 5/8" x 72" (frame size, with Intermediate Post) 1006 mm x 1829 mm

Section Contents	Page(s)
Perimeter	G3b-2 and G3b-3
Posts and Stacks	G3b-4 to G3b-6
Glazing Options	G3b-7 and G3b-8
Starters	G3b-9
Anchor Options	G3b-10 to G3b-12
Blind Options	G3b-13
Blind Knob Options	G3b-14
Lift-out Sash Option	G3b-15



AAMA

AAMA Test Configurations (shown)

Architectural AW Class

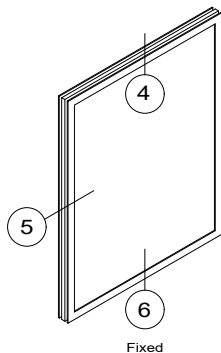
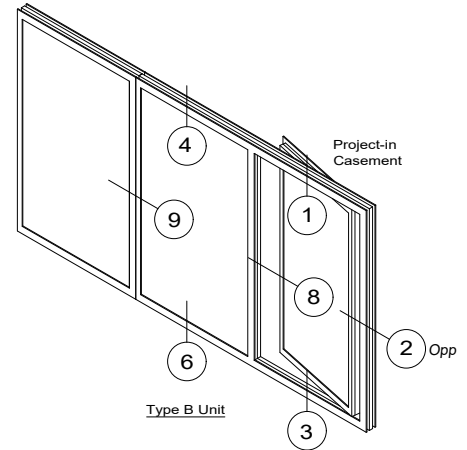
For air, water, cycling and structural

SHW/Fixed Frame Size 96" x 72" Fixed 2438 mm x 1829 mm

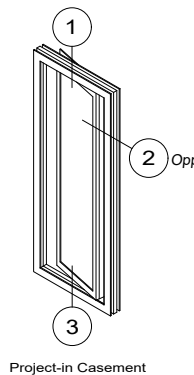
NFRC 100 Thermal Test Configurations (shown)

For U-Factor and SHGC

Fixed Frame Size 47" x 59" 1200 mm x 1500 mm
Casement Frame Size 24" x 59" 600 mm x 1500 mm



NFRC



4000i-DT

Contact a Wausau Representative for other Possible Configurations.



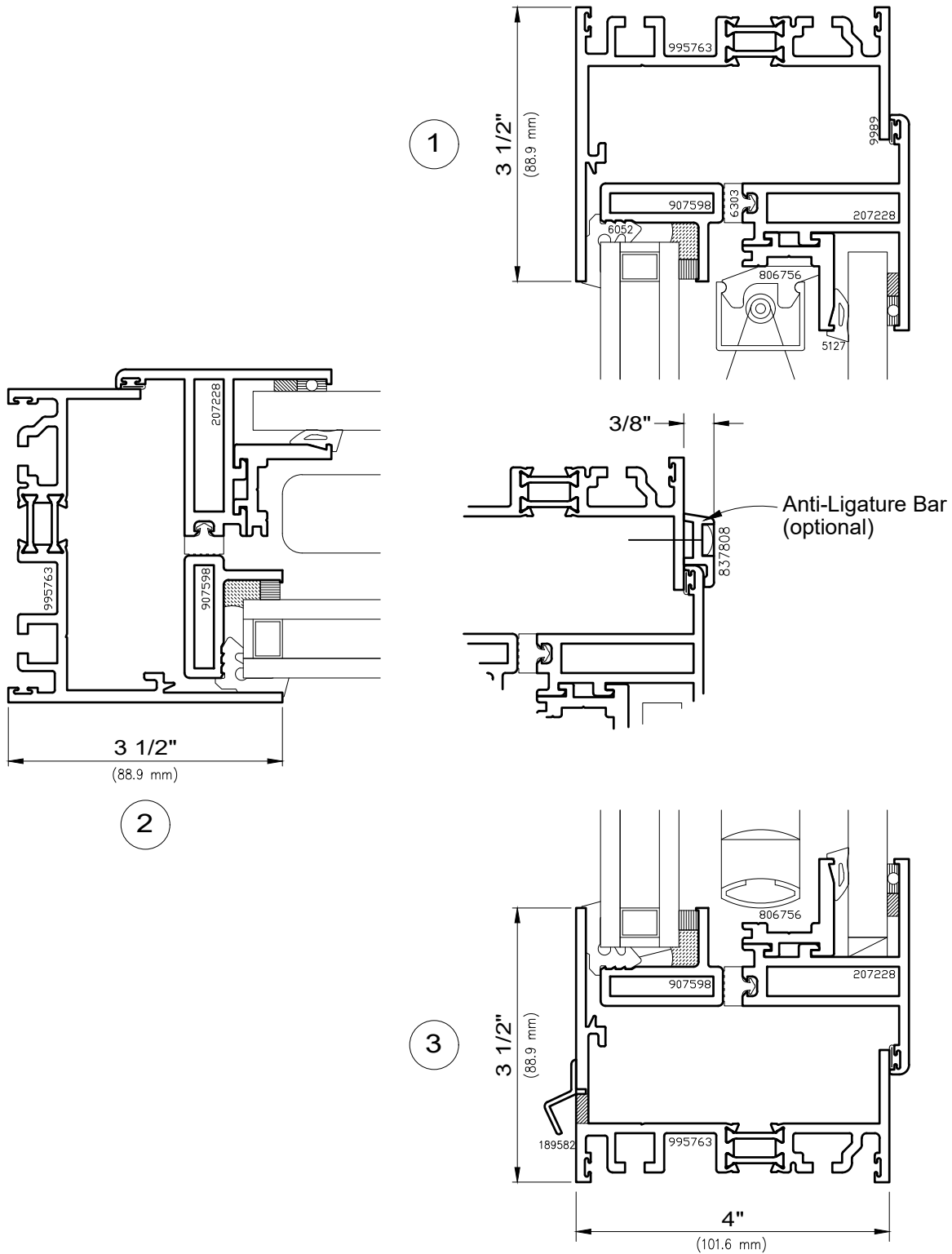
WAUSAU

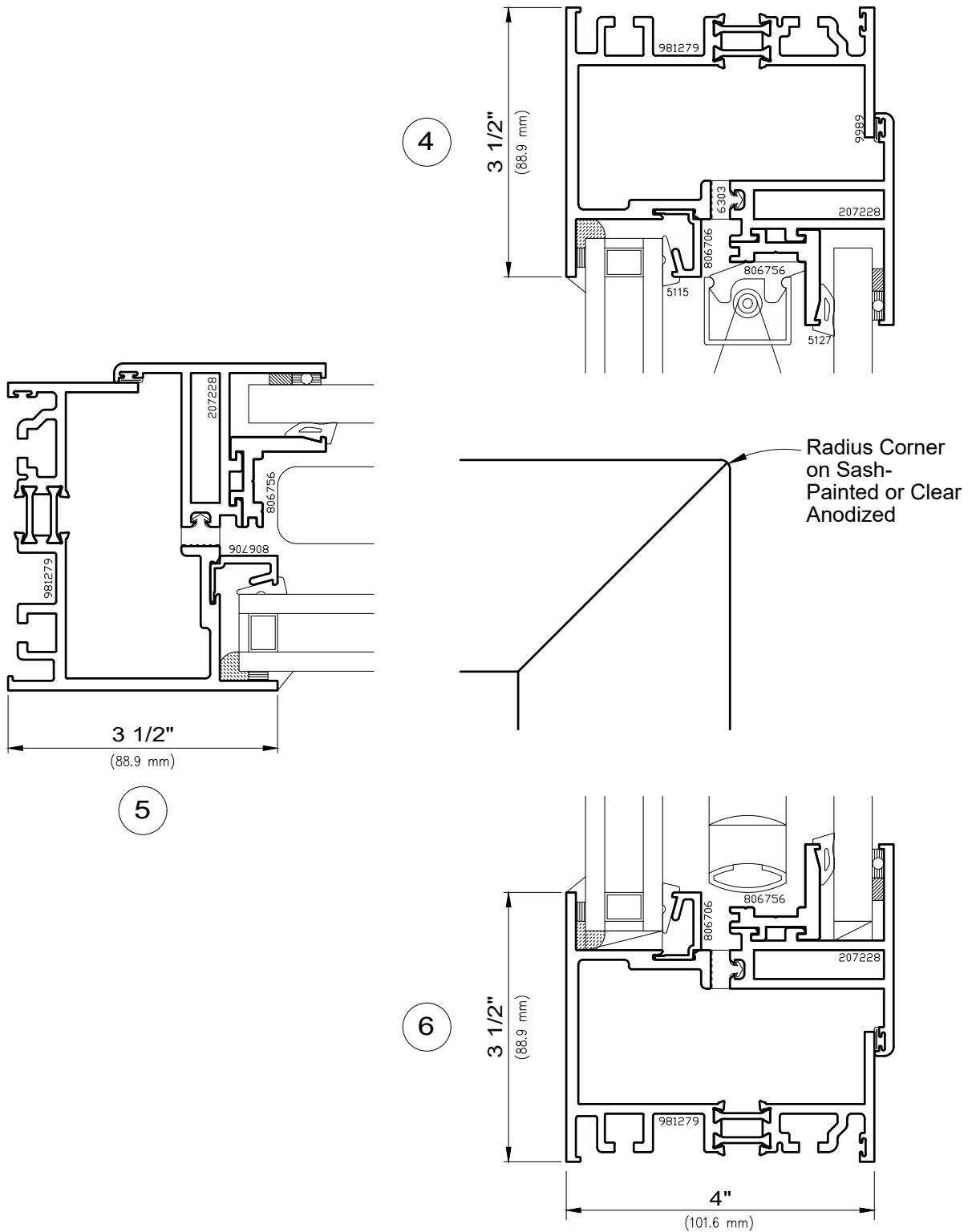
WINDOW AND WALL
SYSTEMS

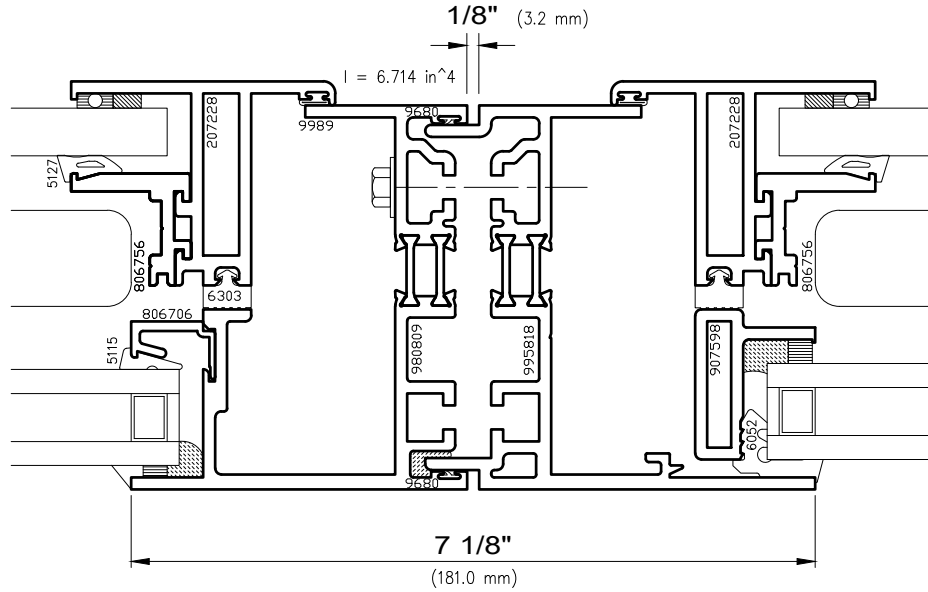
Projected and Fixed Details

Architectural Windows

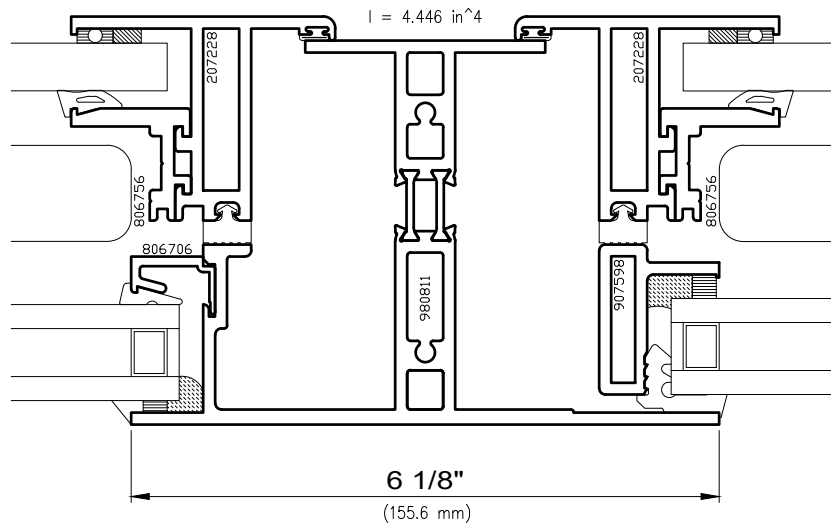
4000i-DT Series Behavioral Care





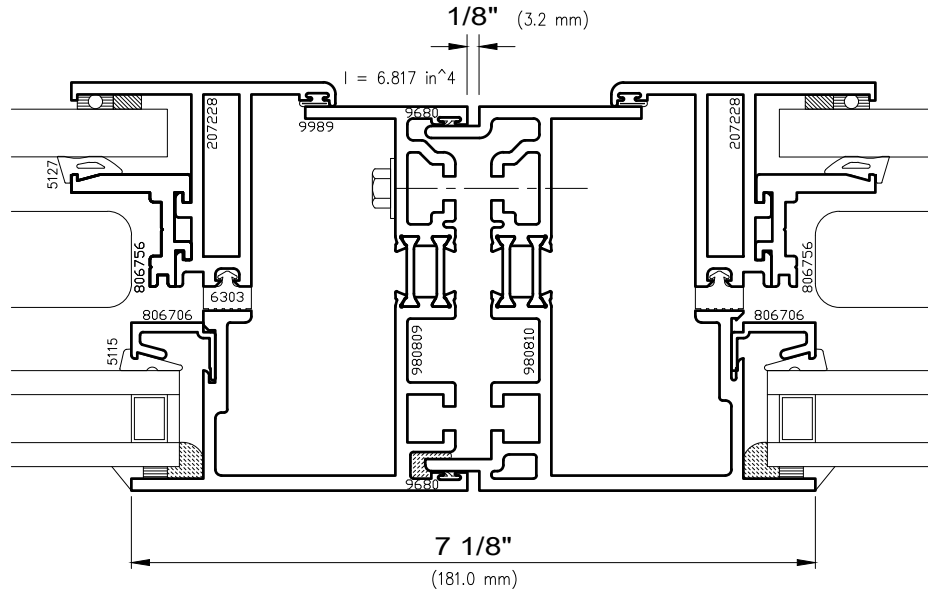


7 Fixed / Project-In (stack)

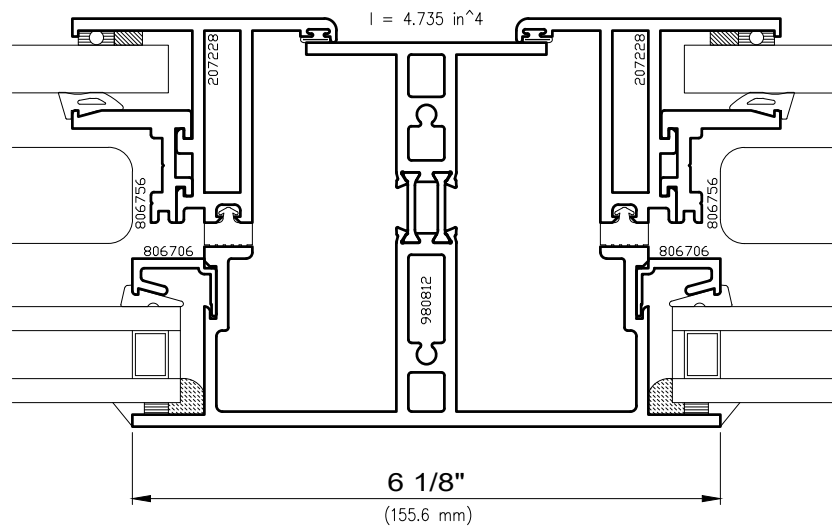


8 Fixed / Project-In (post)

I-values indicated are for frame members only.
Thermal barrier shear reduction of 15% included.

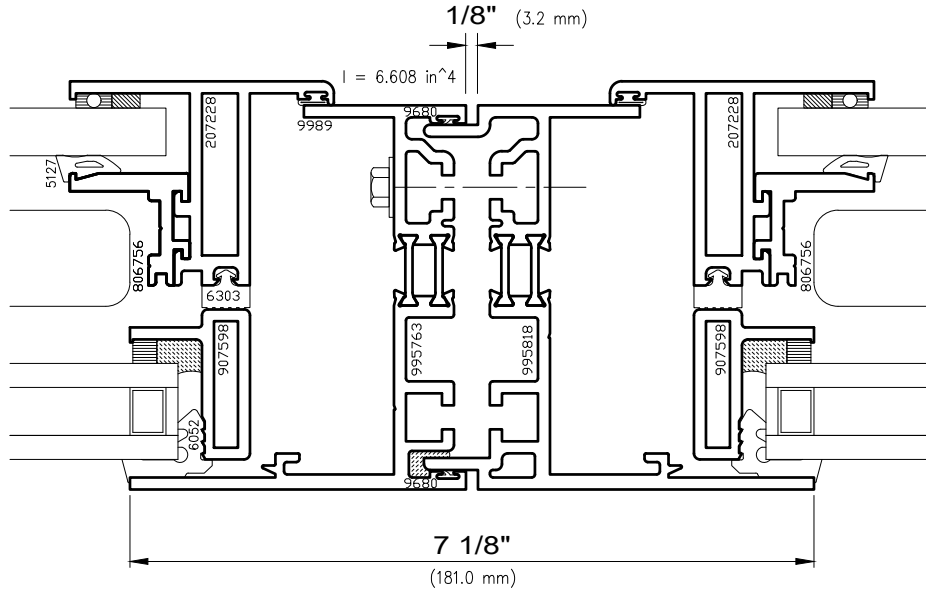


9 Fixed / Fixed (stack)

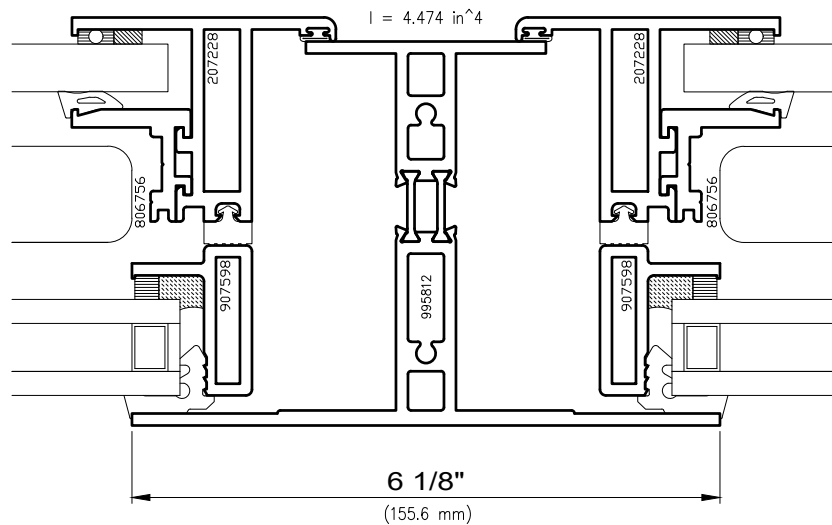


10 Fixed / Fixed (post)

I-values indicated are for frame members only.
Thermal barrier shear reduction of 15% included.



11 Project-in / Project-In (stack)

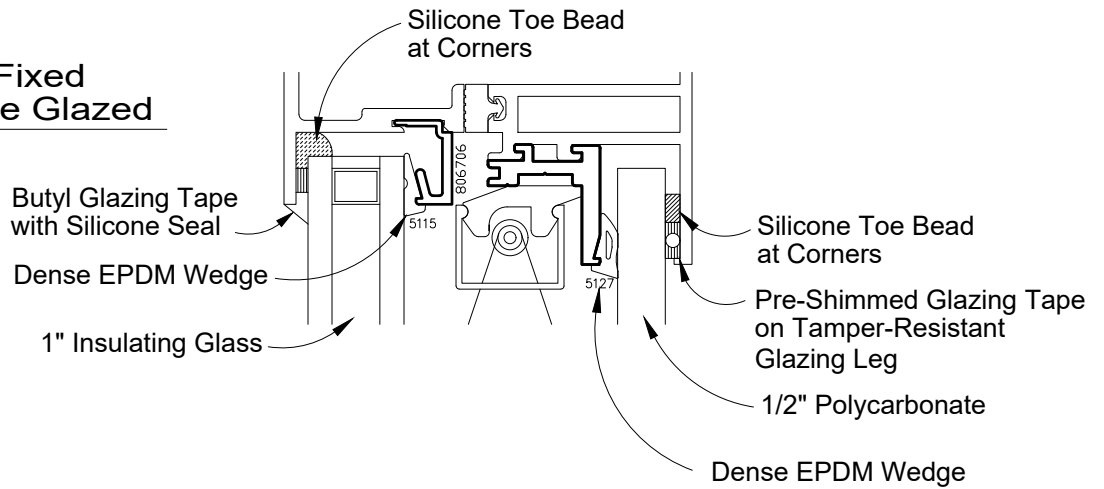


12 Project-in / Project-In (post)

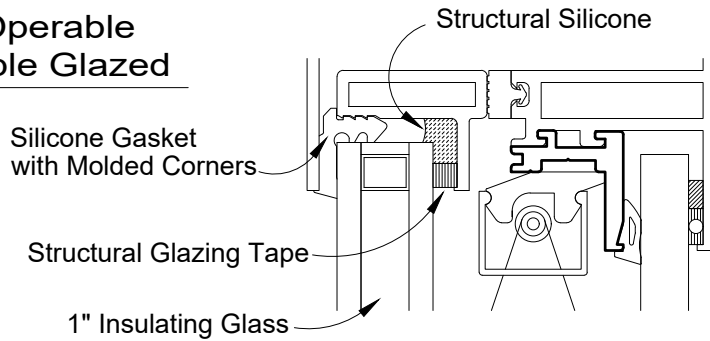
I-values indicated are for frame members only.
Thermal barrier shear reduction of 15% included.



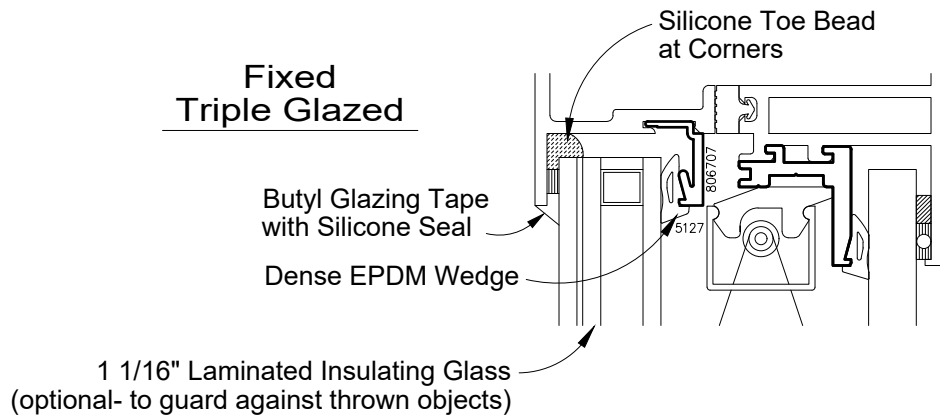
Fixed Triple Glazed



Operable Triple Glazed



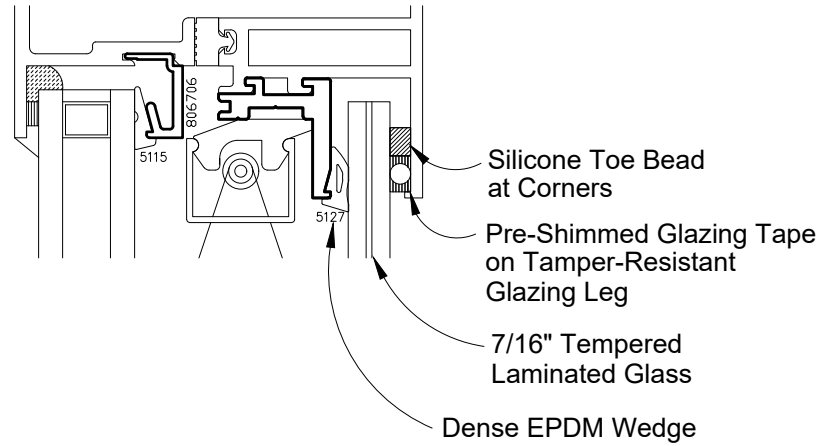
Fixed Triple Glazed



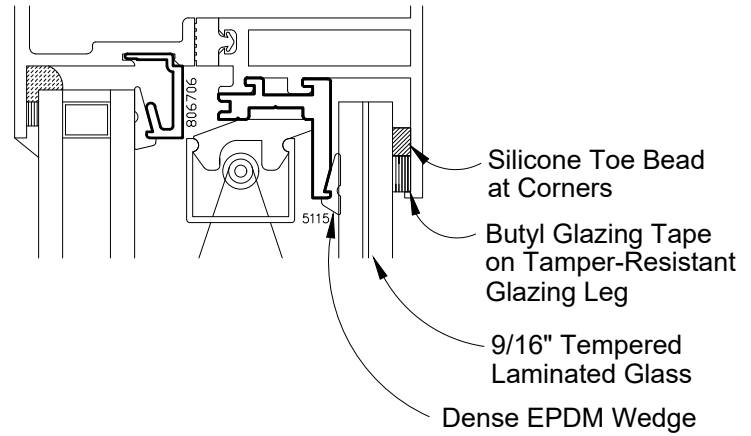
Contact a Wausau Representative for other Glazing Options.



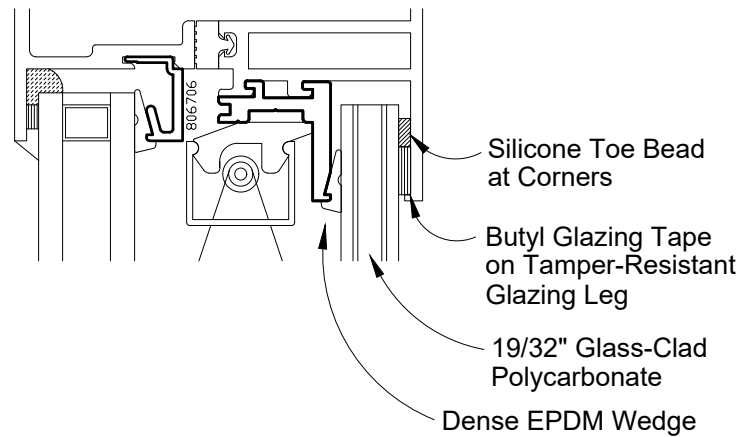
Interior
Laminated Glass



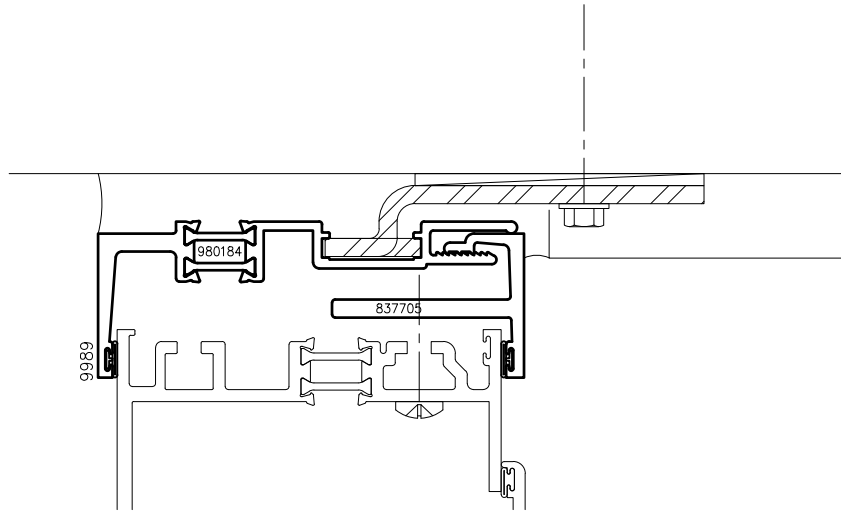
Alternate
interior
glazing
materials



Interior
Glass-Clad Polycarbonate

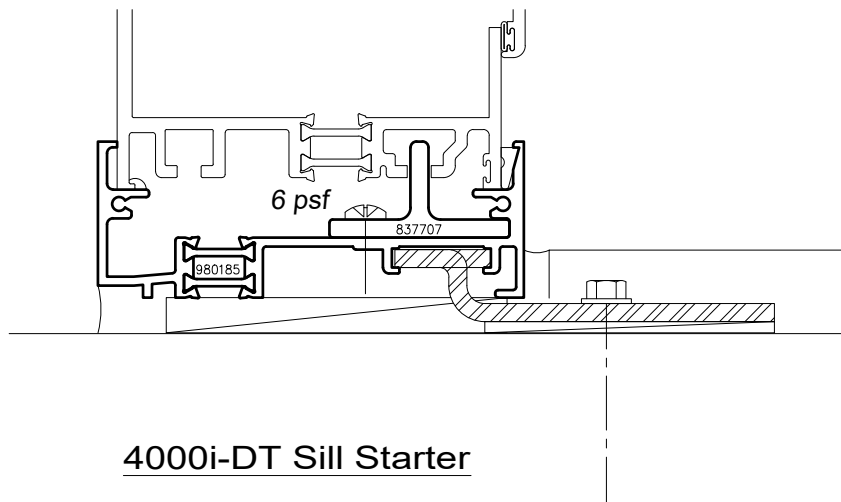


Contact a Wausau Representative for other Glazing Options.



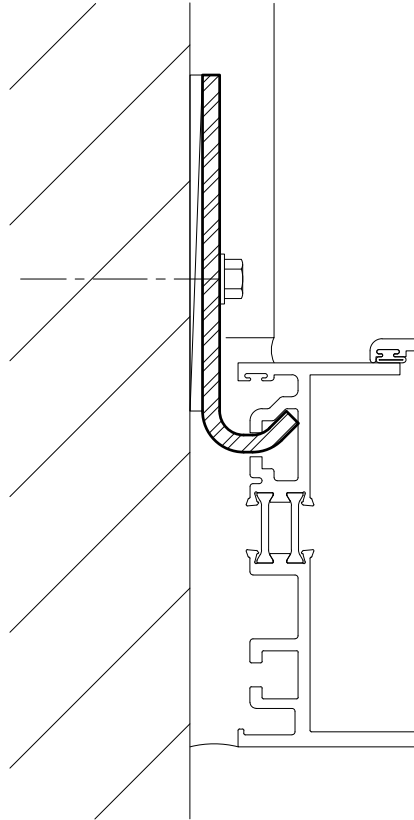
4000i-DT Head & Jamb Starter

All interior receptor components must be set in a bed of security sealant, to maintain adequate resistance to removal. Project-specific structural analysis of anchorage, substrate, and receptor connection details is required.



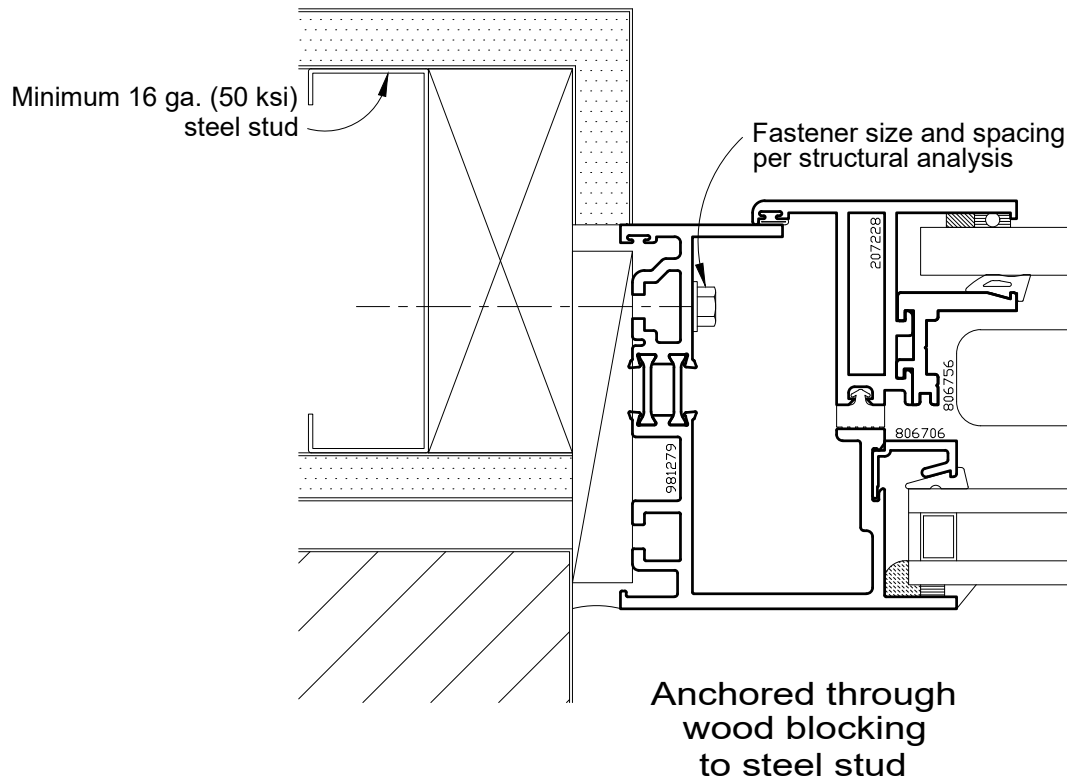
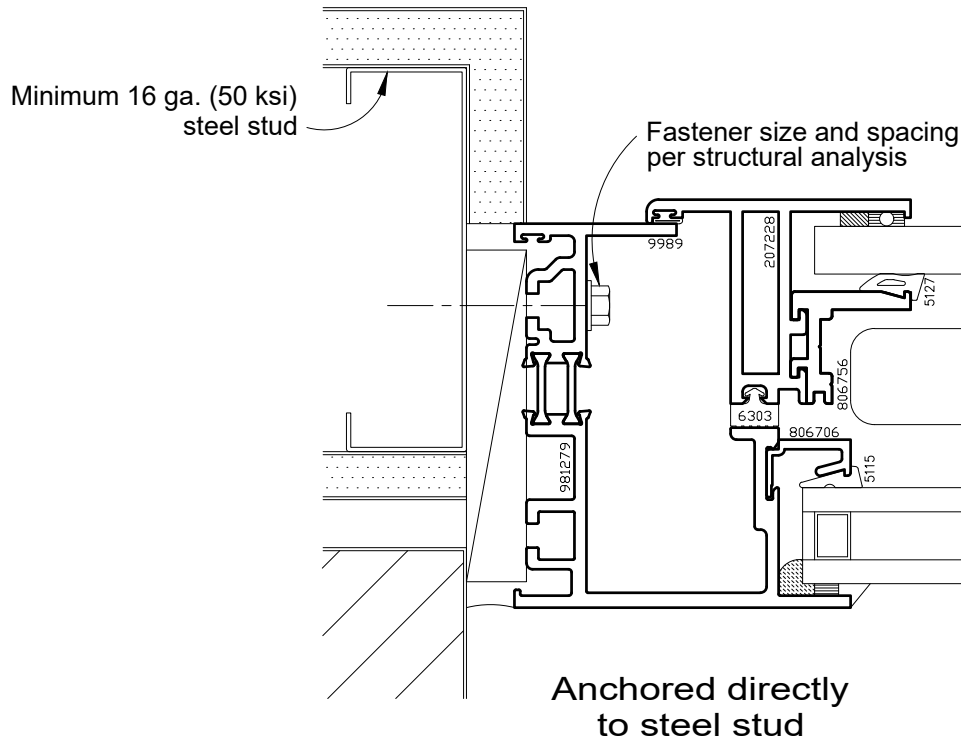
4000i-DT Sill Starter

Value in psf Indicates Approximate Water Head (without Pressure Equalization)
Other Sill Starters Available for Higher or Lower Water Test Pressures



Hook-In Anchor
3/16" Formed Steel

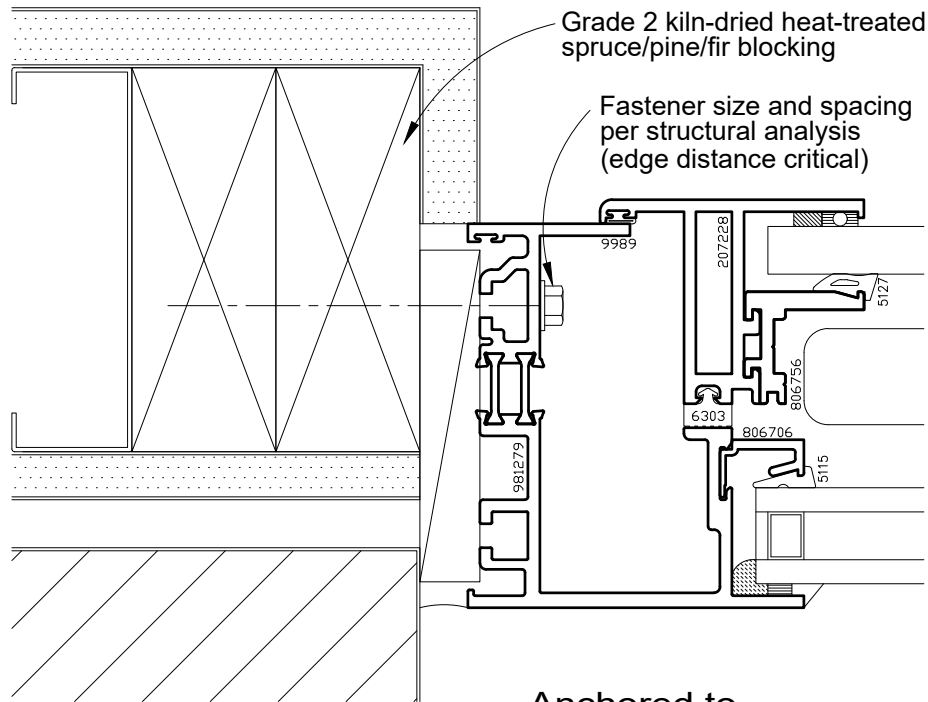
Project-specific structural
analysis of anchorage
details is required.



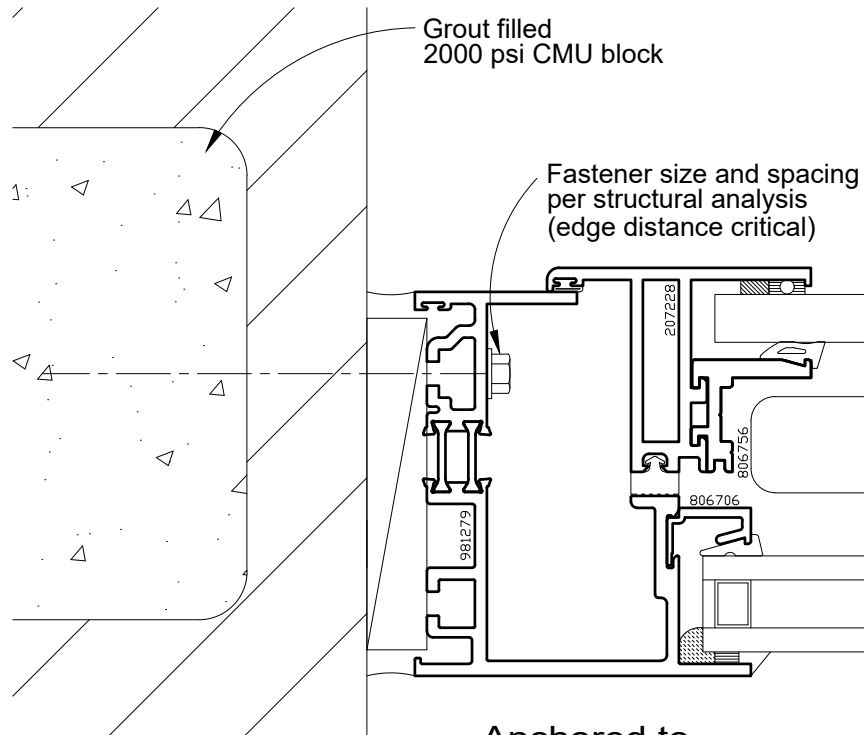


Architectural Windows

4000i-DT Series Behavioral Care



Anchored to
securely fastened
wood blocking



Anchored to
concrete block



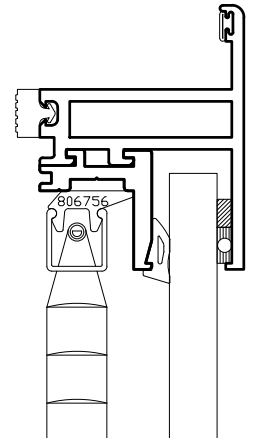
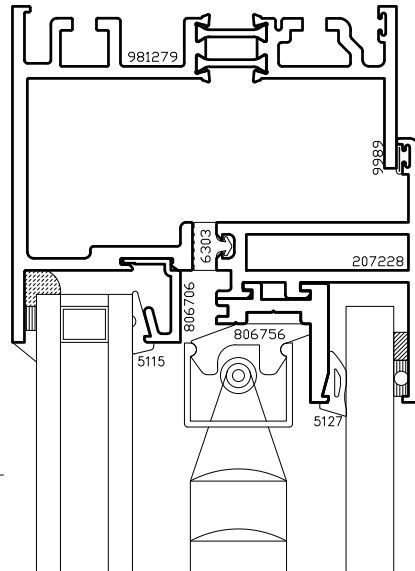
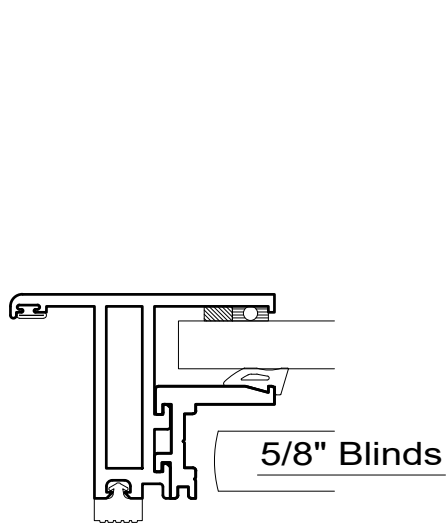
WAUSAU

WINDOW AND WALL
SYSTEMS

Accessories
1" and 5/8" Blinds

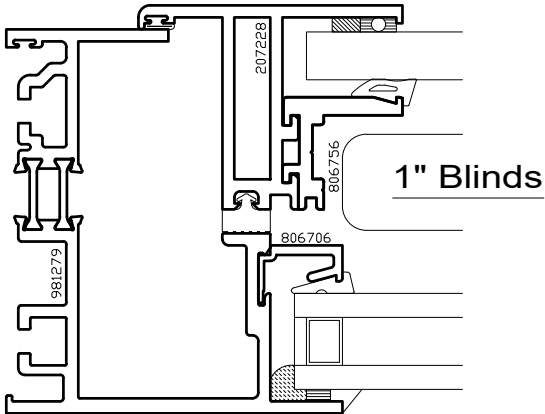
Architectural Windows

4000i-DT Series Behavioral Care



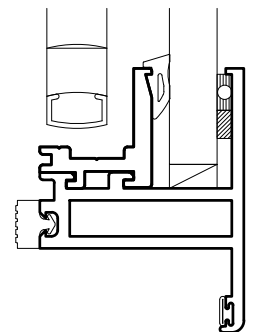
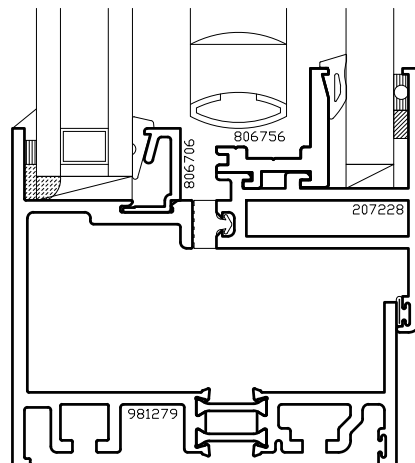
1" Blinds

5/8" Blinds



1" Blinds

5/8" Blinds





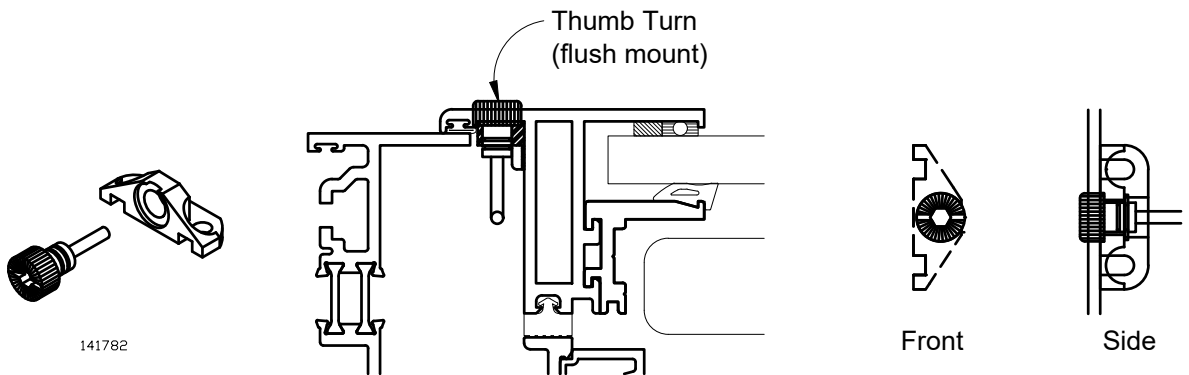
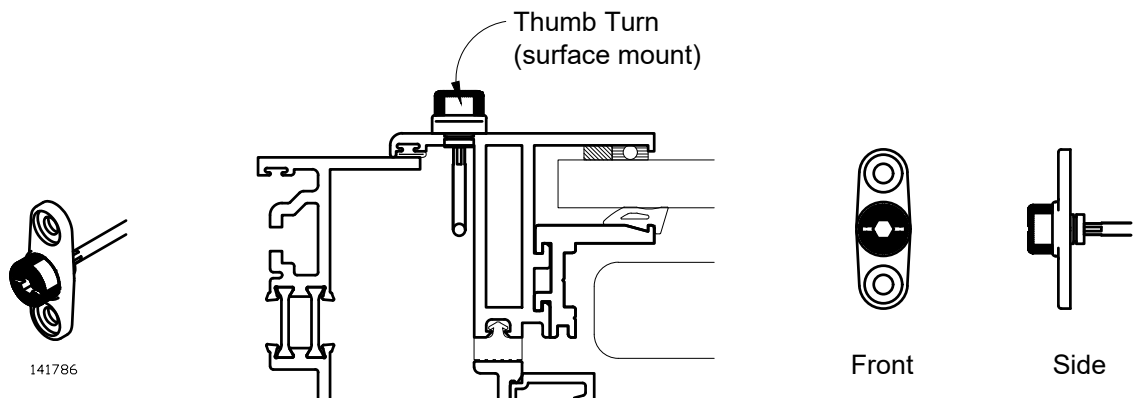
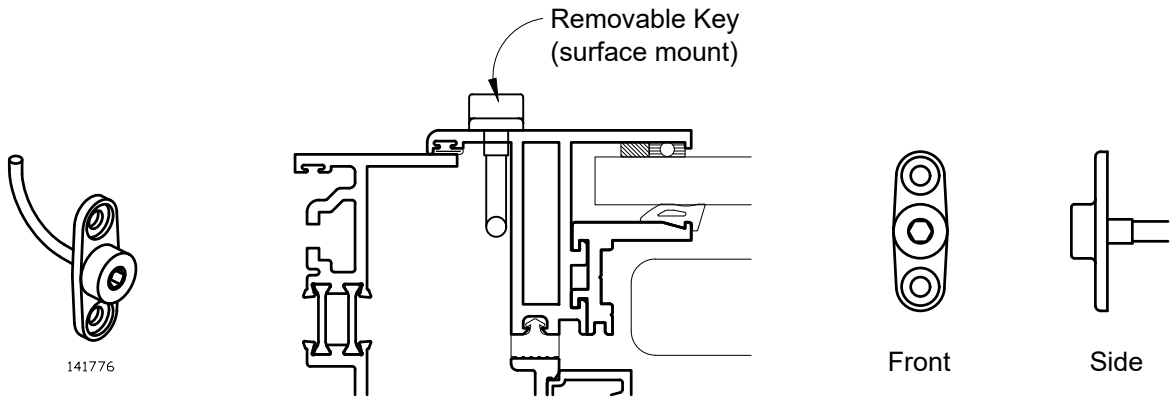
WAUSAU

WINDOW AND WALL
SYSTEMS

Accessories
Blind Knob Options

Architectural Windows

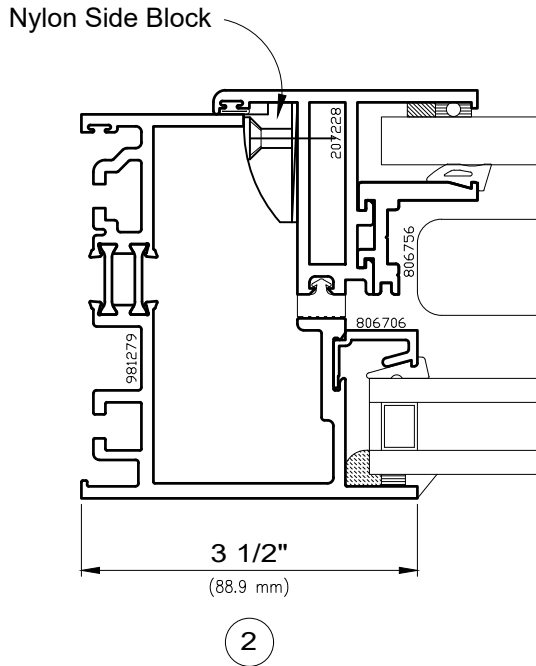
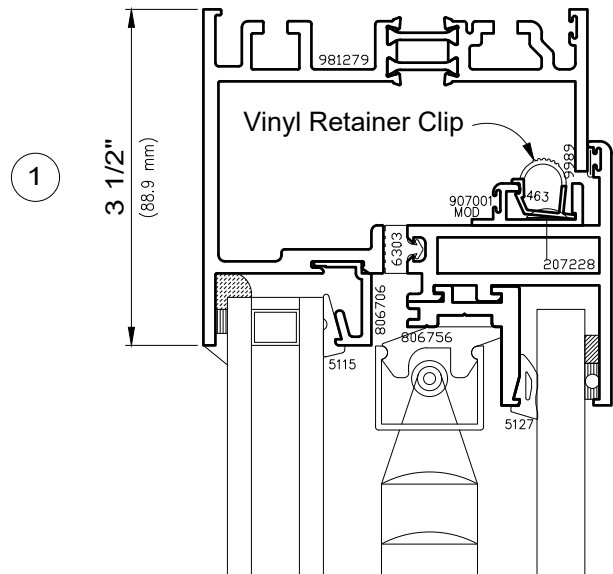
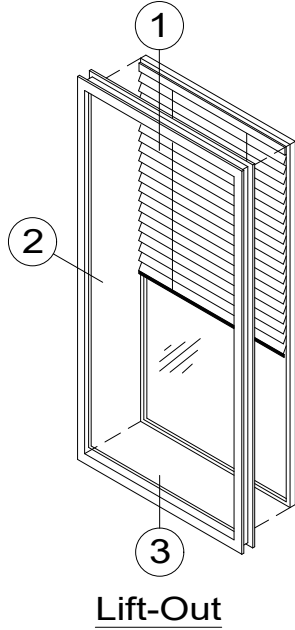
4000i-DT Series Behavioral Care





Architectural Windows

4000i-DT Series Behavioral Care



Lift-out
(optional)

