



WAUSAU

WINDOW AND WALL
SYSTEMS

Test Unit Elevations

Architectural Windows

3250/3250i-Z Series Zero Sightline

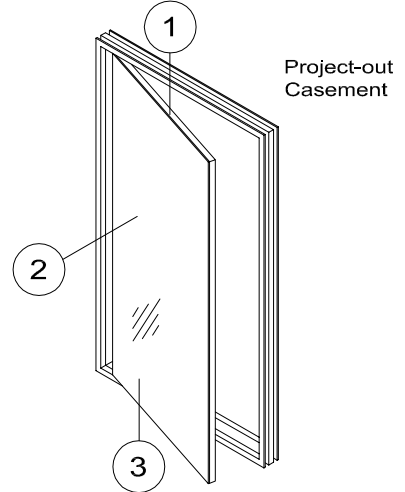
Elevations Viewed From The Exterior

Section Contents

Page(s)

Projected Details
Glazing

Z1-2 and Z1-3
Z2-4



AAMA Test Configurations (shown)

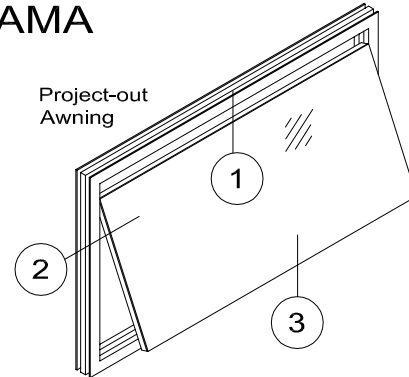
Architectural AW Class

For air, water, cycling and structural

Gateway Sizes

60" x 36" Projected 1524 mm x 914 mm
36" x 60" Casement 914 mm x 1524 mm

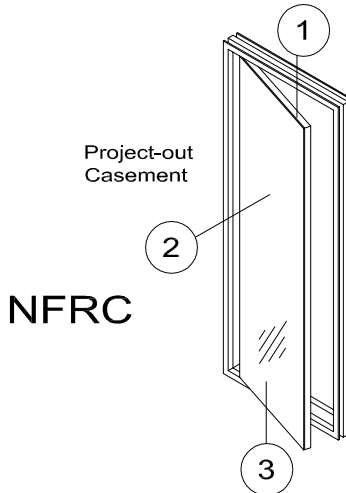
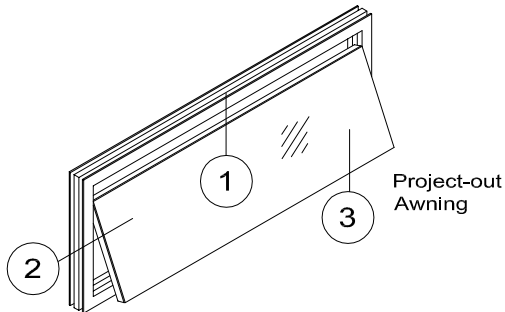
AAMA



NFRC 100 Thermal Test Configurations (shown)

For U-Factor, SHGC and CR

Projected Frame Size 59" x 24" 1500 mm x 600 mm
Casement Frame Size 24" x 59" 600 mm x 1500 mm



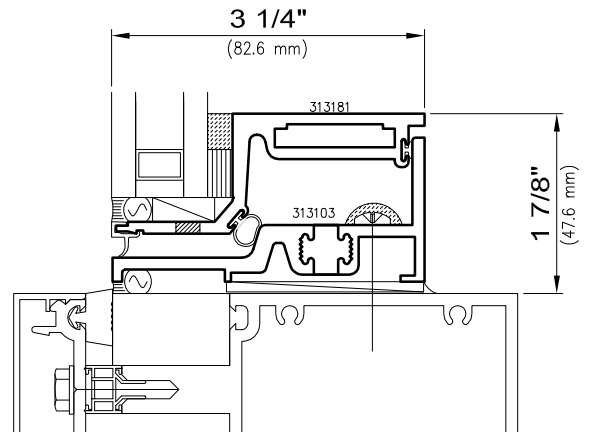
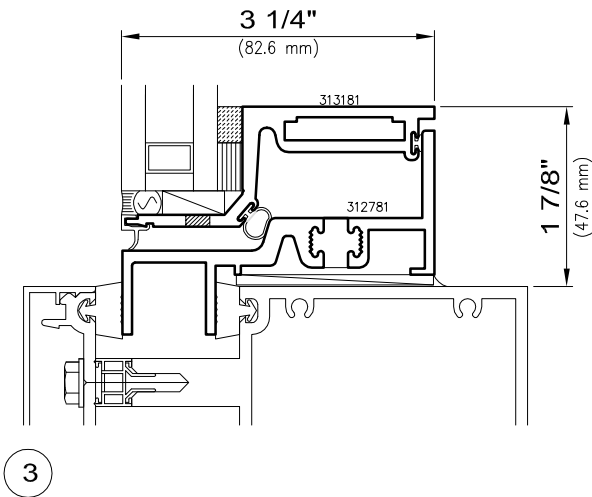
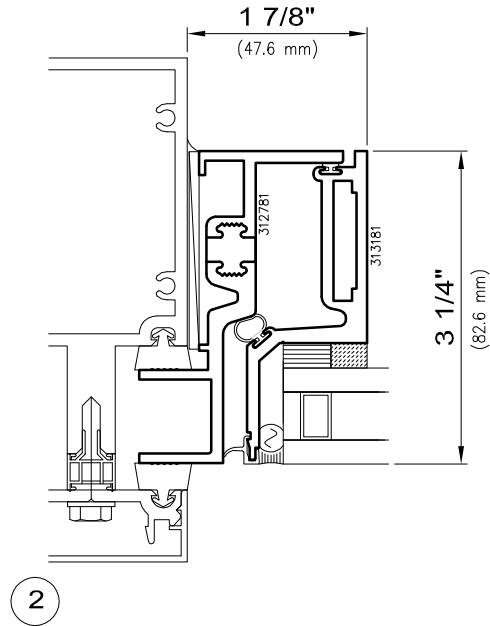
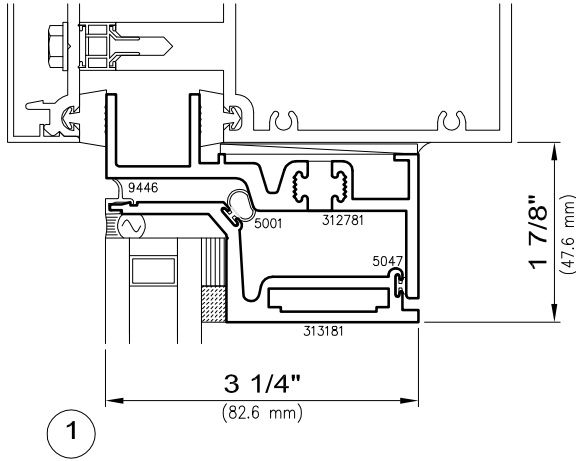
3250/3250i-Z Zero Sightline

Contact A Wausau Representative For Other Possible Configurations.



Architectural Windows

3250-Z Series Zero Sightline



Alternate Flat Back Frame

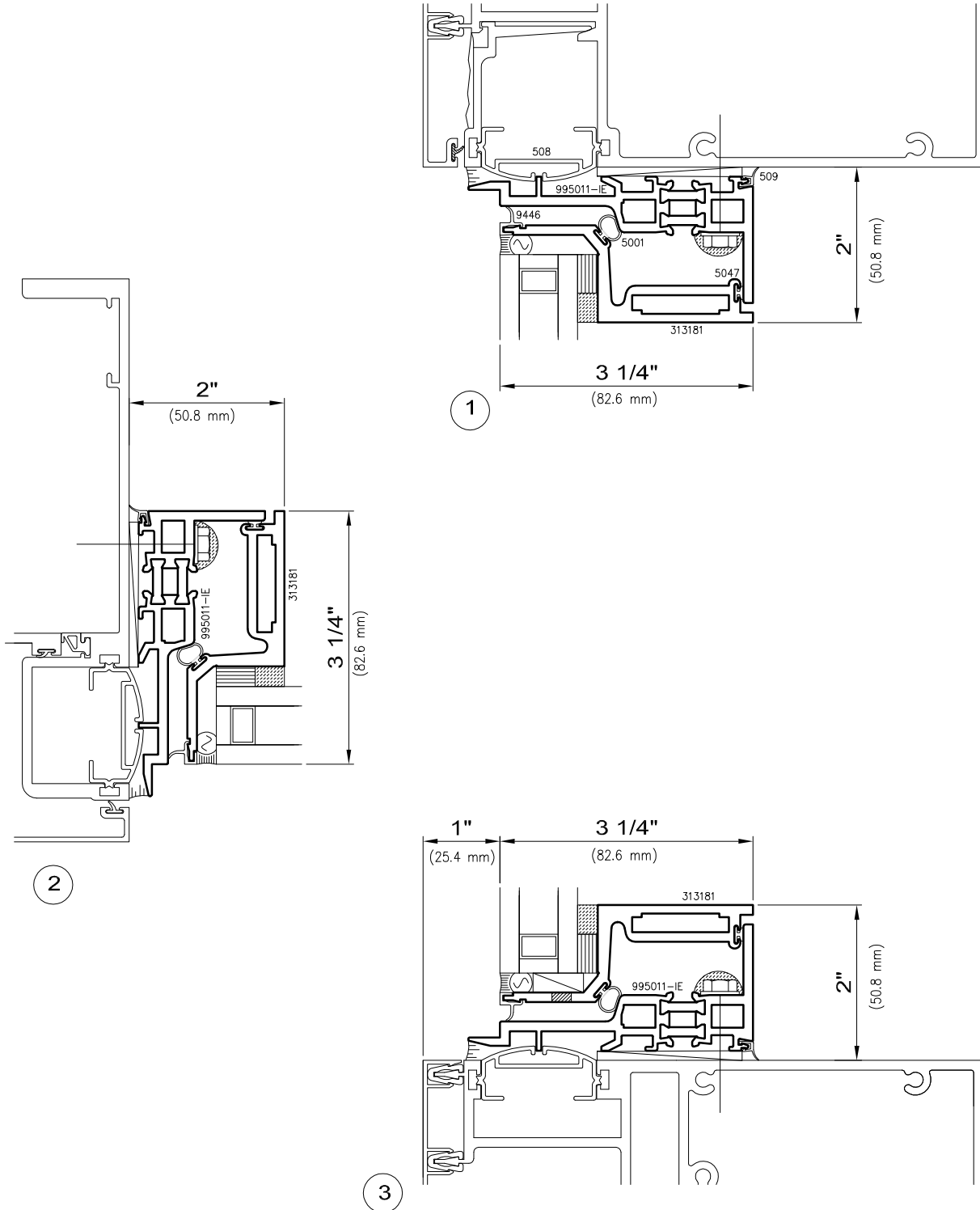
Read-through of glazing components may be evident from the exterior using certain glass types.



Architectural Windows

3250-Z Series Zero Sightline

Non-stocked items shown - Minimum order quantity may apply

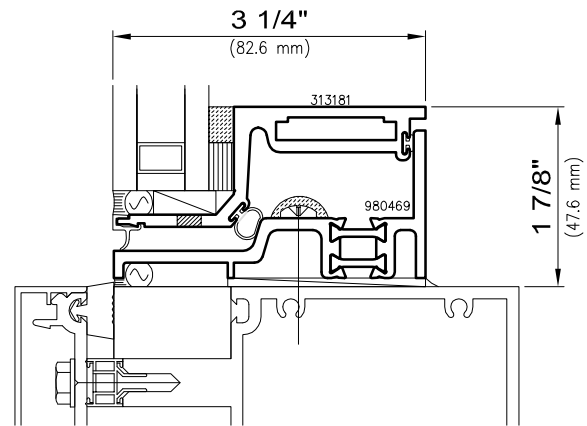
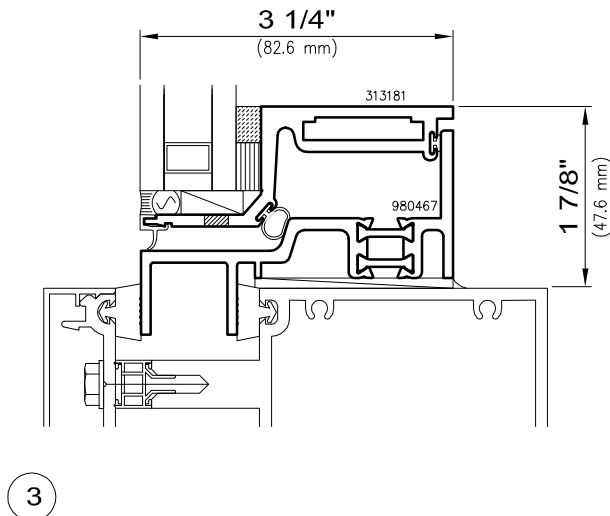
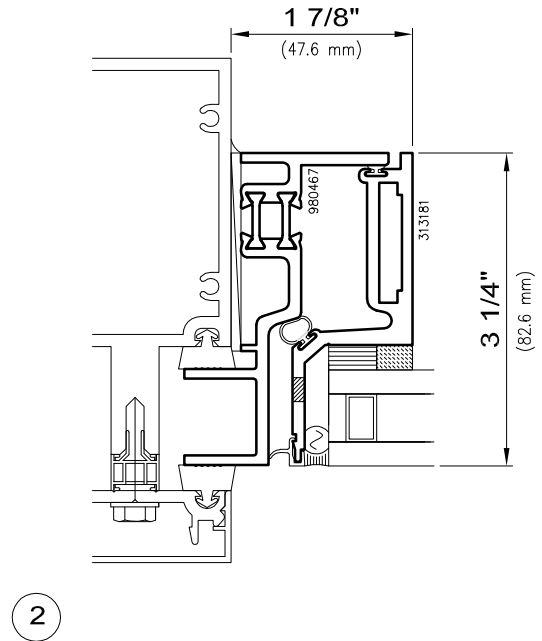
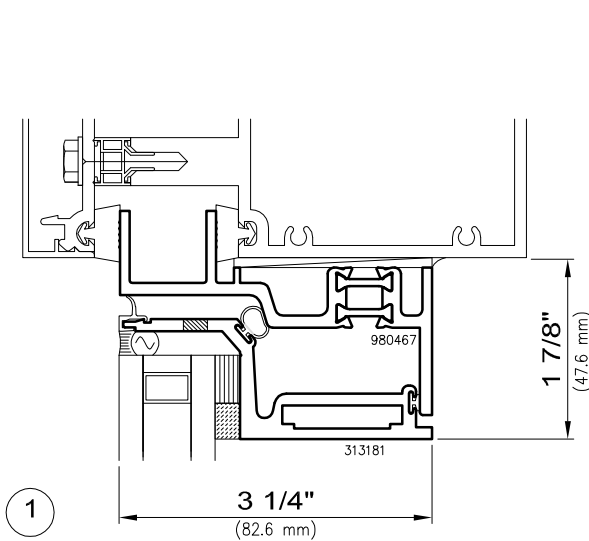


Read-through of glazing components may be evident from the exterior using certain glass types.



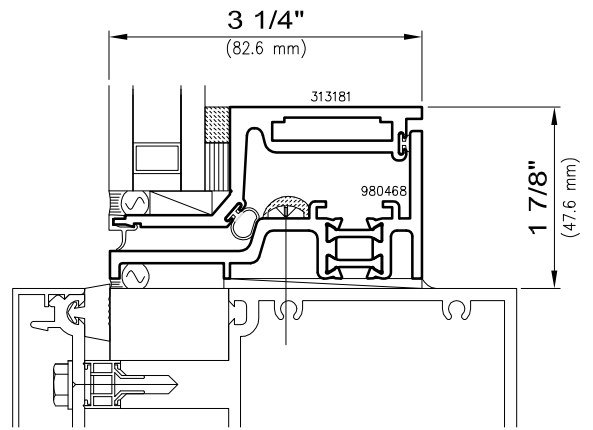
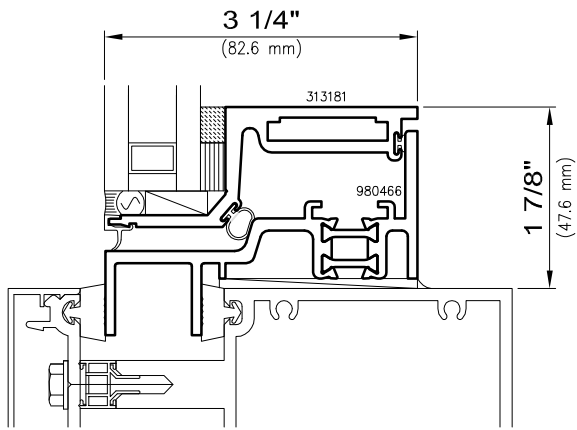
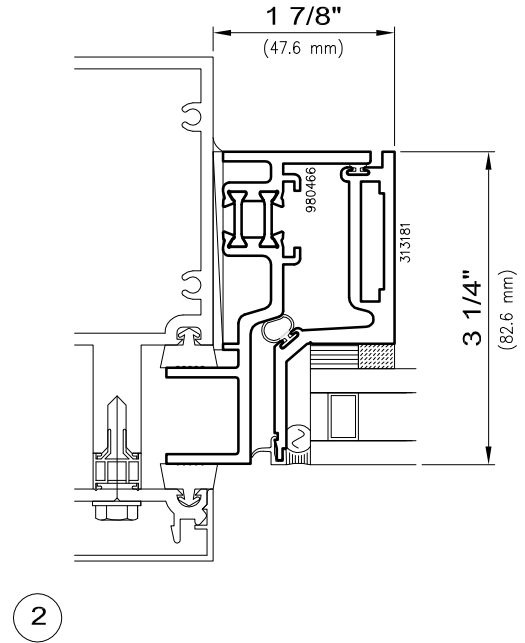
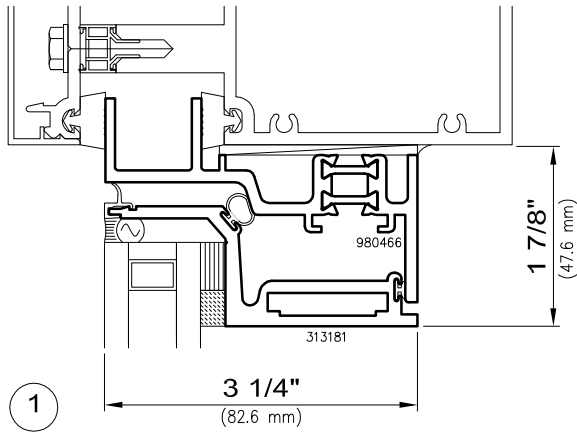
Architectural Windows

3250i-Z Series Zero Sightline



Alternate Flat Back Frame

Read-through of glazing components may be evident from the exterior using certain glass types.





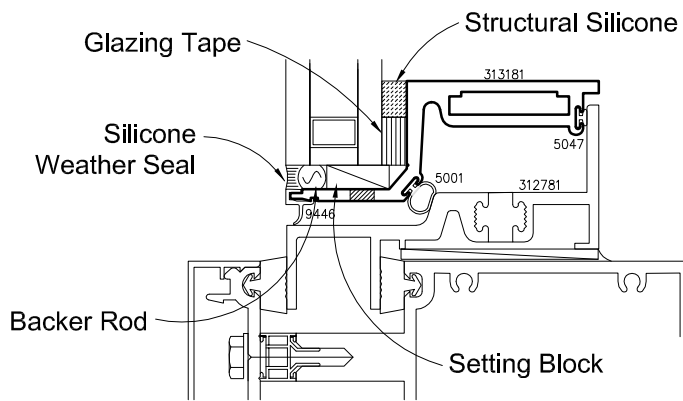
WAUSAU

WINDOW AND WALL
SYSTEMS

Glazing

Architectural Windows

3250-Z Series Zero Sightline



1" Insulating Glass
Structural Glazed