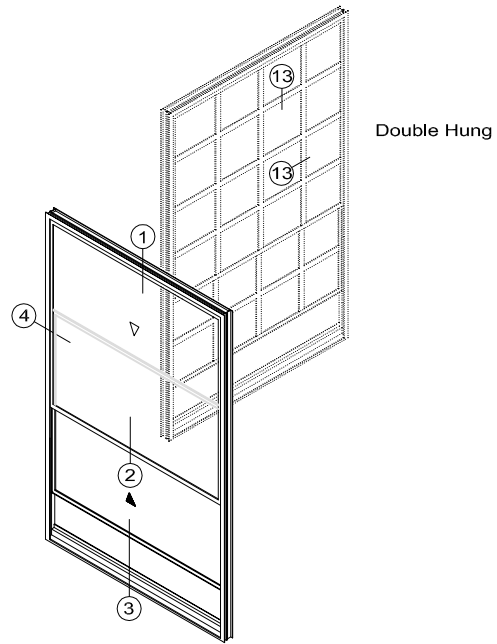


Architectural Windows

3150-DHT Double-Hung Tilt and Fixed Series

Elevations Viewed From The Exterior

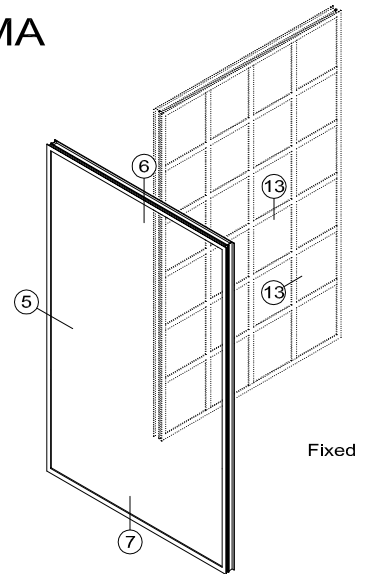
Section Contents	Page(s)
Details.....	H3-2 and H3-3
Mullion Stacks.....	H3-4 and H3-5
Glazing Options.....	H3-6
Blind Options.....	H3-7
Balances and Grid Options.....	H3-8
Accessories.....	H3-9 and H3-10



AAMA Test Configurations (shown)
Architectural AW Class
For air, water, cycling and structural

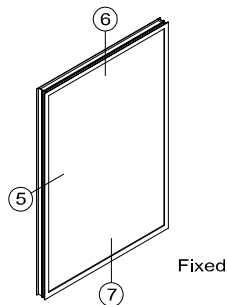
Fixed Frame Size	59" x 98"	Fixed	1500 mm x 2500 mm
Vertical Slider Size	59" x 98"	Type A	1500 mm x 2500 mm

AAMA

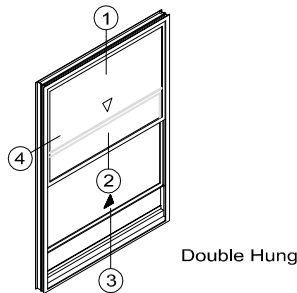


NFRC 100 Thermal Test Configurations (shown)
For U-Factor, SHGC and CR

Fixed Frame Size	47" x 59"	1200 mm x 1500 mm
Vertical Slider Size	47" x 59"	1200 mm x 1500 mm



NFRC

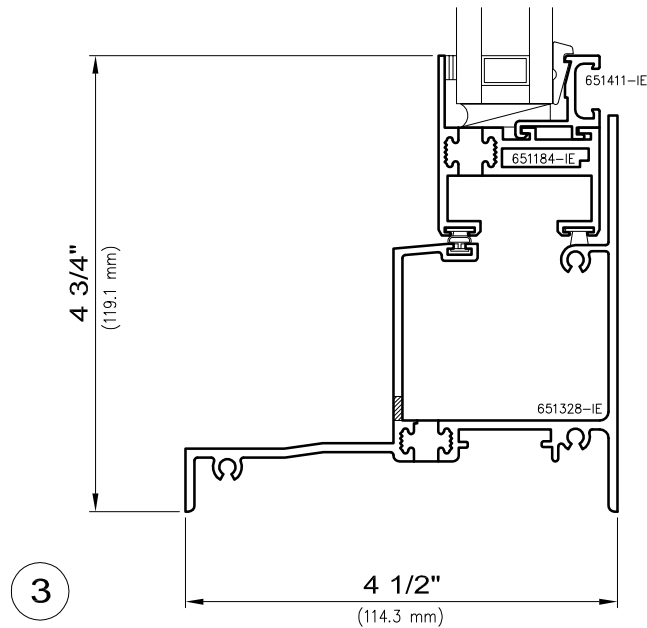
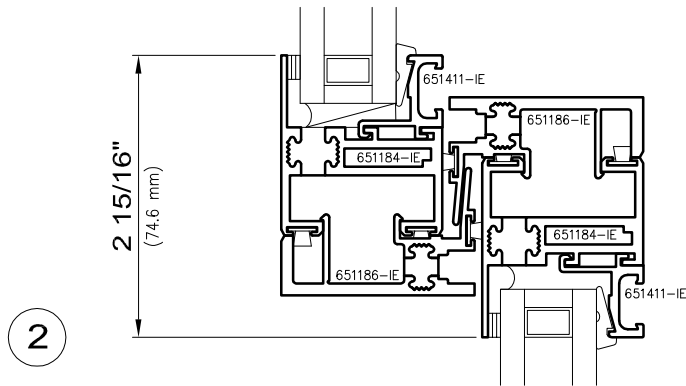
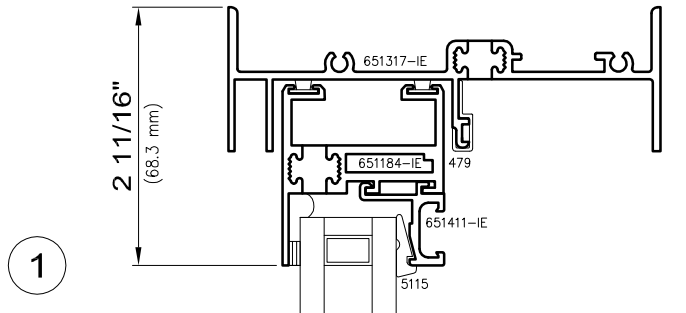


3150-DHT Series

Contact A Wausau Representative For Other Possible Configurations



Non-stocked items shown – Minimum order quantity may apply





WAUSAU

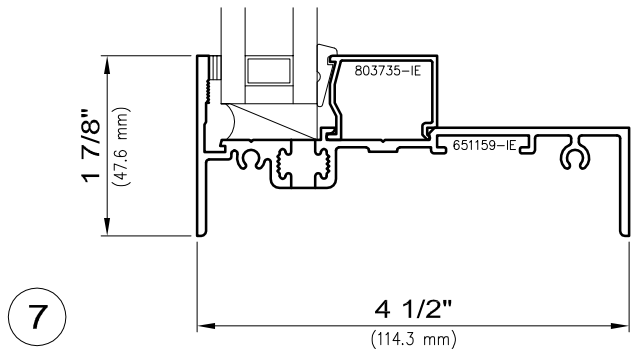
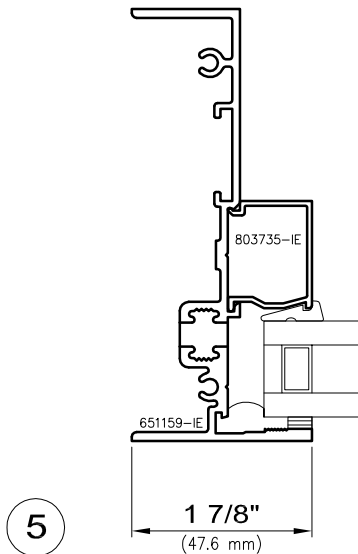
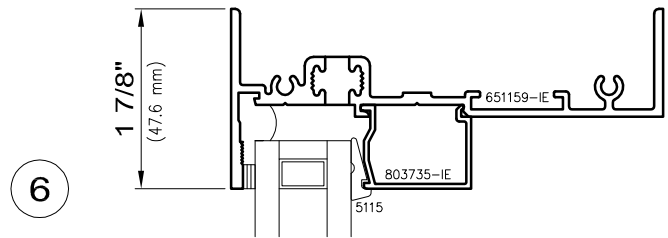
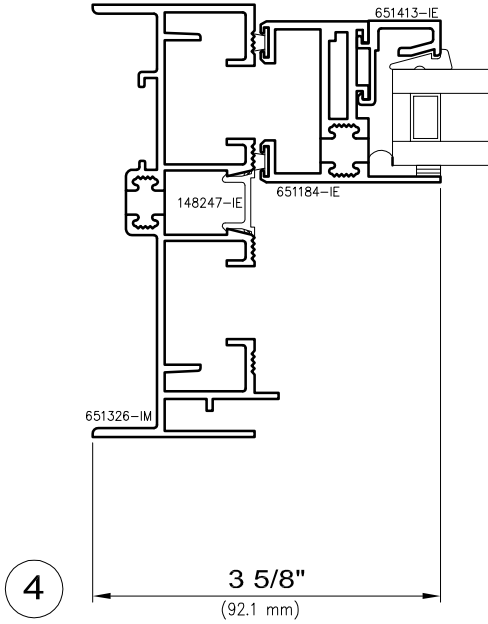
WINDOW AND WALL
SYSTEMS

Sliding and Fixed Details

Architectural Windows

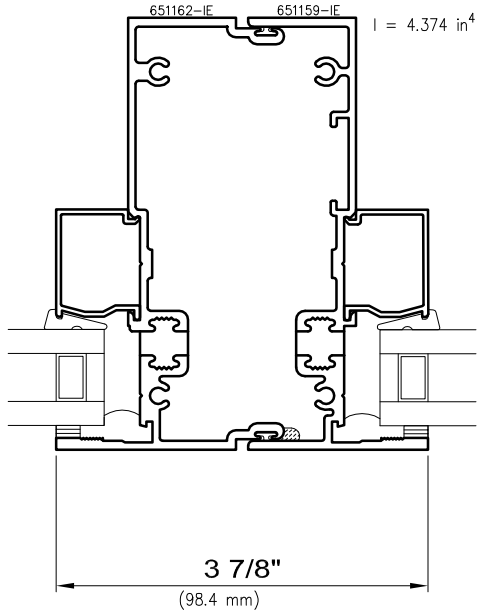
3150-DHT Series

Non-stocked items shown – Minimum order quantity may apply

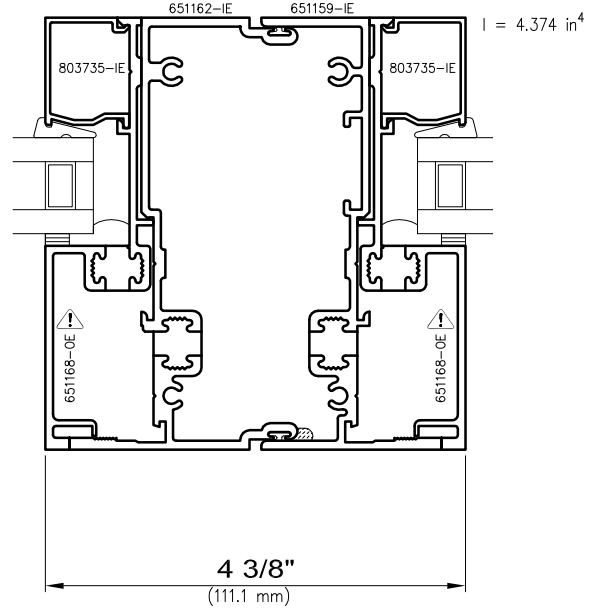




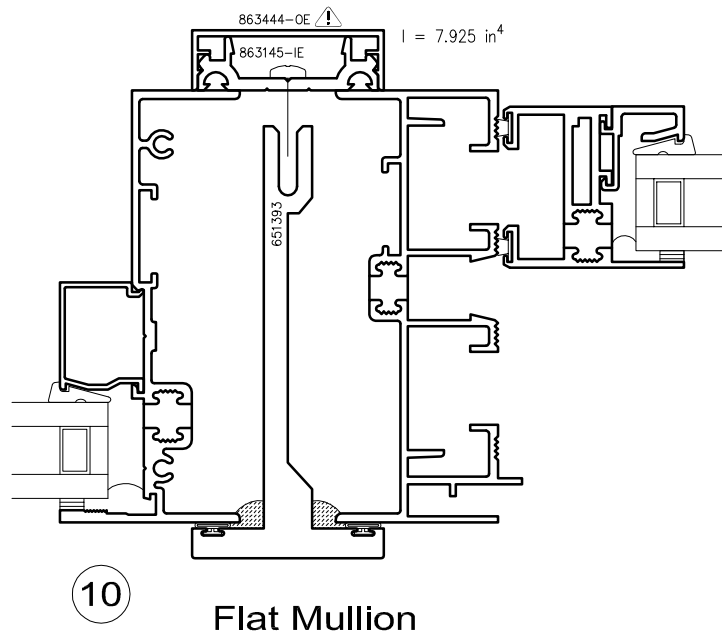
Non-stocked items shown – Minimum order quantity may apply



**Fixed/Fixed
Upper**



**Fixed/Fixed
Lower**



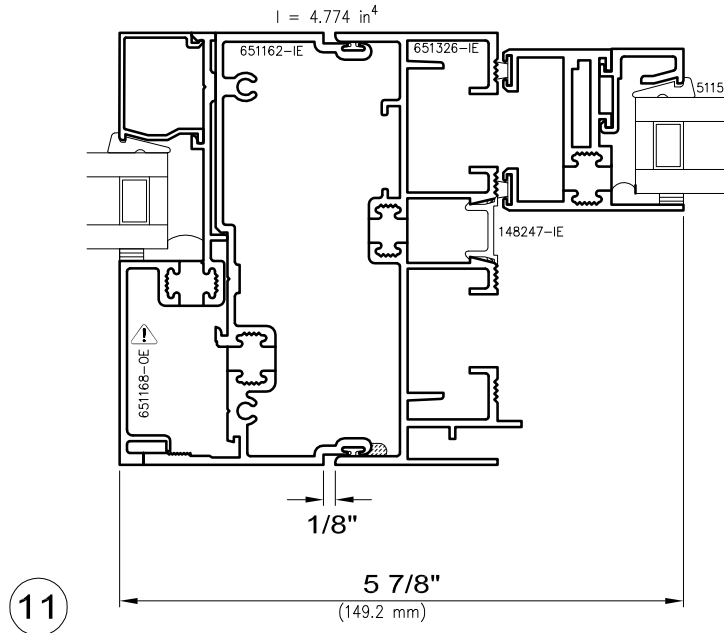
Flat Mullion

⚠ - OBSOLETE TOOLING STATUS

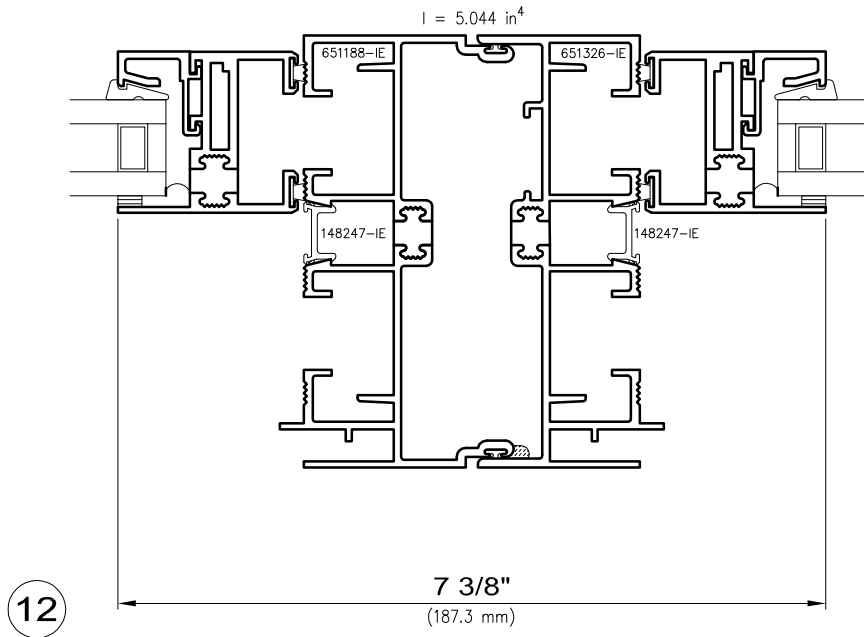
I-values indicated are for frame members only.
Thermal barrier shear reduction of 15% included.



Non-stocked items shown – Minimum order quantity may apply



Fixed/Operable



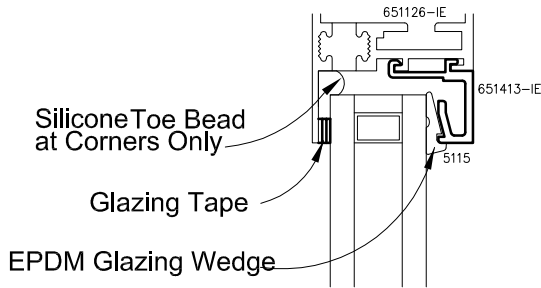
Operable/Operable

I-values indicated are for frame members only.
Thermal barrier shear reduction of 15% included.

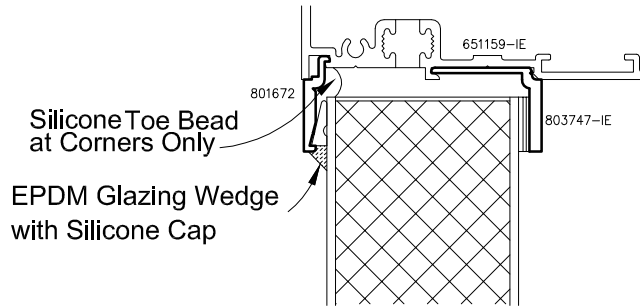
- OBSOLETE TOOLING STATUS



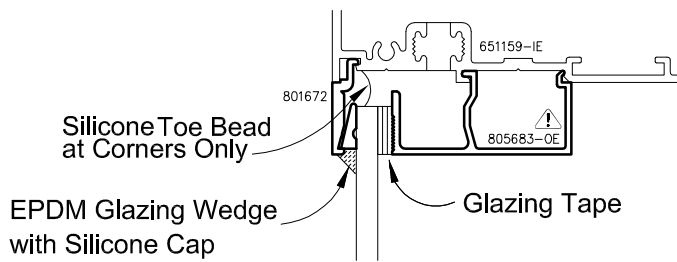
Non-stocked items shown – Minimum order quantity may apply



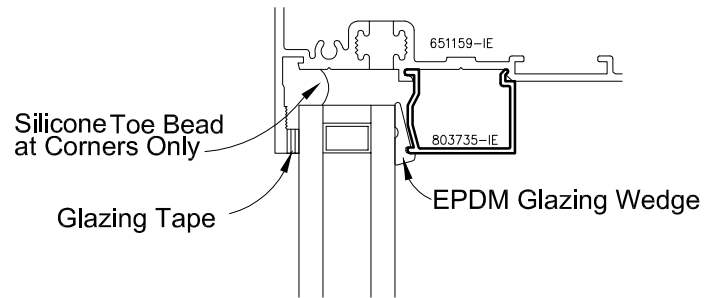
1" Insulating Glass
Operable Inside Glazed



2" Panel
Outside Glazed



1/4" Monolithic Glass
Fixed Outside Glazed



1" Insulating Glass
Fixed Inside Glazed

- OBSOLETE TOOLING STATUS



WAUSAU

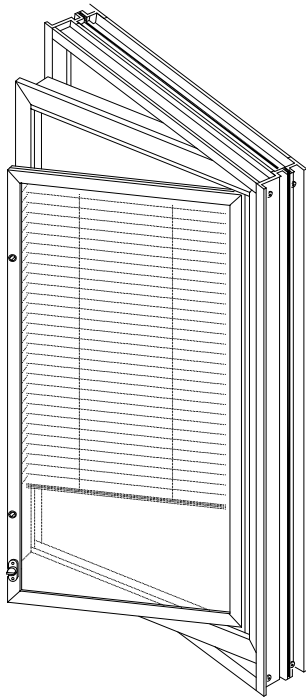
WINDOW AND WALL
SYSTEMS

Blind Options

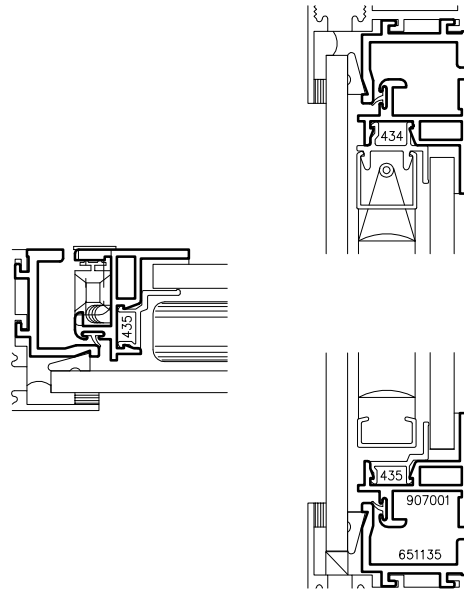
Architectural Windows

3150-DHT Series

Non-stocked items shown – Minimum order quantity may apply

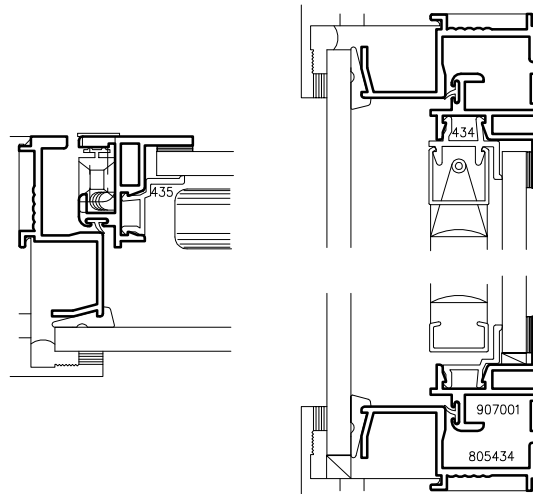


Hinged



5/8" Blind / Dual Glazed
At Operating Sash

1" Blinds are not available
on this system.



5/8" Blind / Dual Glazed
At Fixed Frame

⚠ - OBSOLETE TOOLING STATUS

SCALE: 6" = 1'-0"

H3-7

© 2015 Apogee Wausau Group, Inc.



WAUSAU

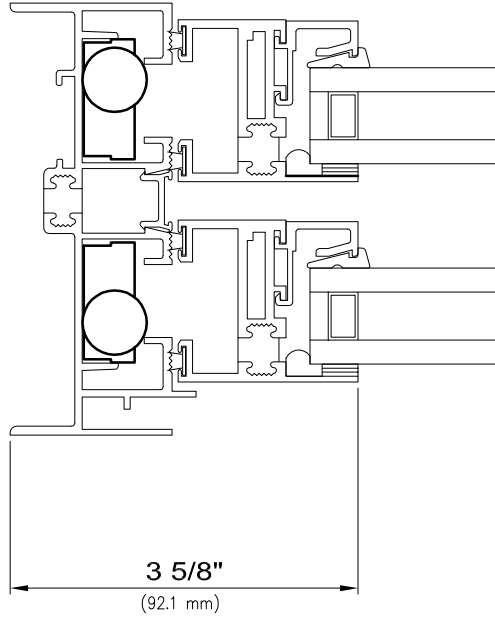
WINDOW AND WALL
SYSTEMS

Balances and Grid Options

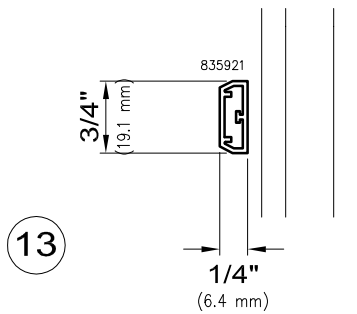
Architectural Windows

3150-DHT Series

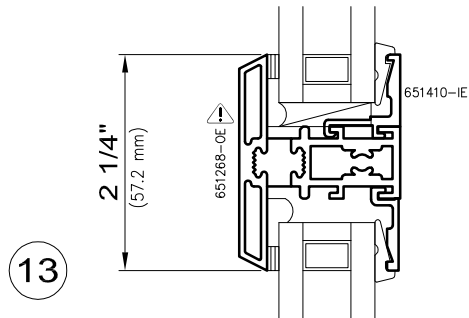
Non-stocked items shown – Minimum order quantity may apply



Standard Jamb
Caldwell Ultralift® Balances



Applied Muntin Grid



True Divided Lite

- OBSOLETE TOOLING STATUS



WAUSAU

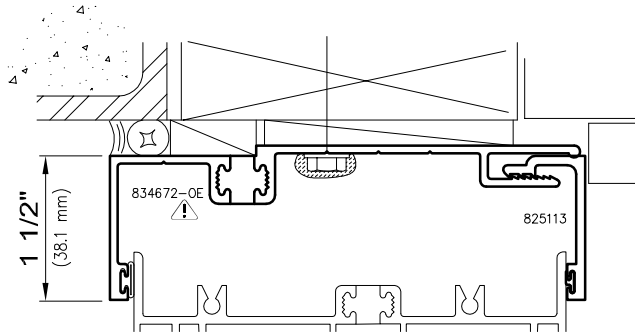
WINDOW AND WALL
SYSTEMS

Accessories
Head, Jamb, and Sill Starters

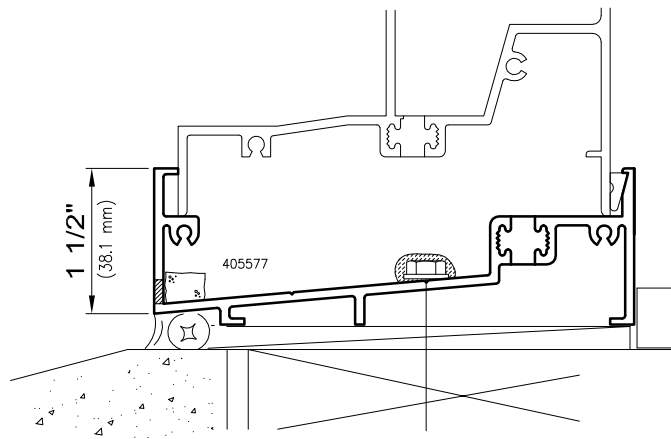
Architectural Windows

3150-DHT Series

Non-stocked items shown – Minimum order quantity may apply



Head & Jamb Starter



Sill Starter

⚠ - OBSOLETE TOOLING STATUS

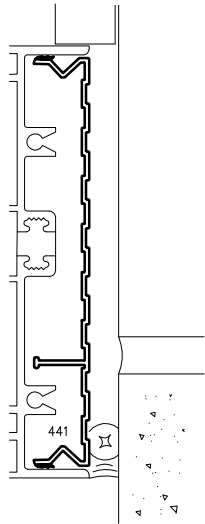
SCALE: 6" = 1'-0"

H3-9

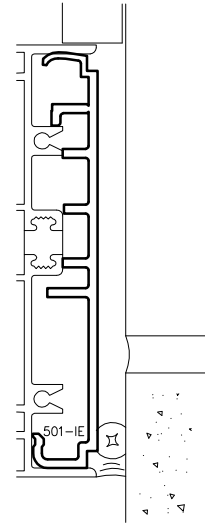
© 2015 Apogee Wausau Group, Inc.



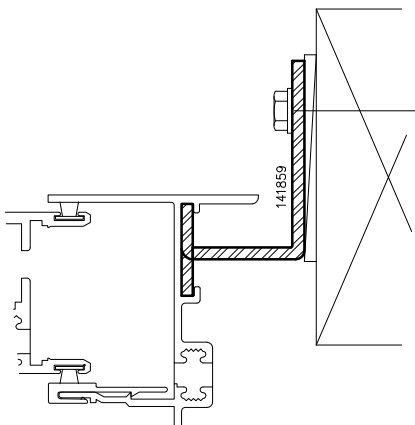
Non-stocked items shown – Minimum order quantity may apply



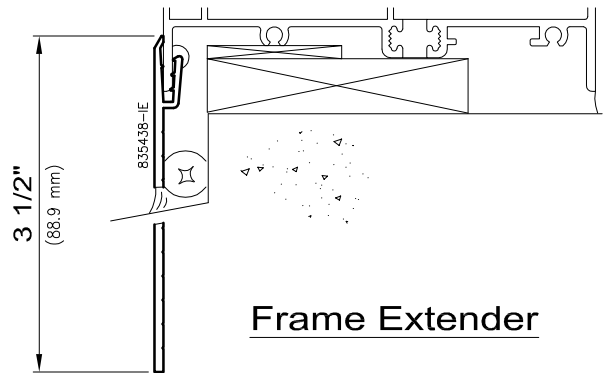
PVC Caulk Backer



PVC Shim Block



Twist-In Anchor
1/8" Formed Steel



Frame Extender

- OBSOLETE TOOLING STATUS