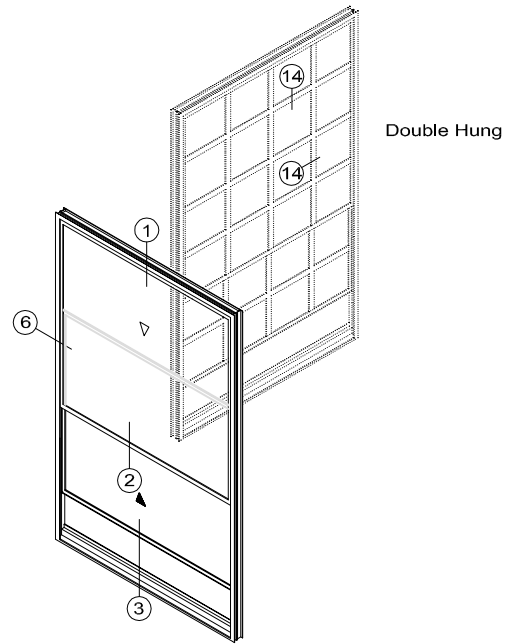


Architectural Windows

3100-DH Double Hung and Fixed Series

Elevations Viewed From The Exterior

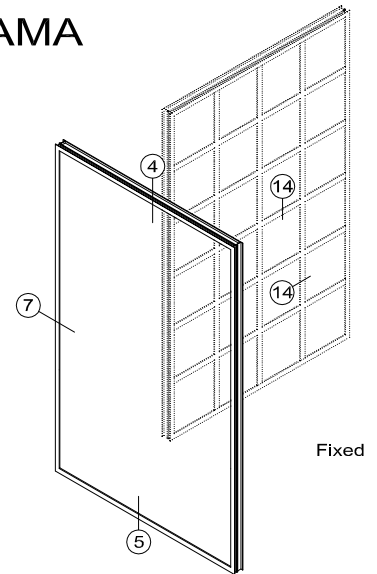
Section Contents	Page(s)
Details.....	H2-2 and H2-3
Mullion Stacks.....	H2-4 and H2-5
Glazing Options.....	H2-6
Blind Options.....	H2-7
Balances and Grid Options....	H2-8
Accessories.....	H2-9 and H2-10



AAMA Test Configurations (shown)
Architectural AW Class
For air, water, cycling and structural

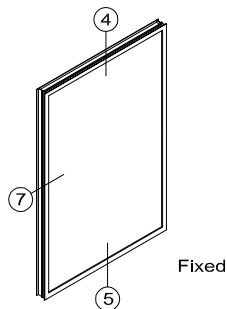
Fixed Frame Size	59" x 98"	Fixed	1500 mm x 2500 mm
Vertical Slider Size	59" x 98"	Type A	1500 mm x 2500 mm

AAMA

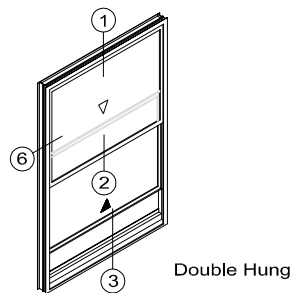


NFRC 100 Thermal Test Configurations (shown)
For U-Factor, SHGC and CR

Fixed Frame Size	47" x 59"	1200 mm x 1500 mm
Vertical Slider Size	47" x 59"	1200 mm x 1500 mm



NFRC

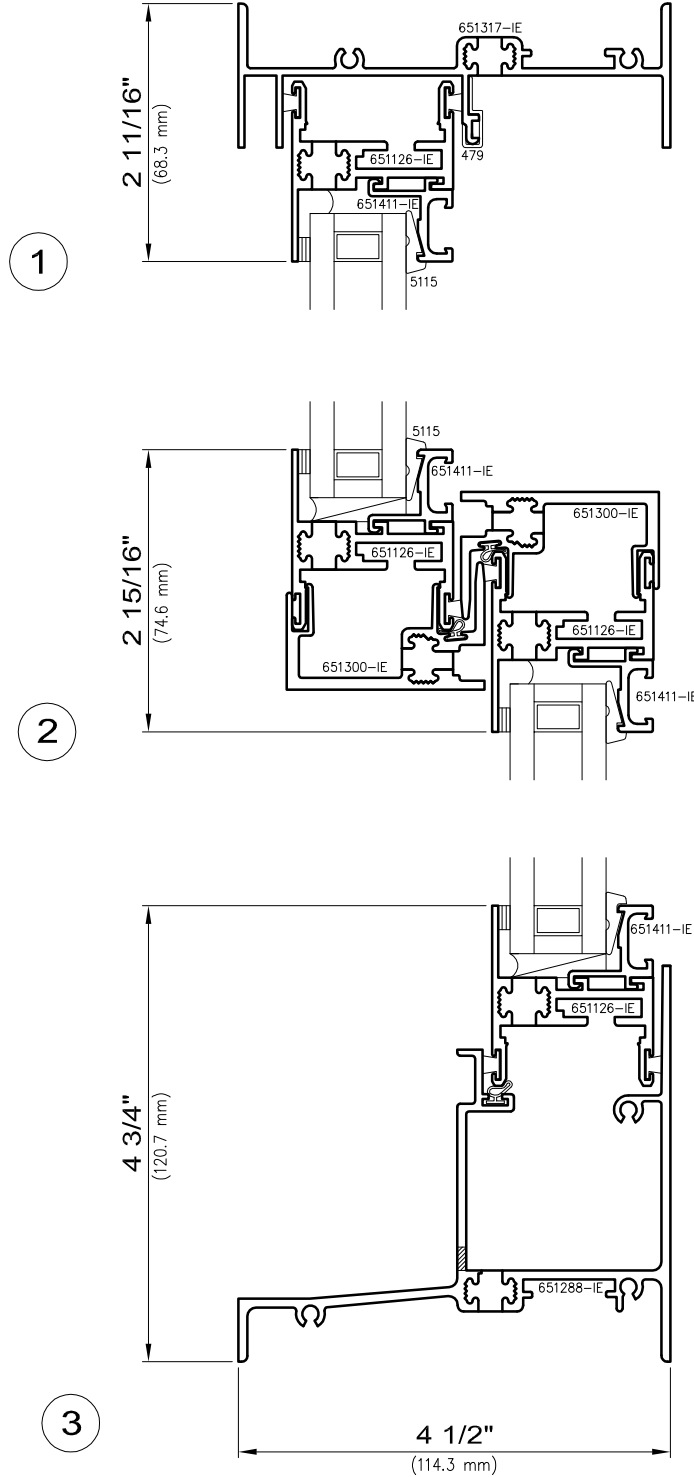


3100-DH Series

Contact A Wausau Representative For Other Possible Configurations



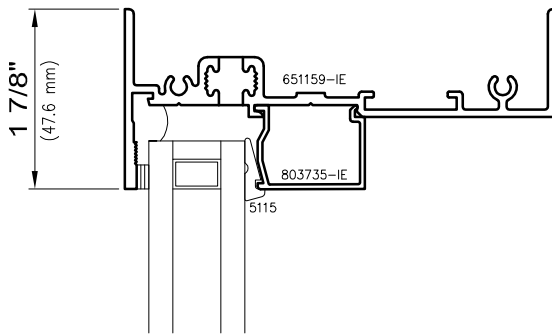
Non-stocked items shown – Minimum order quantity may apply



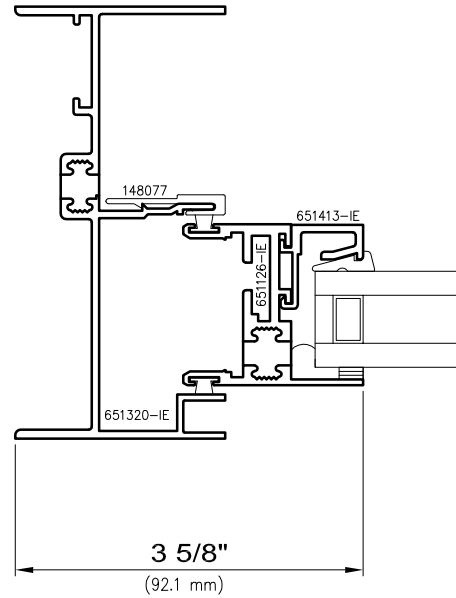


Non-stocked items shown – Minimum order quantity may apply

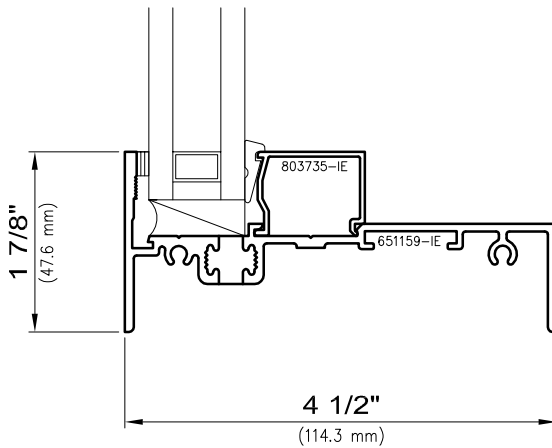
4



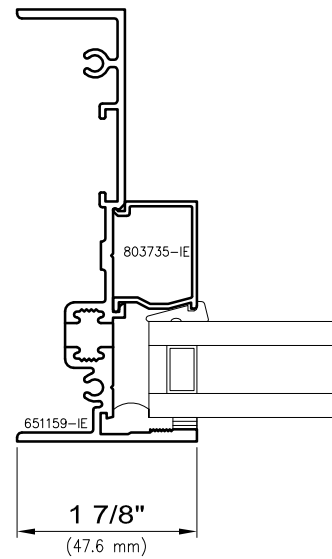
6



5

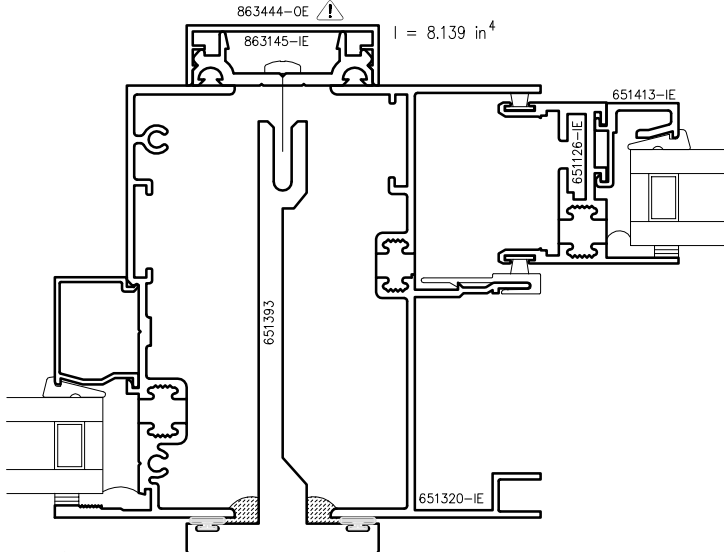


7

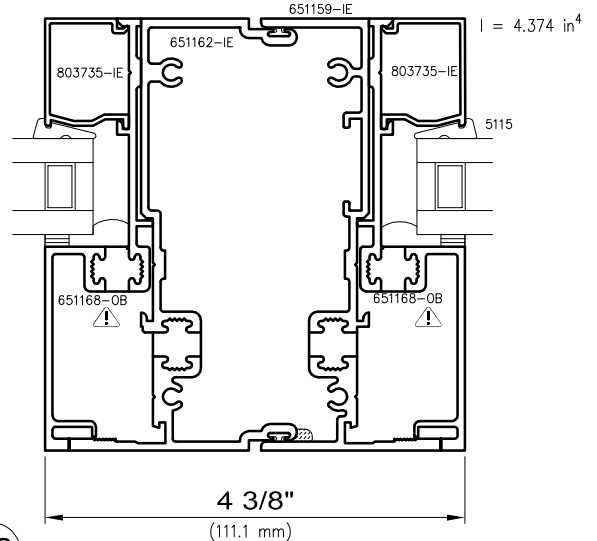




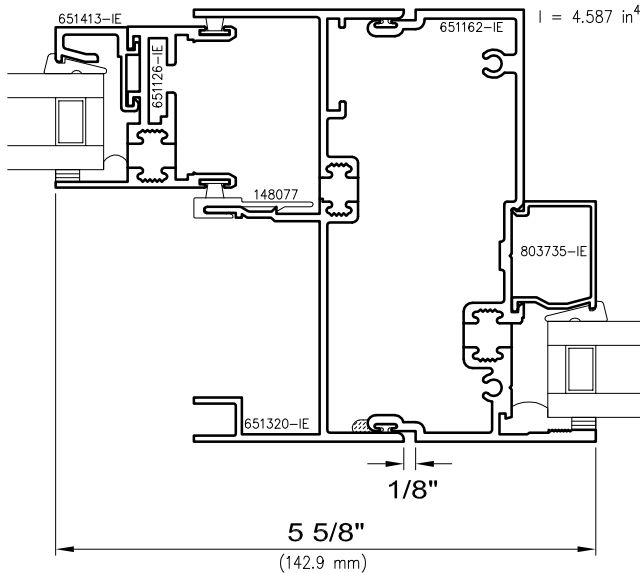
Non-stocked items shown – Minimum order quantity may apply



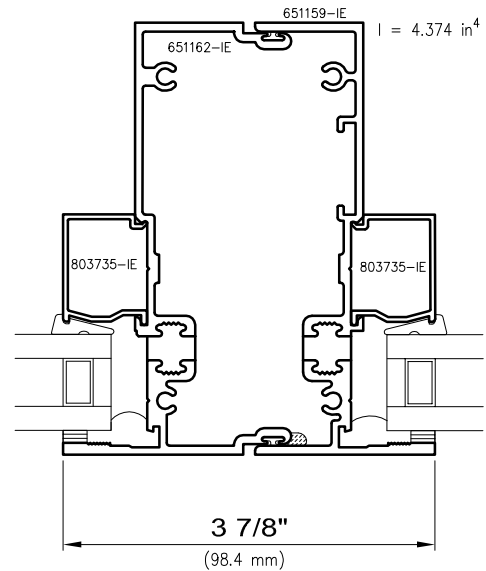
8 **Flat Mullion**



10 **Fixed/Fixed Lower**



9 **Operable/Fixed**



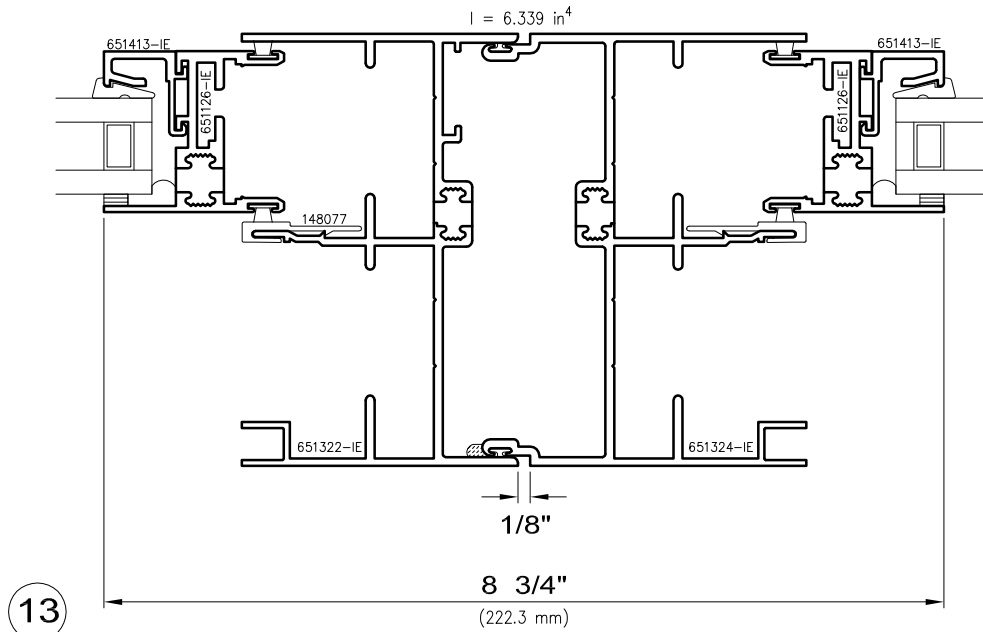
11 **Fixed/Fixed Upper**

I-values indicated are for frame members only.
Thermal barrier shear reduction of 15% included.

⚠ - OBSOLETE TOOLING STATUS



Non-stocked items shown – Minimum order quantity may apply

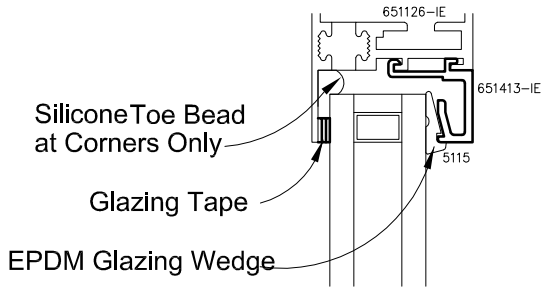


Operable/Operable
Ultralift® Balances

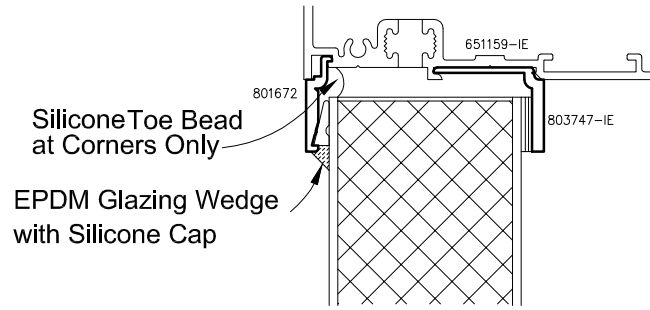
I-values indicated are for frame members only.
Thermal barrier shear reduction of 15% included.



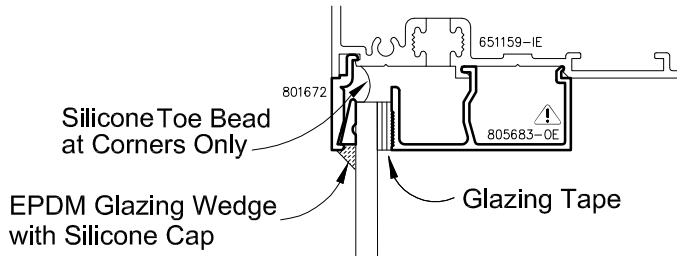
Non-stocked items shown – Minimum order quantity may apply



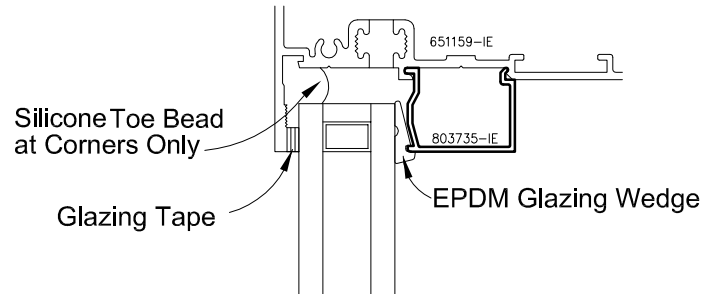
1" Insulating Glass
Operable Inside Glazed



2" Panel
Outside Glazed



1/4" Monolithic Glass
Fixed Outside Glazed



1" Insulating Glass
Fixed Inside Glazed

- OBSOLETE TOOLING STATUS



WAUSAU

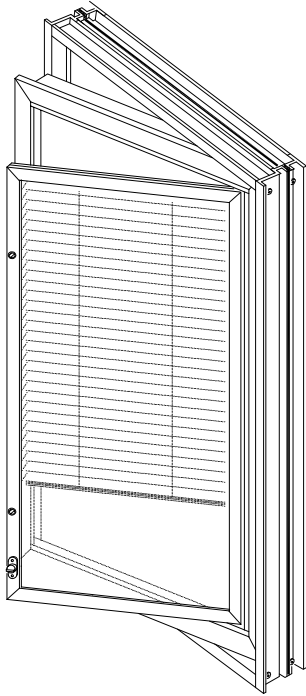
WINDOW AND WALL
SYSTEMS

Blind Options

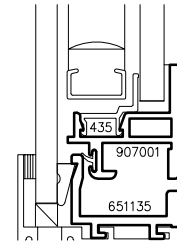
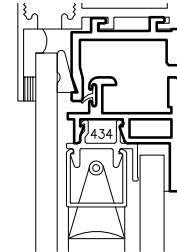
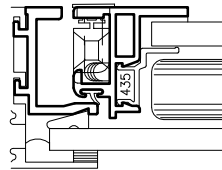
Architectural Windows

3100-DH Series

Non-stocked items shown – Minimum order quantity may apply

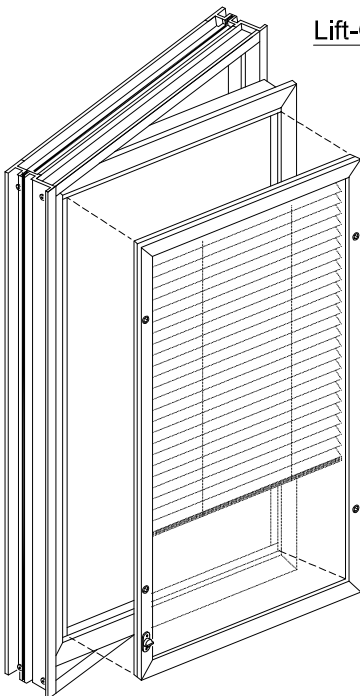


Hinged

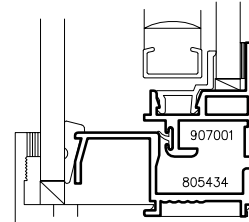
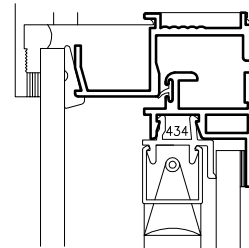
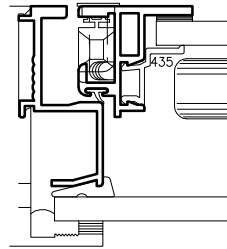


5/8" Blind / Dual Glazed
At Operating Sash

1" Blinds are not available
on this system.



Lift-Out



5/8" Blind / Dual Glazed
At Fixed Frame

⚠ - OBSOLETE TOOLING STATUS

SCALE: 6" = 1'-0"

H2-7

© 2015 Apogee Wausau Group, Inc.



WAUSAU

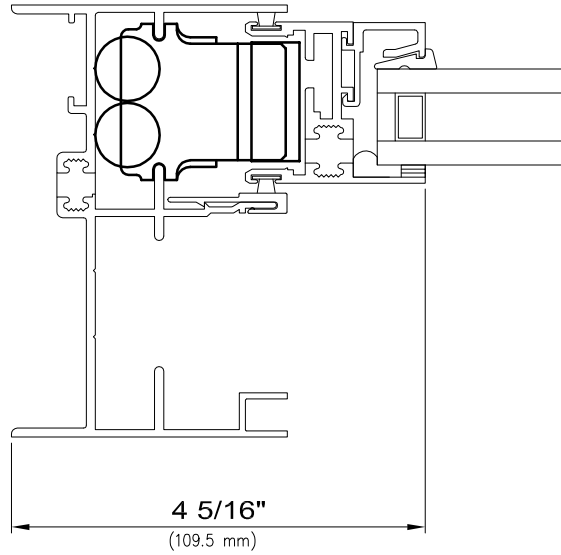
WINDOW AND WALL
SYSTEMS

Balances and Grid Options

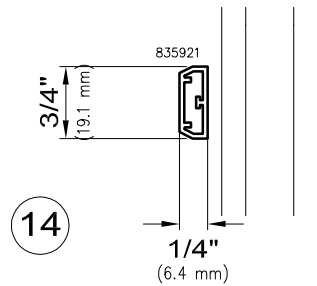
Architectural Windows

3100-DH Series

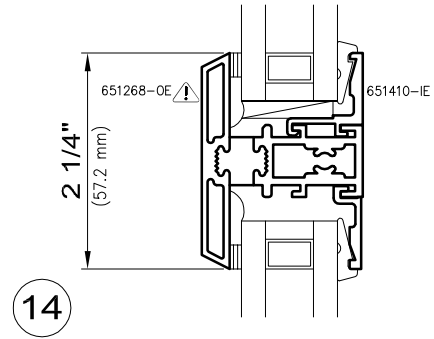
Non-stocked items shown – Minimum order quantity may apply



Standard Jamb
Caldwell Ultralift® Balances



Applied Muntin Grid



True Divided Lite



WAUSAU

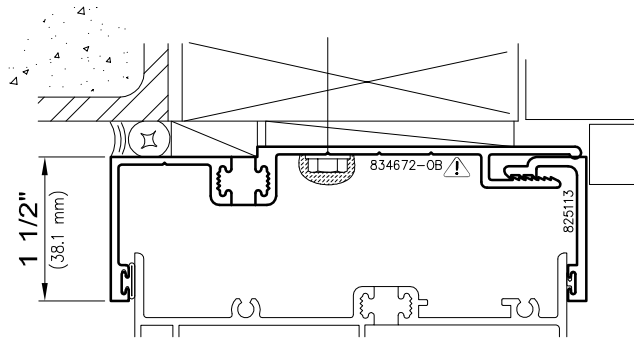
WINDOW AND WALL
SYSTEMS

Accessories
Head, Jamb, and Sill Starters

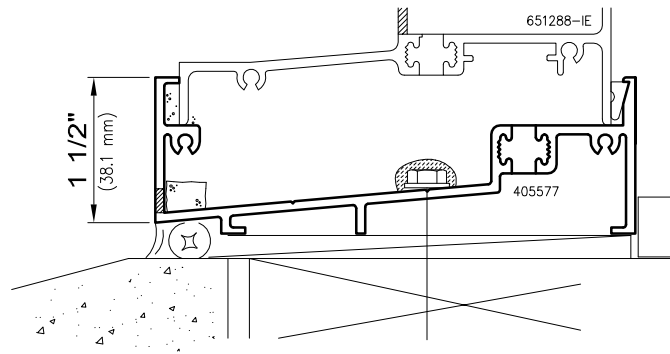
Architectural Windows

3100-DH Series

Non-stocked items shown – Minimum order quantity may apply



Head & Jamb Starter

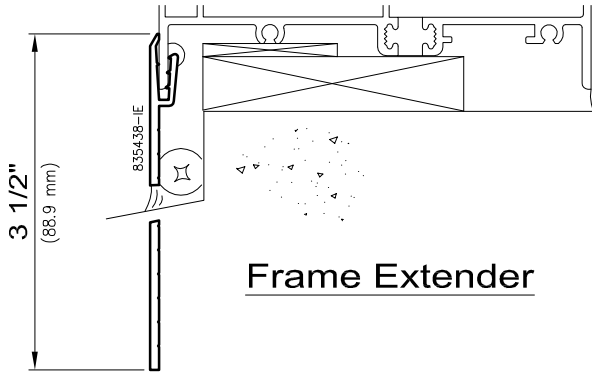


Sill Starter (6 psf)

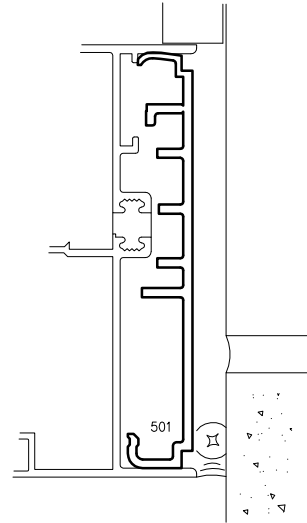
 - OBSOLETE TOOLING STATUS



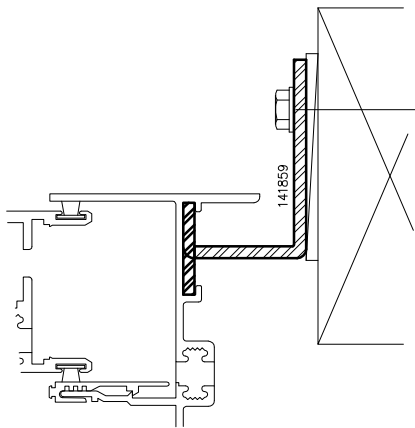
Non-stocked items shown – Minimum order quantity may apply



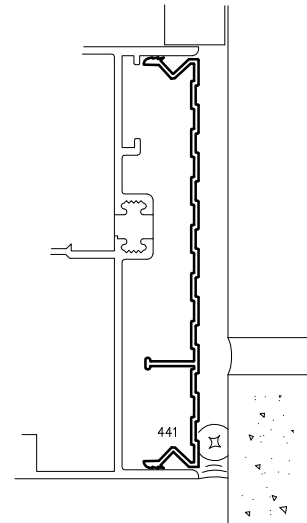
Frame Extender



PVC Shim Block



Twist-In Anchor
1/8\" Formed Steel



PVC Caulk Backer

- OBSOLETE TOOLING STATUS