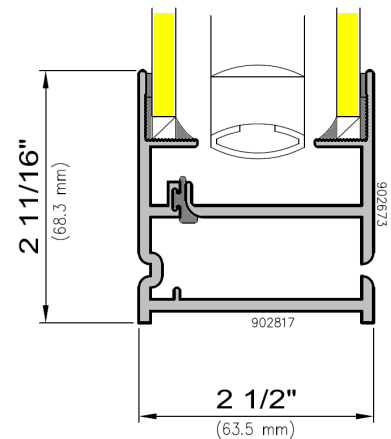


Leave existing windows in place, and control
Sound-Energy-Air-Light



Features

- ✓ Minimal frame depth to fit within existing window frame openings
- ✓ Enhances thermal and acoustical performance of weather-tight existing windows
- ✓ Side-hinged access doors with custodial locks
- ✓ 5/8" or 1" between-glass Venetian blinds available
- ✓ Slip-clutch blind tilt control knob
- ✓ Concealed blind raise-lower controls
- ✓ Mitered frame construction, corner-blocked tubular vents
- ✓ Dual glazed 2500 Series I.C.U. observation windows
- ✓ 2187-DT Series accepts security glazing, and is human impact tested to 2000 ft-lbs
- ✓ High recycled content aluminum framing



DISCLAIMER: Wausau Window and Wall Systems takes no responsibility for product selection or application, including, but not limited to, compliance with building codes, safety codes, laws, merchantability or fitness for a particular purpose; and further disclaims all liability for the use, in whole or in part, of this Technical Guide in preparation of project specifications and/or other documents. Technical Guides are subject to change at any time, without notice, and at Wausau's sole discretion. ©2021 Apogee Wausau Group, Inc.