

Wausau Zero-Sightline Curtainwall Insert Vents

Wausau 3250-Z, 3250i-Z and 4250-Z Zero-Sightline insert vents provide ventilation or roof access without intrusive exterior framing profiles. Life-cycle tested for durability, and certified up to AAMA AW100 Performance Class, insert vents offer high-rise performance - and adapt to almost any curtainwall or window wall mullion width, for two-side or four-side structural glazed, as well as captured wall systems.



Details

All -Z Series

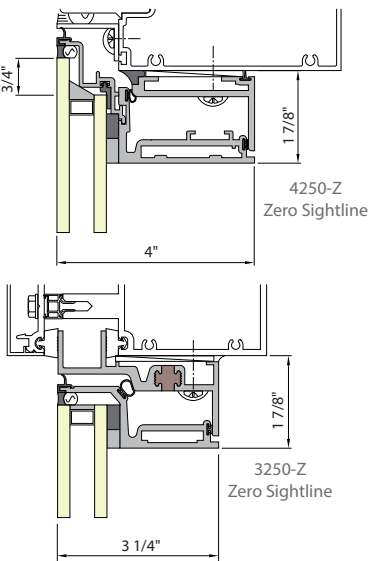
- Project-out awning or project-out casement only
- Mitered frame construction, corner-blocked tubular vents
- Factory silicone glazed for “no sag” performance in large vent sizes
- 1/8” principal wall thickness

4250-Z

- 4” frame depth
- Available for two- or four-side structural glazed curtainwall of varying face widths
- Multi-point locking system for “ADA” accessible operation
- Concealed stainless steel four-bar friction hinges only
- Easy-to-install “drop-in” perimeter frames available

3250-Z and 3250i-Z

- 3/4” frame depth with polyurethane or polyamide thermal barrier
- Glazed-in or “flat back” frame options
- Close-up butt hinges available



Series	Type	Maximum Size	AAMA Class Gateway Size	Water Test Pressure	NFRC U-Factor	CRF _{frame}
3250-Z and 3250i-Z	Awning	5'-0" x 3'-0" vent	AW 60	15.0 psf	0.46 to 0.66 BTU/hr.sqft.°F	48 to 52
	Casement	3'-0" x 5'-0" vent 5' x 7' custodial only				
4250-Z Multi-Lock	Awning	6'-0" x 5'-6" vent	AW 90	15.0 psf	0.39 to 0.72 BTU/hr.sqft.°F	67 to 68
	Casement	3'-0" x 5'-3" vent	AW 100			

Project-specific test results may vary



7800 International Drive, Wausau, WI 54401
1.877.678.2983



info@wausauwindow.com
wausauwindow.com

