

# Wausau HP-Wall Series Window Wall and Curtainwall

Wausau offers HP-Wall™ Series high performance curtainwall with up to a four-level thermal barrier system providing the ultimate in thermal and acoustical performance. HP-Wall is the perfect solution for low U-Factors and occupant comfort, as well as resisting condensation in high-humidity applications such as hospitals, museums, laboratories and research facilities.

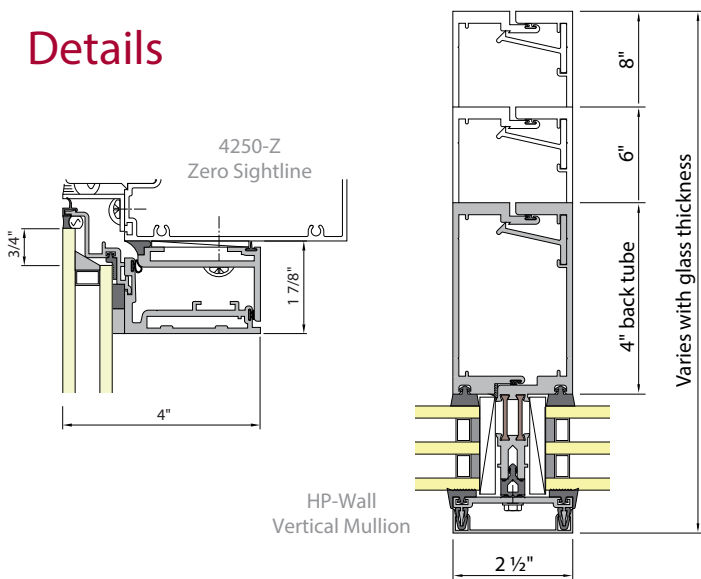
## Features

- Best-in-class thermal performance lowers operating costs and reduces necessary HVAC capacity
- Condensation resistance for high-humidity applications
- Pressure-equalized rain screen design tested to 15 psf static and dynamic water penetration resistance
- Narrow 2 1/2" mullion sightlines - 4", 6" or 8" back tube depth with screw-spline construction
- Multi-level thermal barrier
- Accepts triple insulating glass
- Captured or two-side structural silicone glazed
- Familiar, proven, pressure-plate field glazed design
- 4250-Z zero sightline multi-lock insert vents available for accessible natural ventilation
- Exterior sun shades available to block solar heat gain; interior light shelves for natural daylight harvest
- Add Wausau 2187-DT "drop tested" interior accessory windows for behavioral care adaptive re-use in hospitals



Adams County (Colorado) Justice Center · Heery International

## Details



**WAUSAU**

WINDOW AND WALL  
SYSTEMS

Allowable Air	Water	NFRC U-Factor	CRF <sub>frame</sub>	STC
0.06 cfm/sqft at 6.24 psf	15 psf	0.18 to 0.52 BTU/hr.sqft.°F	78 to 83	31 to 53 OITC 25 to 43

Test results may vary



7800 International Drive, Wausau, WI 54401

1.877.678.2983

info@wausauwindow.com

wausauwindow.com

