

Flat	SC-2
Wicket	SC-3
Access Panel	SC-4
Hinged	SC-5
Double/Single Hung	SC-6
Horizontal Rolling	SC-7 and SC-8
Sliding Door	SC-9
Vandal Screen	SC-10 and SC-11

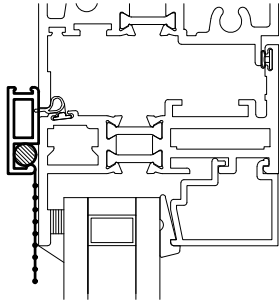
SCREENS

Contact A Wausau Representative For Other Possible Configurations.

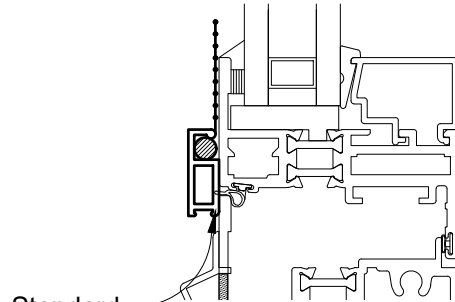


Architectural Window Accessories

Screens

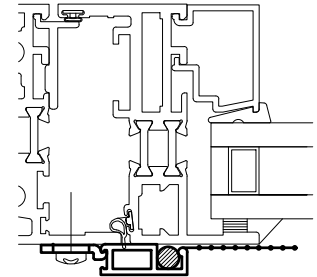


Head



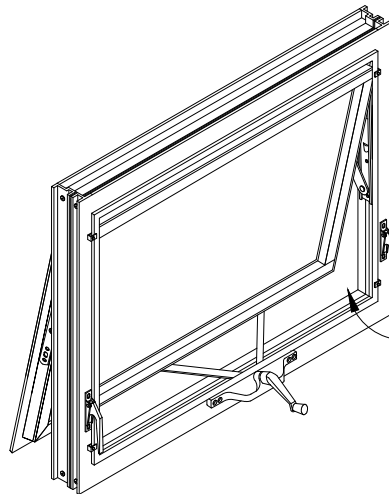
Standard
3/16" Overlap

Sill



Jamb

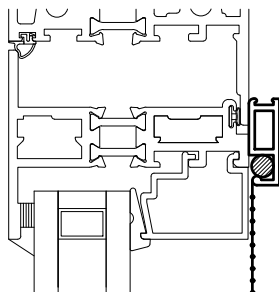
Project-In



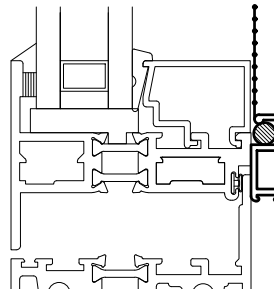
Screen, Aluminum Mesh 18 X 16
With 0.011" Dia. Wire,
Mill or Charcoal Finish
(Options: Stainless Mesh 18 X 16
With 0.009" Dia. Wire, Natural
Finish or Painted Colors)

Elevation Shown As Viewed From The Interior

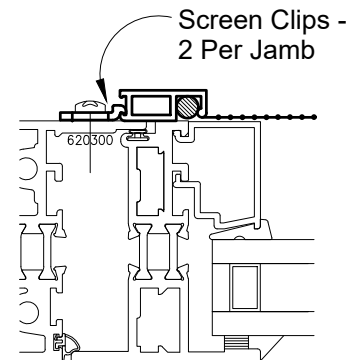
Project-Out



Head



Sill



Screen Clips -
2 Per Jamb

Jamb



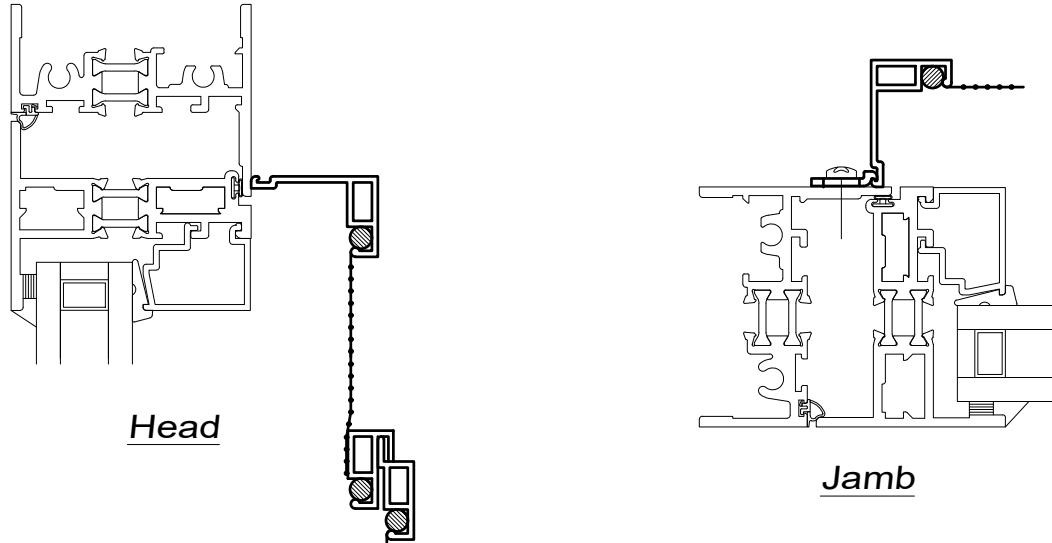
WAUSAU

WINDOW AND WALL
SYSTEMS

Wicket Screens

Architectural Window Accessories

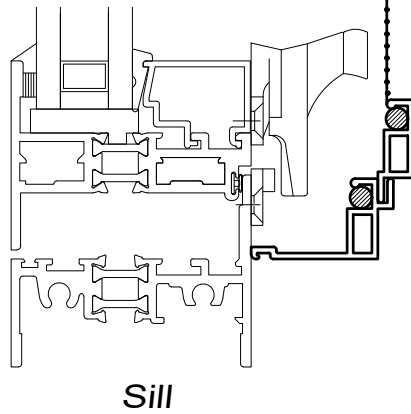
Screens



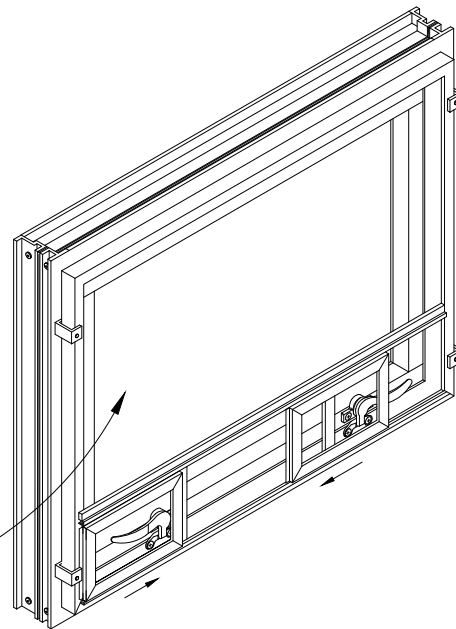
Head

Jamb

Elevation Viewed From The Interior



Sill



Screen, Aluminum Mesh 18 X 16
With 0.011" Dia. Wire,
Mill or Charcoal Finish

(Options: Stainless Mesh 18 X 16
With 0.009" Dia. Wire, Natural
Finish or Painted Colors)

Wicket Screen Required When Cams Are
Used On Outward-Projected Windows



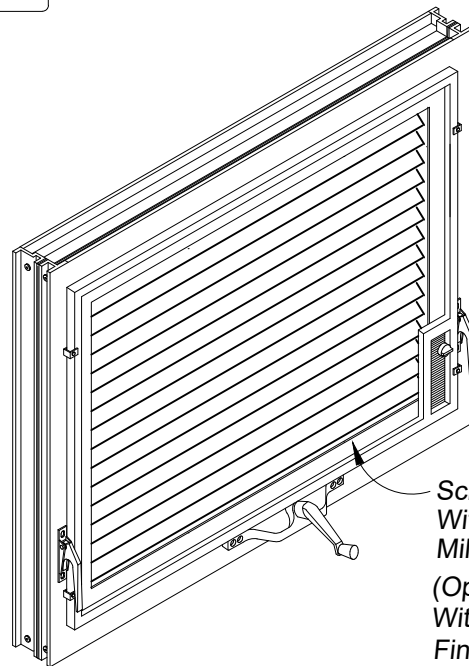
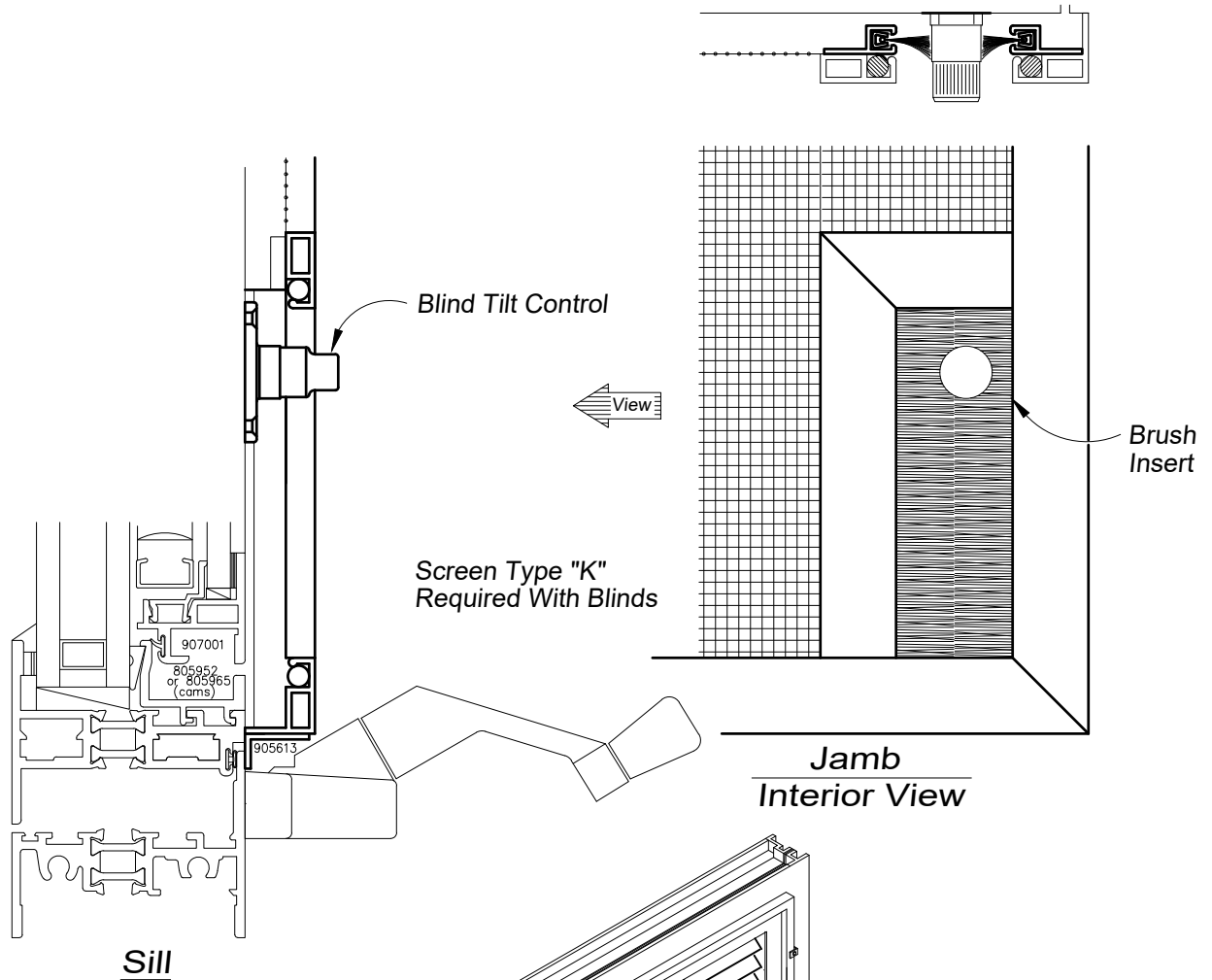
WAUSAU

WINDOW AND WALL
SYSTEMS

Access Panel Screens

Architectural Window Accessories

Screens



Screen, Aluminum Mesh 18 X 16
With 0.011" Dia. Wire,
Mill Or Charcoal Finish
(Options: Stainless Mesh 18 X 16
With 0.009" Dia. Wire, Natural
Finish or Painted Colors)

Elevation Viewed From The Interior



WAUSAU

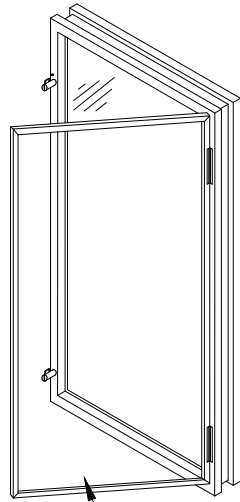
WINDOW AND WALL
SYSTEMS

Hinged Screens

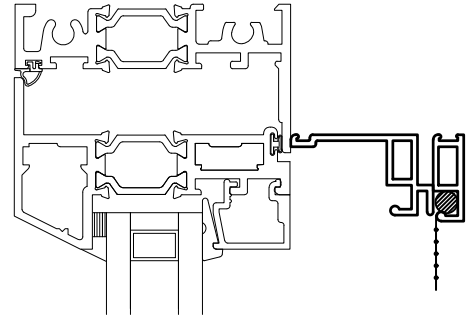
Architectural Window Accessories

Screens

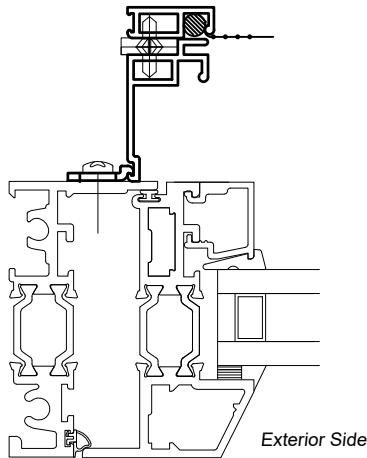
Elevation Viewed From The Interior



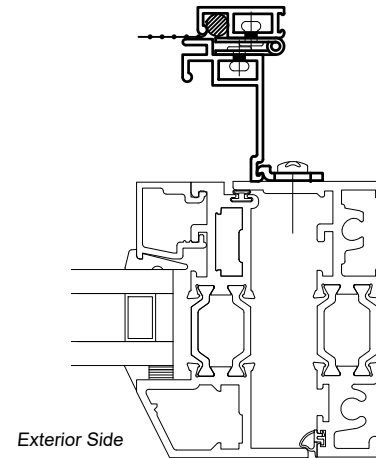
Screen, Aluminum Mesh 18 X 16
With 0.011" Dia. Wire,
Mill or Charcoal Finish
(Options: Stainless Mesh 18 X 16
With 0.009" Dia. Wire, Natural
Finish or Painted Colors)



Head/Sill



Left Jamb



Right Jamb



WAUSAU

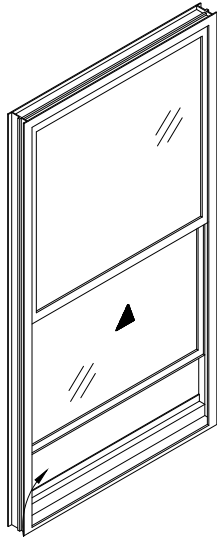
WINDOW AND WALL
SYSTEMS

Hung Screens

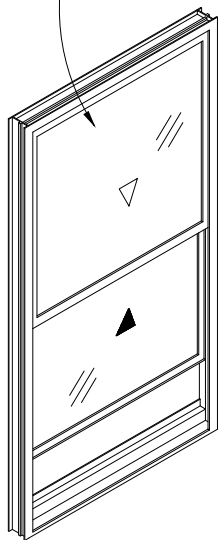
Architectural Window Accessories

Screens

Elevations Viewed From The Exterior



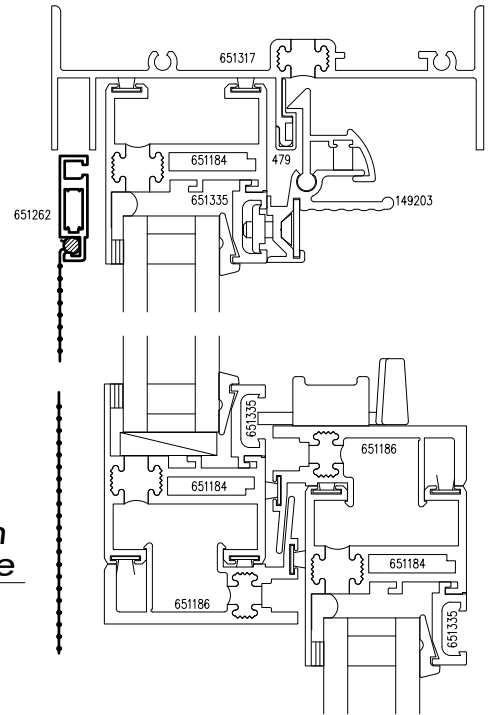
Half-Screen
3151-ST/3150DHT/
3100-DH/310i-SH



Full Screen
3150-DHT/
3100-DH

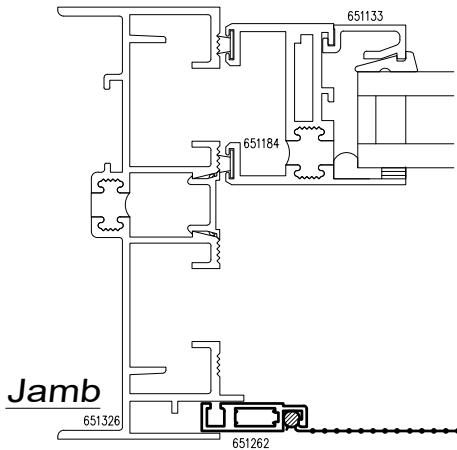
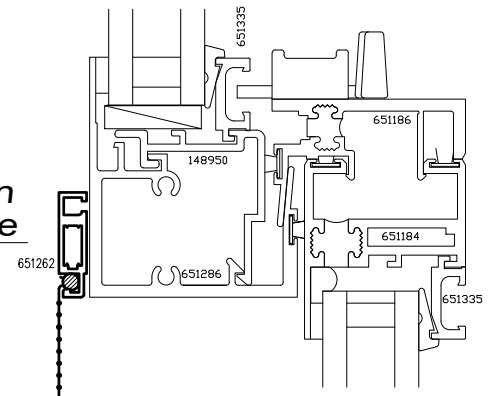
Screen, Aluminum Mesh 18 X 16
With 0.011" Dia. Wire
Mill or Charcoal Finish
(Options: Stainless Mesh 18 X 16
With 0.009" Dia. Wire, Natural
Finish or Painted Colors)

Head
(3150-DHT)



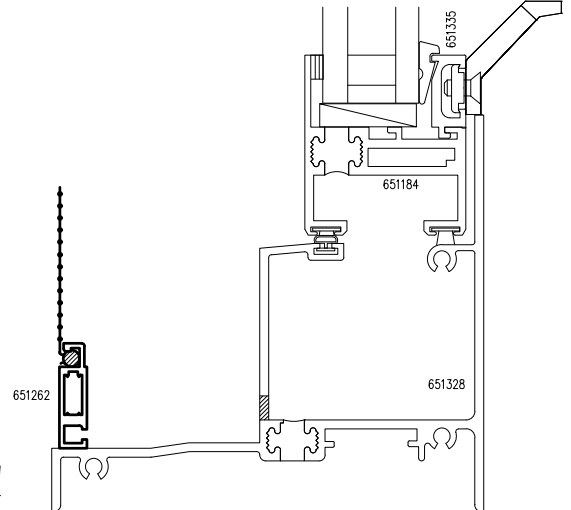
Full Screen Intermediate
(3150-DHT)

Half-Screen Intermediate
(3151-ST)



Jamb

Sill

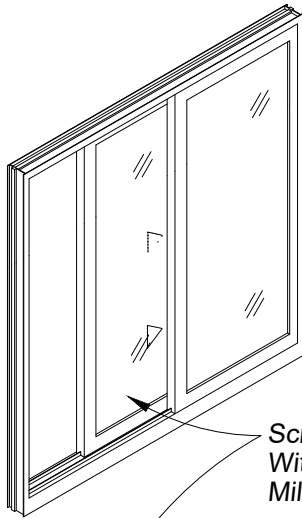




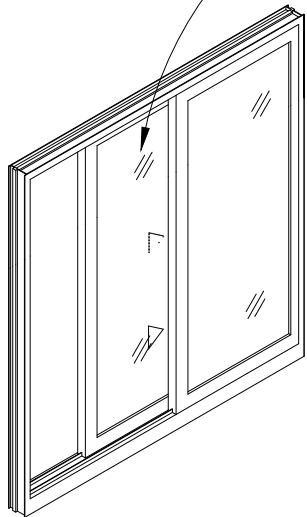
Architectural Window Accessories

Screens

Elevations Viewed From The Exterior



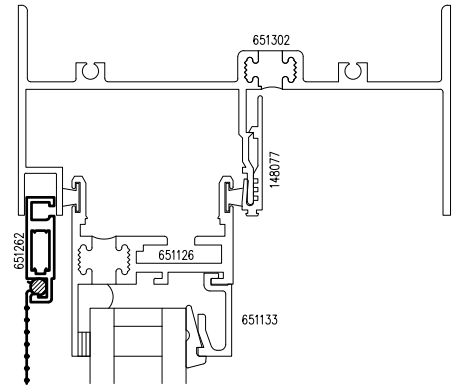
Full Screen
4100-HS



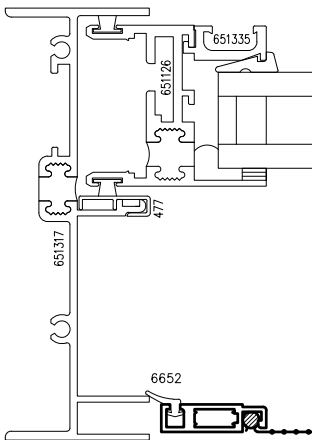
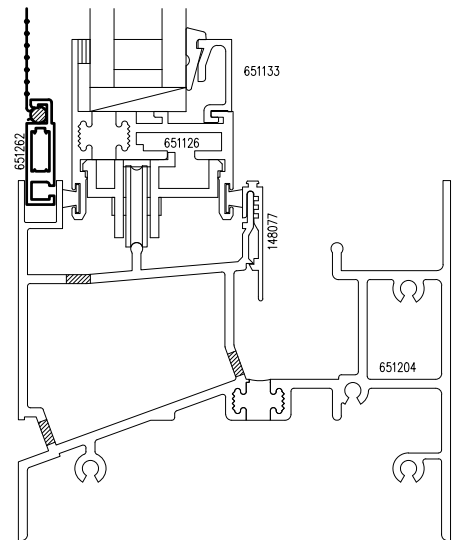
Half-Screen
4100-HS

Screen, Aluminum Mesh 18 X 16
With 0.011" Dia. Wire
Mill or Charcoal Finish
(Options: Stainless Mesh 18 X 16
With 0.009" Dia. Wire, Natural
Finish or Painted Colors)

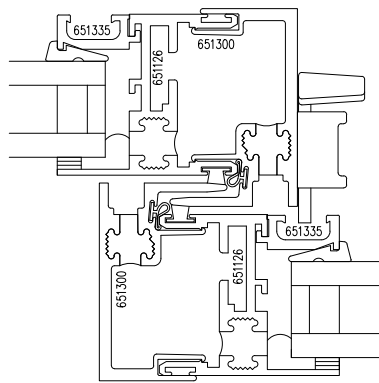
Head



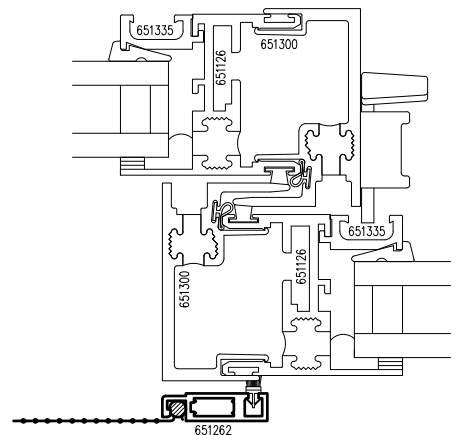
Sill



Jamb



**Intermediate
Full Screen**



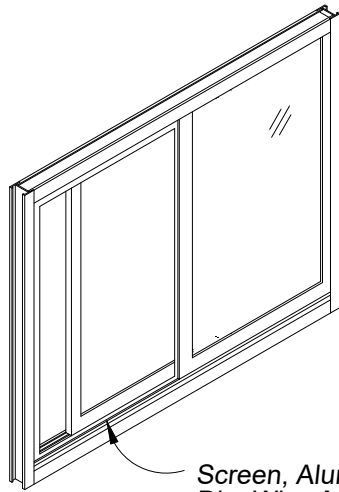
**Intermediate
Half-Screen**



Architectural Window Accessories

Screens

Elevation Viewed From The Exterior

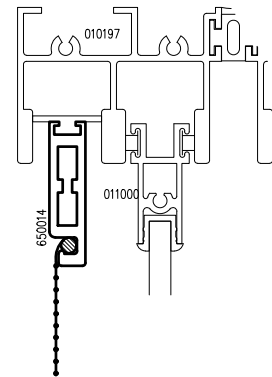


Half-Screen
2700-HSD

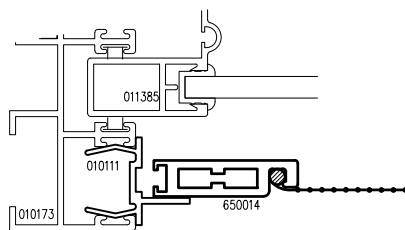
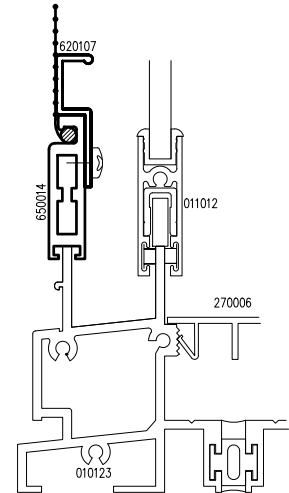
Screen, Aluminum Mesh 18 X 16 With 0.011" Dia. Wire, Mill or Charcoal Finish

(Options: Stainless Mesh 18 X 16 With 0.009" Dia. Wire, Natural Finish or Painted Colors)

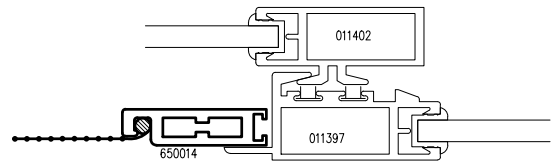
Head



Sill



Jamb



Intermediate



WAUSAU

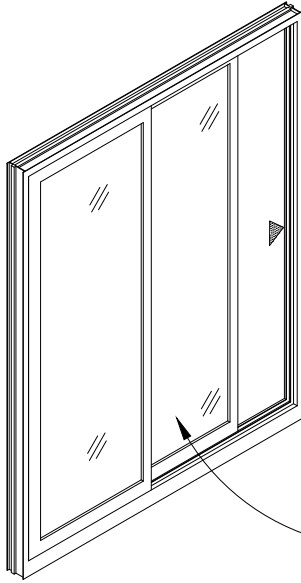
WINDOW AND WALL
SYSTEMS

Sliding Door Screens

Architectural Window Accessories

Screens

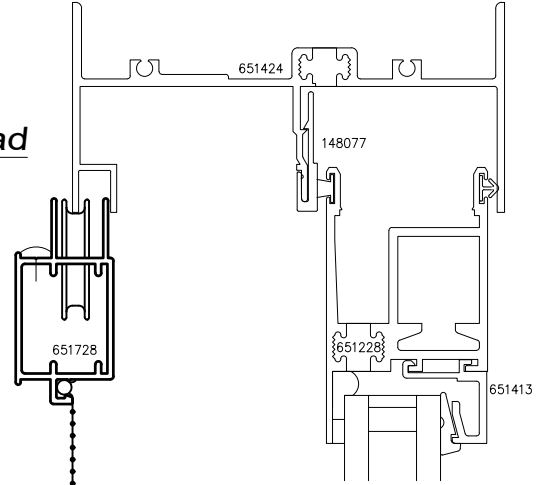
Elevation Viewed From The Interior



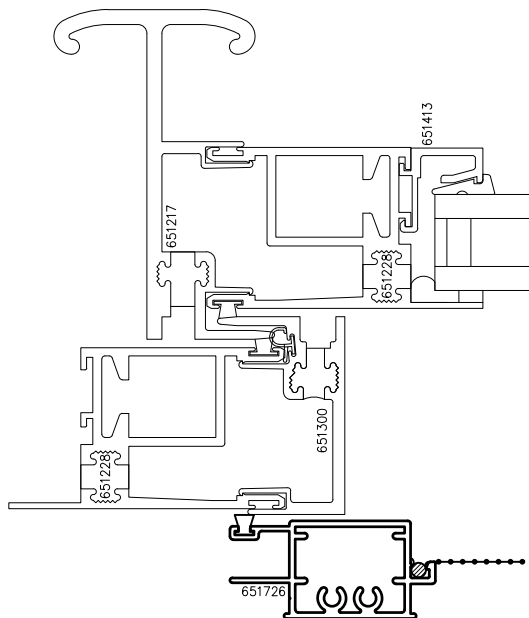
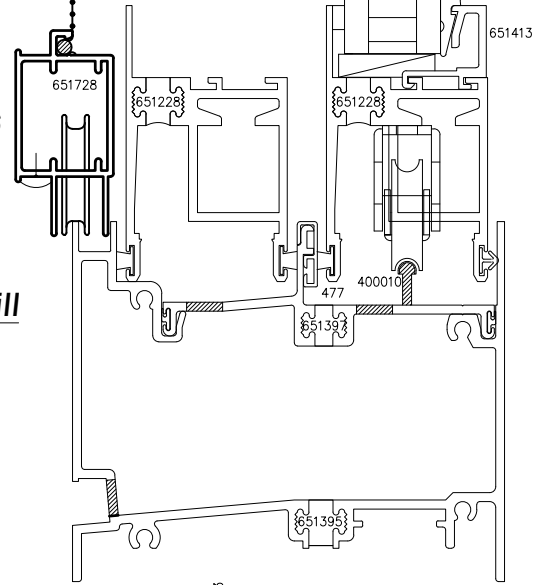
Screen
D-5100

Screen, Aluminum Mesh 18 X 16
With 0.011" Dia. Wire
Mill Or Charcoal Finish
(Options: Stainless Mesh 18 X 16
With 0.009" Dia. Wire, Natural
Finish or Painted Colors)

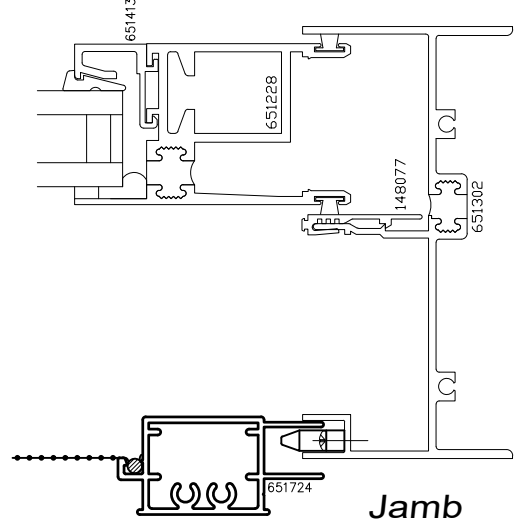
Head



Sill



Intermediate



Jamb



WAUSAU

WINDOW AND WALL
SYSTEMS

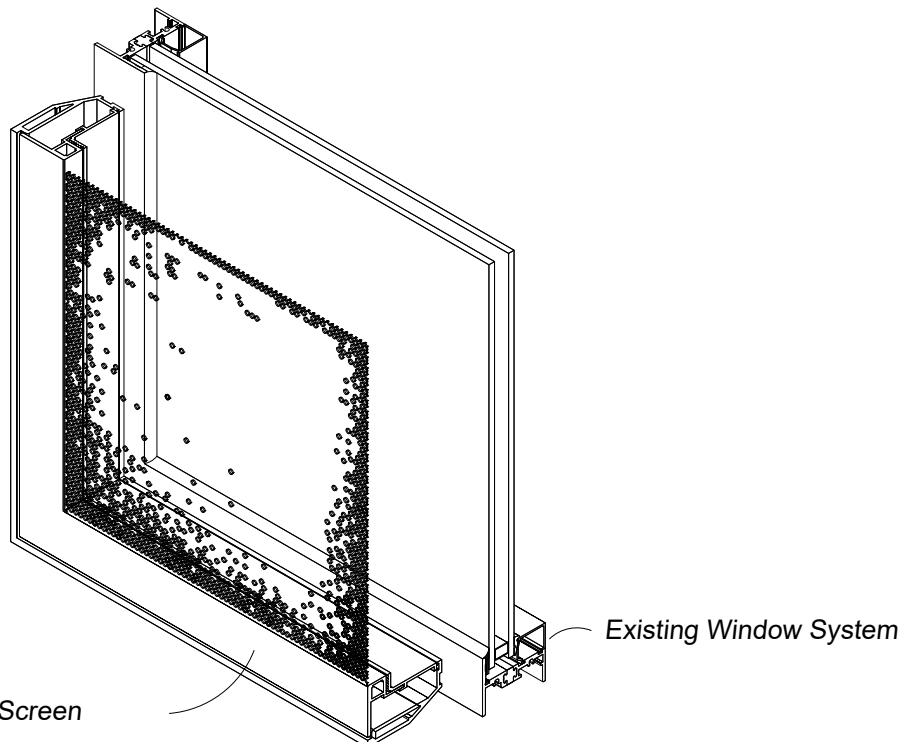
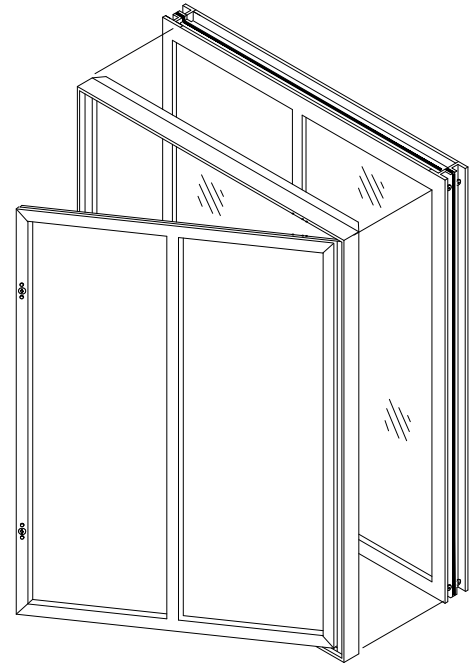
Vandal

Architectural Window Accessories

Screens

Features

- 18 Gauge Stainless Steel Perforated
- Concealed Stainless Steel Four-Bar Hinge
- Tamper Resistant Concealed Lock
- Concealed Installation Fasteners
- Mitered and Crimped Corner Joinery
- Tested to ANSI/SMA 6001-90 "Heavy"
- Resists 100 ft-lbs Impact Force
- Forced Entry 300/150 lbs
- Fits Most Window Systems
- Can Guard Against Glass Damage Caused By Vandals





WAUSAU

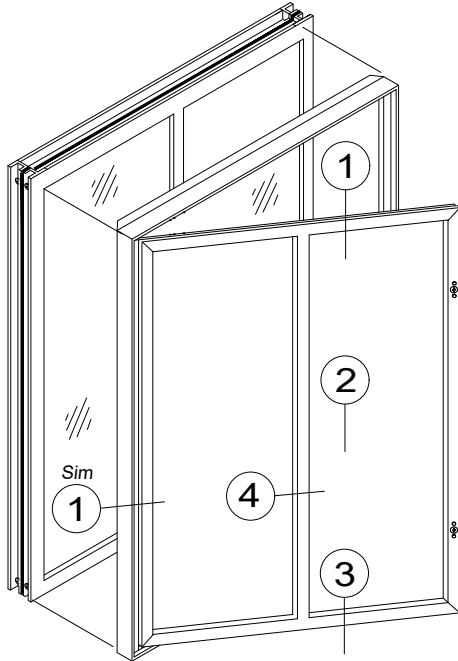
WINDOW AND WALL
SYSTEMS

Vandal

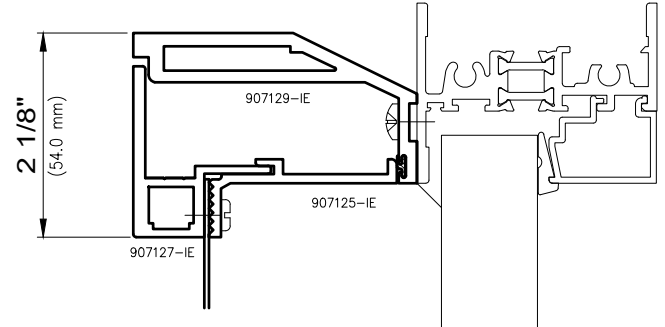
Architectural Window Accessories

Screens

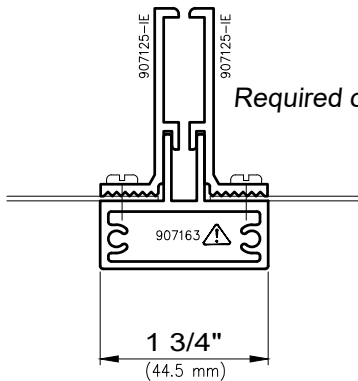
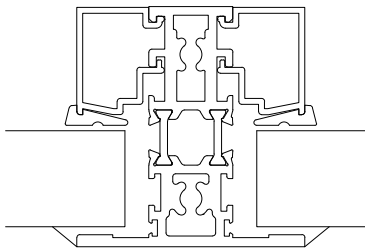
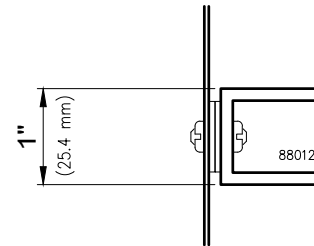
Non-stocked items shown – Minimum order quantity may apply



1

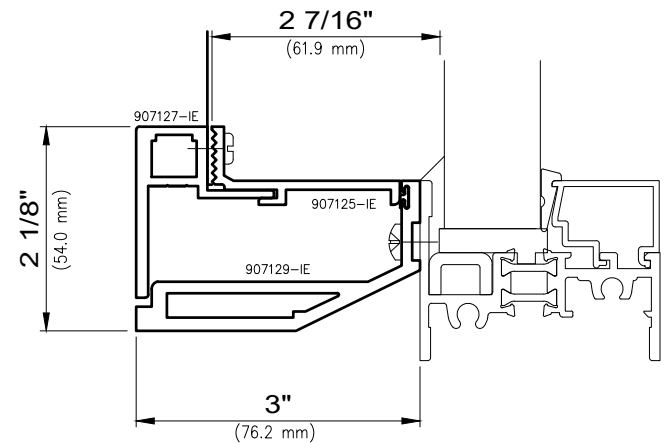


2



Required on units > 4' x 6'

3



4

- OBSOLETE TOOLING STATUS