

Architectural Windows

8300 Series

Elevations Viewed From The Exterior

Section Contents

Page(s)

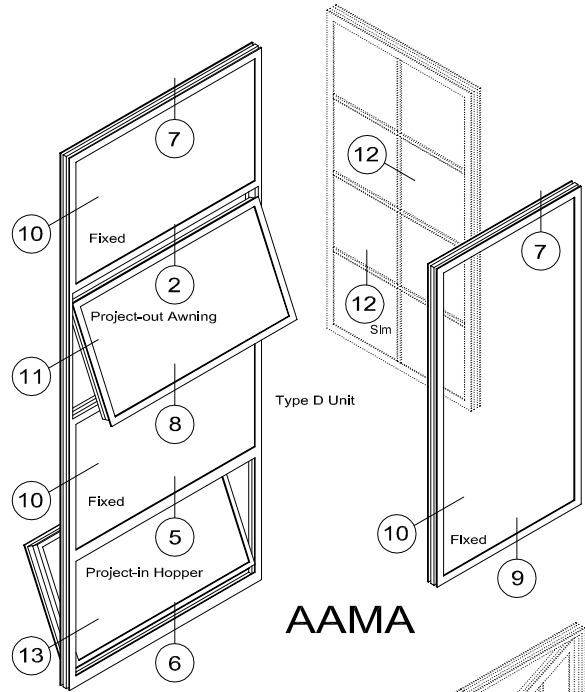
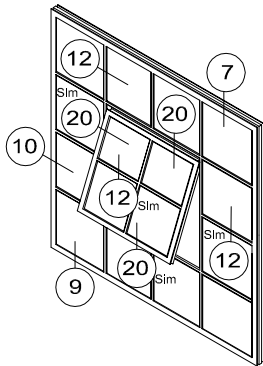
Details	CBW1-2 and CBW1-3
Posts and Stacks	CBW1-4 and CBW1-5
Glazing Options	CBW1-6
Accessories	CBW1-7 and CBW1-8

AAMA Test Configurations (shown)

Architectural AW Class

For air, water, cycling and structural

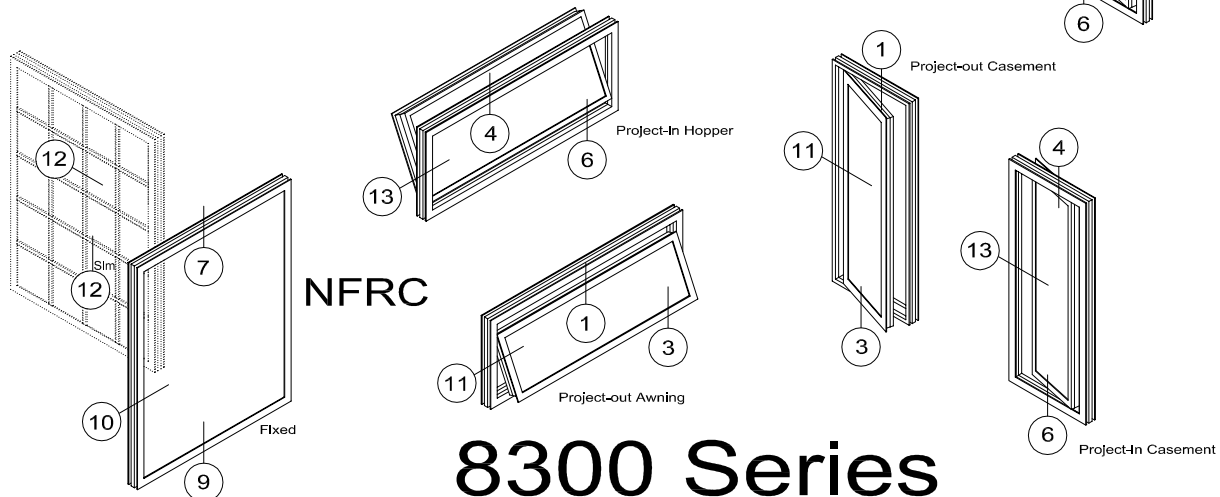
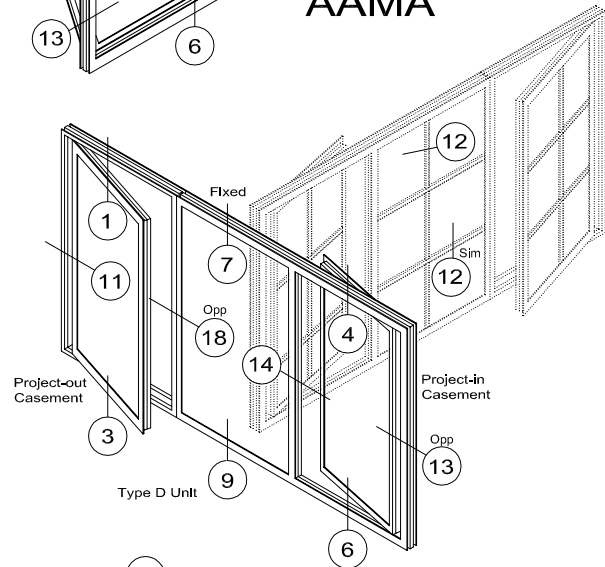
Fixed Frame Size	60" x 99"	Fixed	1524 mm x 2515 mm
Projected Frame Size	60" x 144"	Type D	1524 mm x 3658 mm
Casement Frame Size	108" x 60"	Type D	2743 mm x 1524 mm
Gateway Sizes	60" x 36"	Projected	1524 mm x 914 mm
	36" x 60"	Casement	914 mm x 1524 mm



NFRC 100 Thermal Test Configurations (shown)

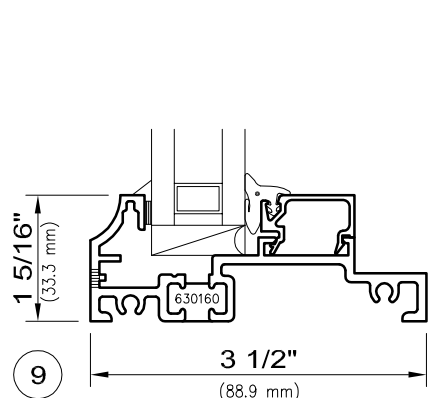
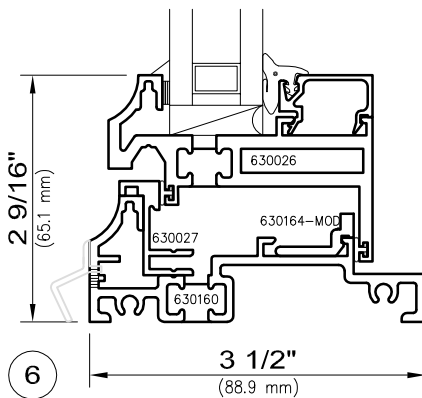
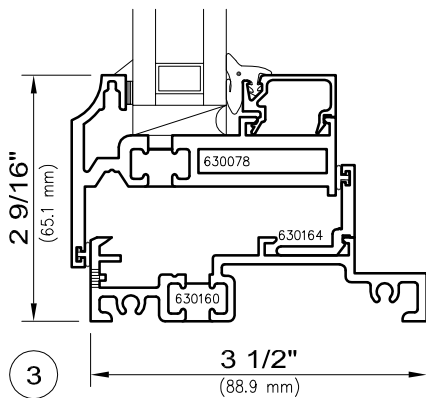
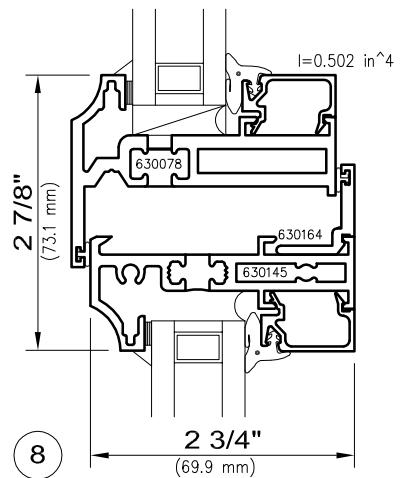
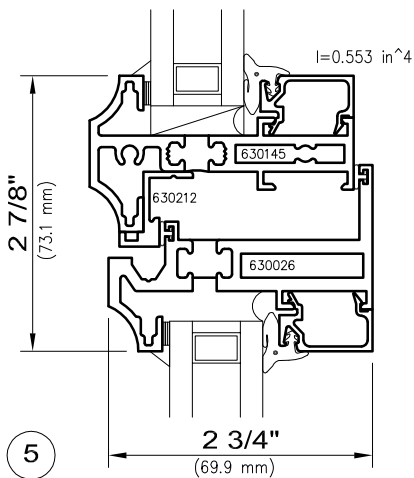
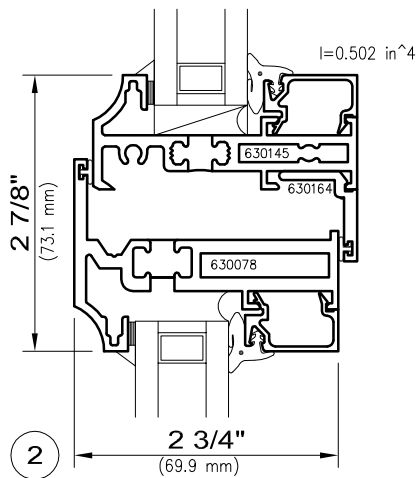
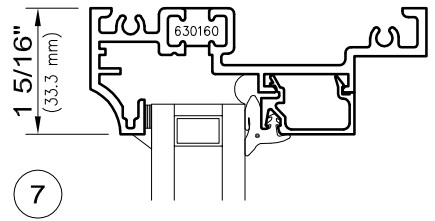
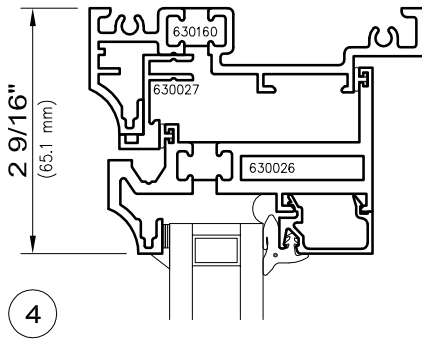
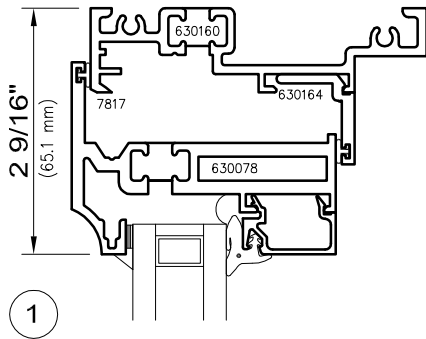
For U-Factor, SHGC and CR

Fixed Frame Size	47" x 59"	1200 mm x 1500 mm
Projected Frame Size	59" x 24"	1500 mm x 600 mm
Casement Frame Size	24" x 59"	600 mm x 1500 mm



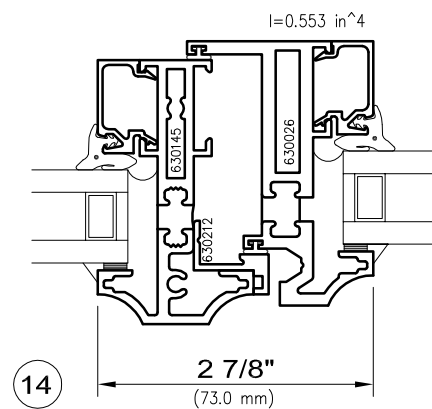
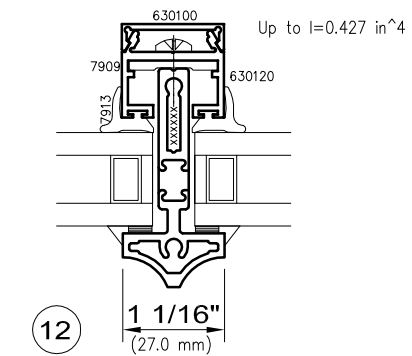
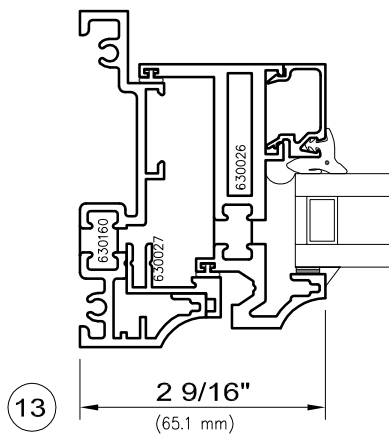
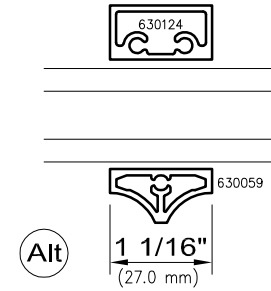
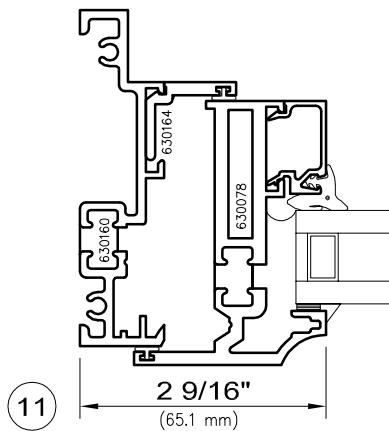
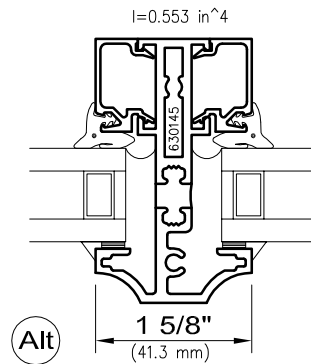
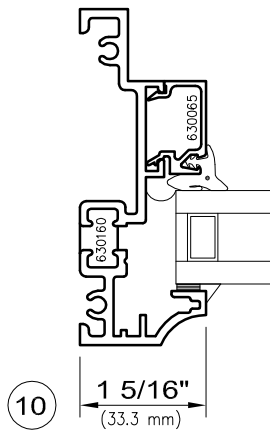
8300 Series

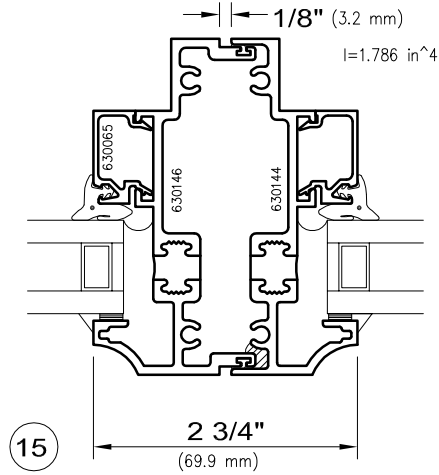
Contact A Wausau Representative For Other Possible Configurations



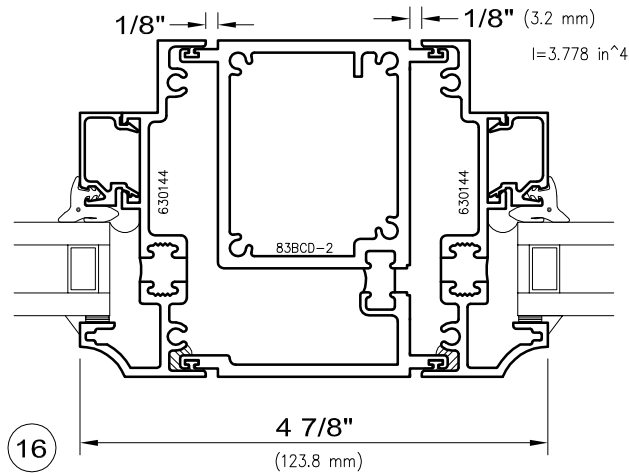
Weep Hood or 630164-MOD insert may be required for proper water control.

Non-stocked items shown – Minimum order quantity may apply

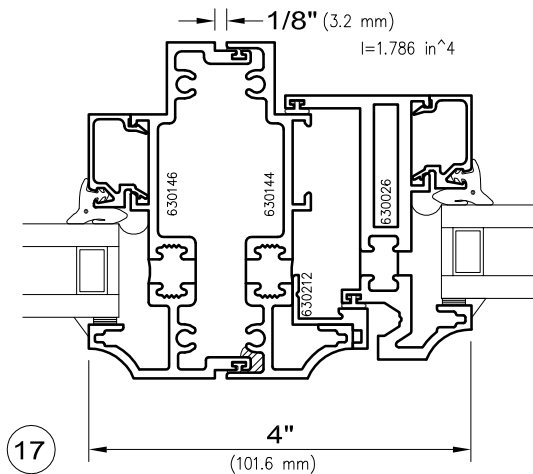




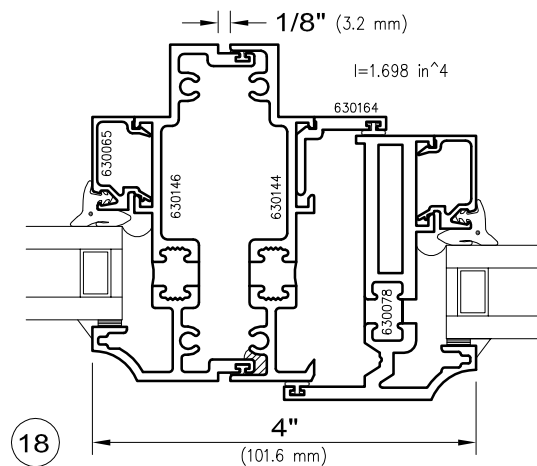
Fixed / Fixed



Fixed / Fixed 2" Mullion

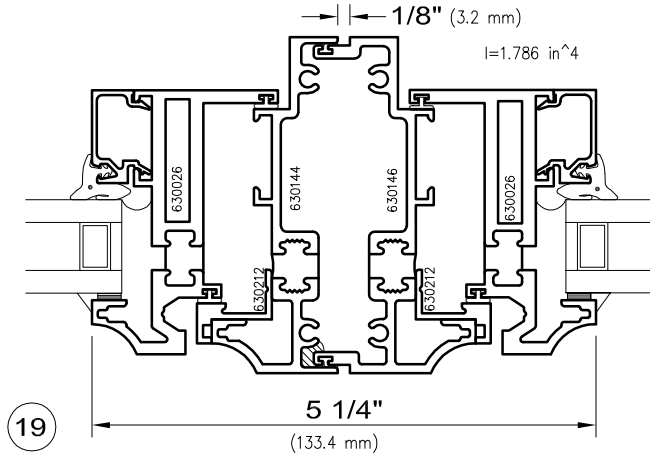


Fixed / Project-In

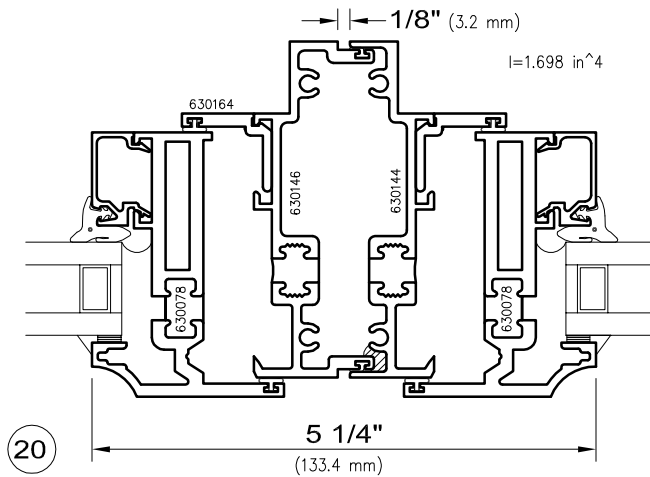


Fixed / Project-Out

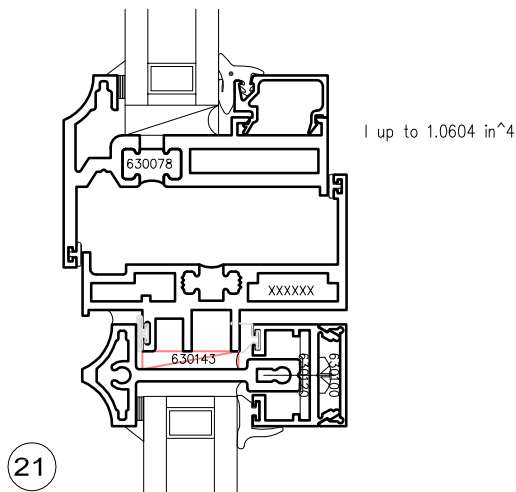
I-values indicated are for frame members only.
Thermal barrier shear reductions of 15% are included.



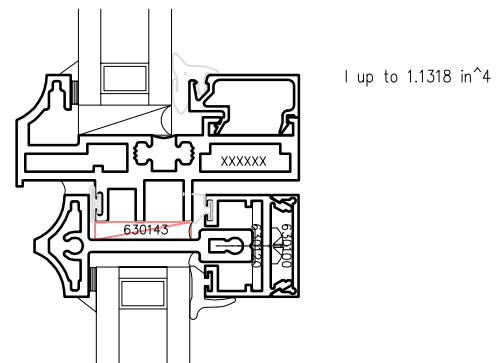
19 Project-In Vent / Project-In Vent



20 Project-Out Vent / Project-Out Vent



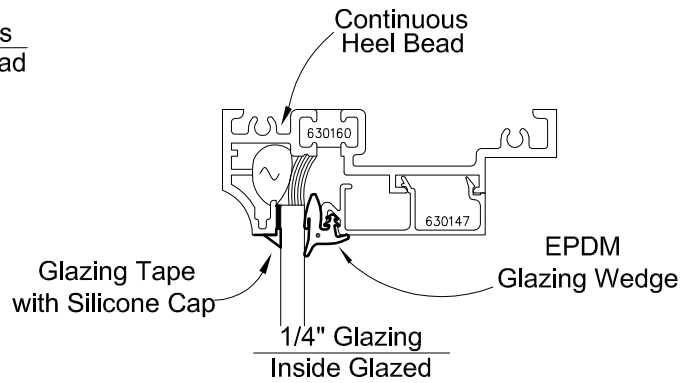
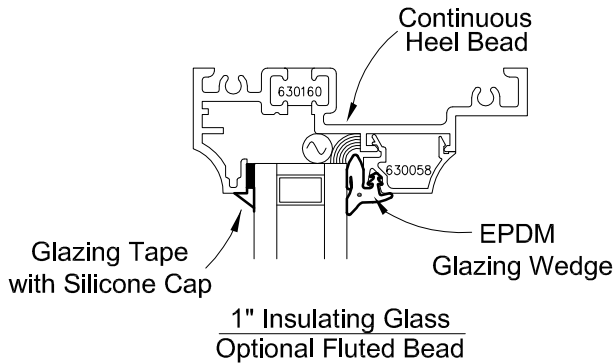
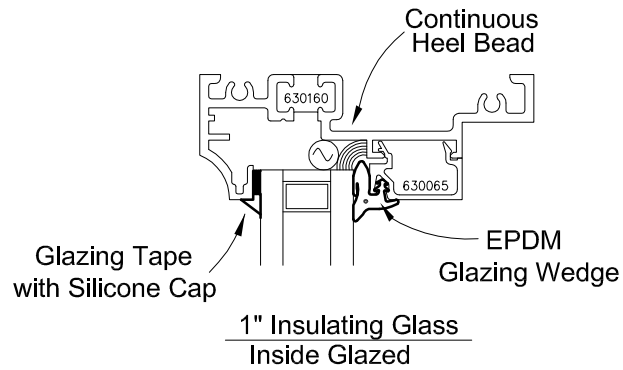
21



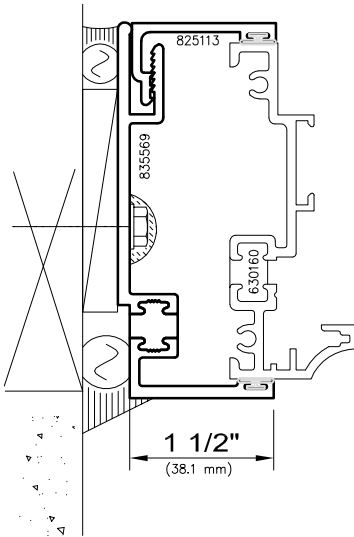
21 Alt

FLOATING VENT / FALSE FLOATING VENT

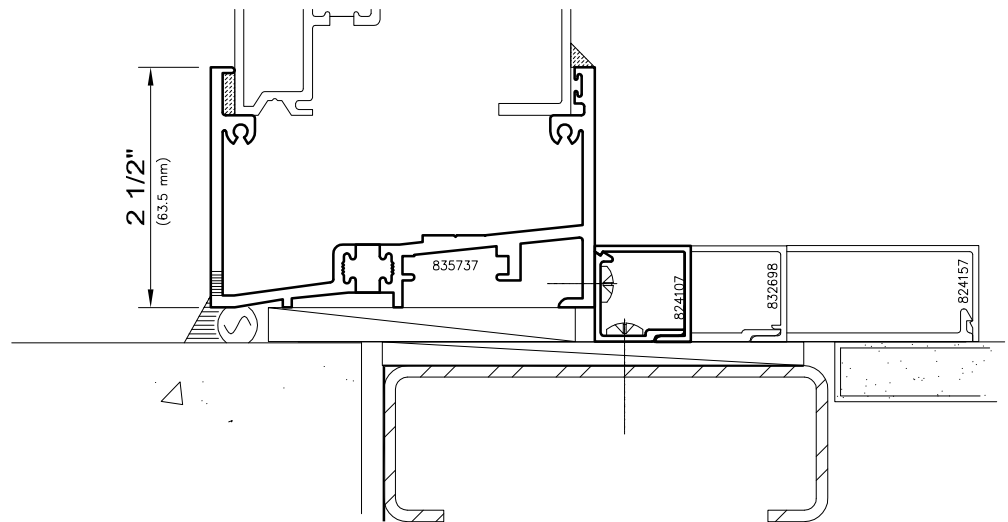
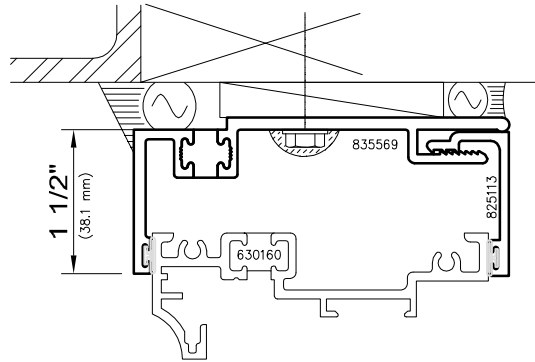
I-values indicated are for frame members only.
Thermal barrier shear reductions of 15% are included.



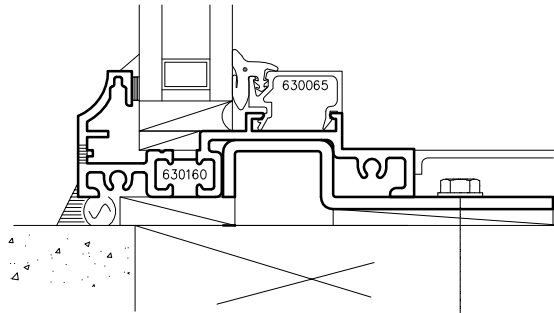
Jamb Starter



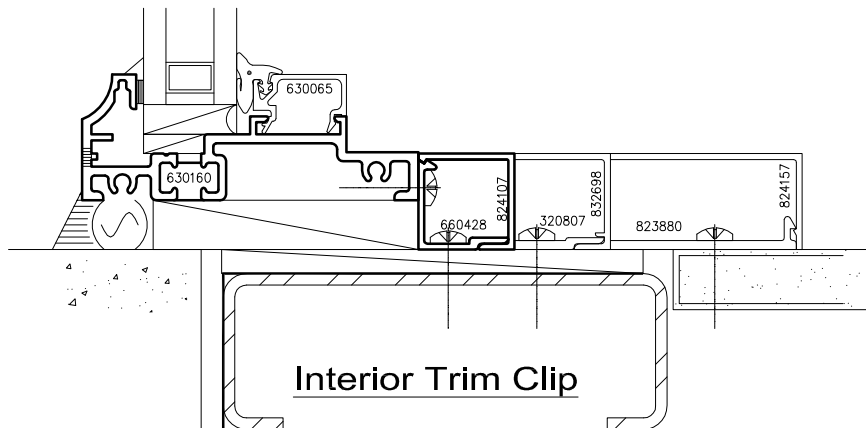
Head Starter



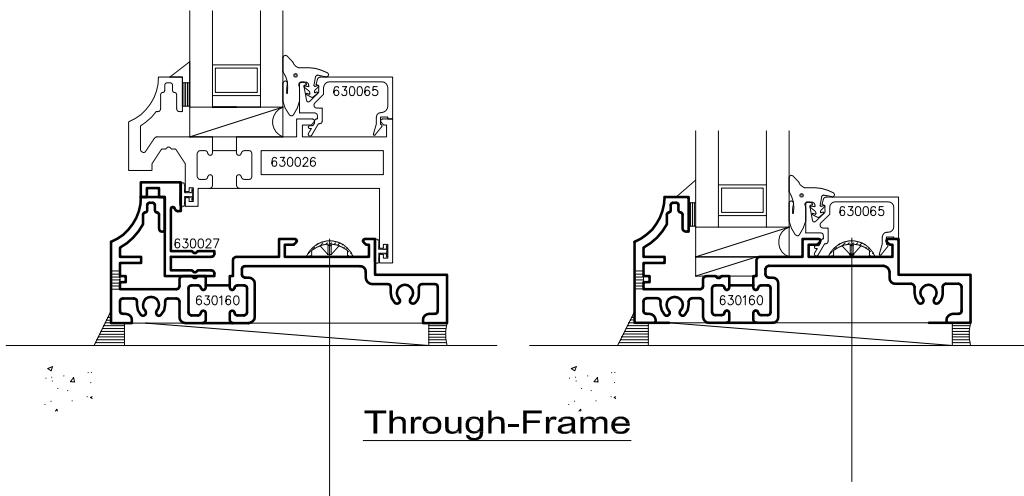
Sill Starter (12 psf WTP)



Mechanically Fastened Anchor
1/8" Formed Aluminum



Interior Trim Clip



Through-Frame