

Architectural Windows

8250 Series

Elevations Viewed From The Exterior

Section Contents

Details
Posts and Stacks
Glazing Options
Blind Options
Accessories

Page(s)

CBW9-2 and CBW9-3
CBW9-4 and CBW9-5
CBW9-6
CBW9-7
CBW9-8 and CBW9-9

AAMA Test Configurations (shown)

Architectural AW Class

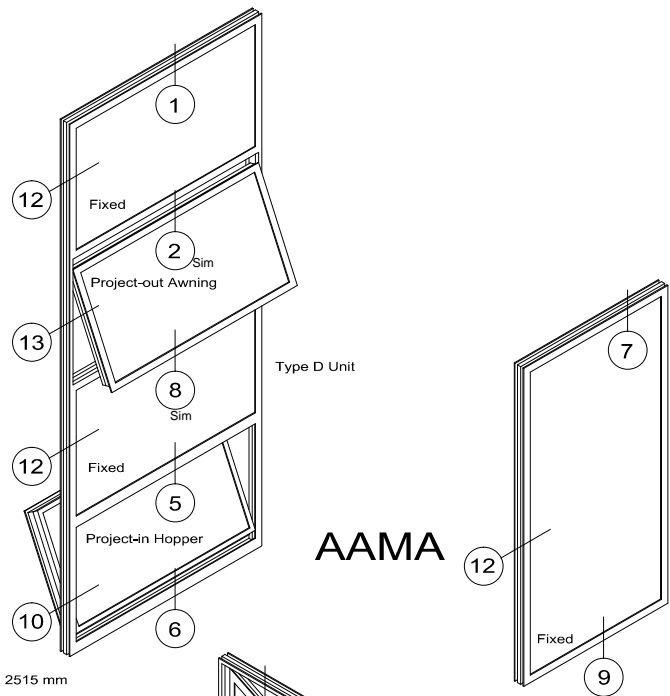
For air, water, cycling and structural

Fixed Frame Size	60" x 99"	Fixed	1524 mm x 2515 mm
Projected Frame Size	60" x 144"	Type D	1524 mm x 3658 mm
Casement Frame Size	108" x 60"	Type D	2743 mm x 1524 mm
Gateway Sizes	60" x 36"	Projected	1524 mm x 914 mm
	36" x 60"	Casement	914 mm x 1524 mm

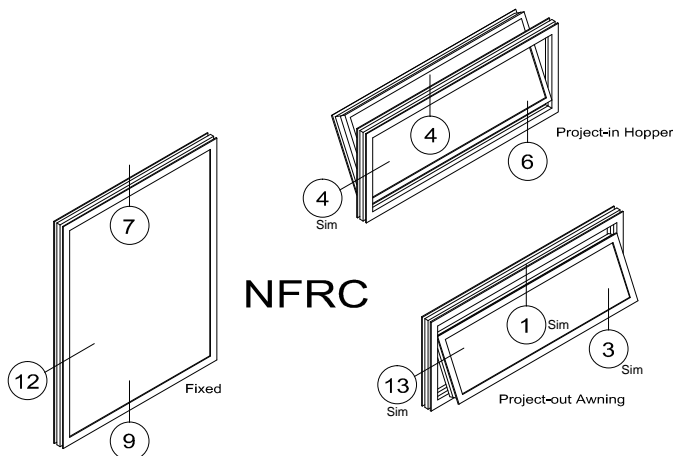
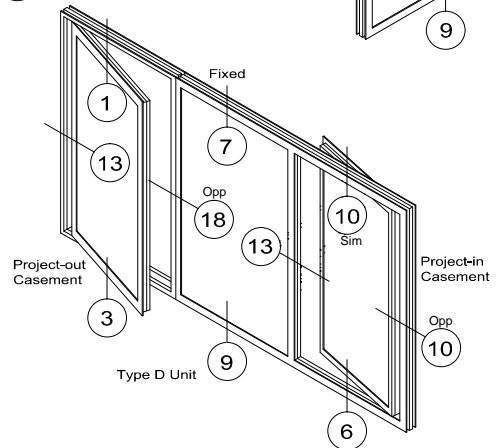
NFRC 100 Thermal Test Configurations (shown)

For U-Factor, SHGC and CR

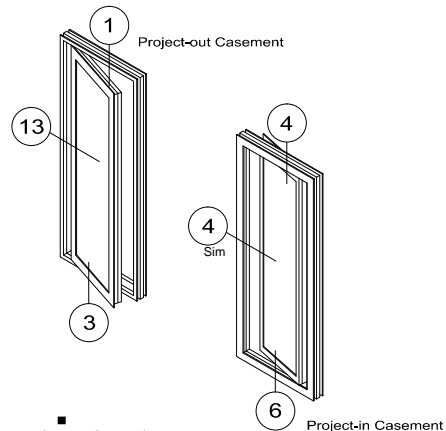
Fixed Frame Size	47" x 59"	1200 mm x 1500 mm
Projected Frame Size	59" x 24"	1500 mm x 600 mm
Casement Frame Size	24" x 59"	600 mm x 1500 mm



AAMA

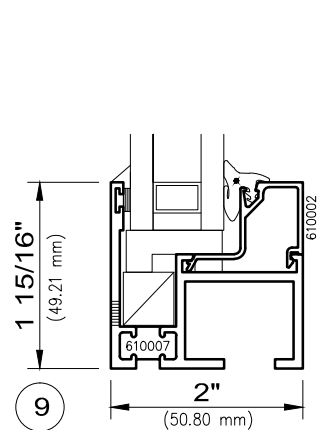
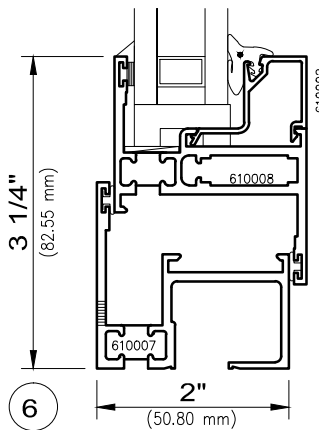
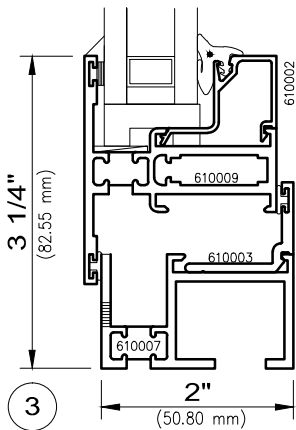
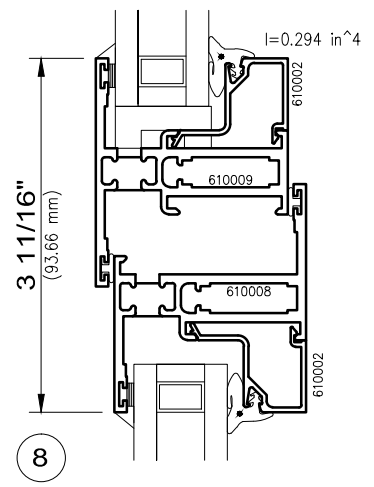
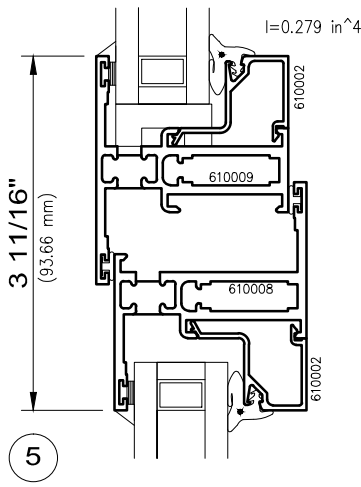
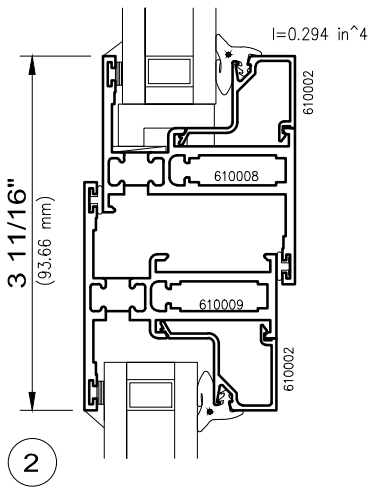
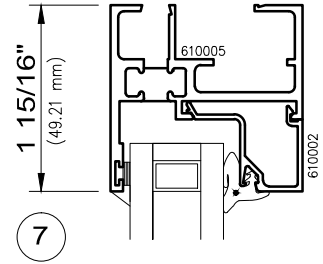
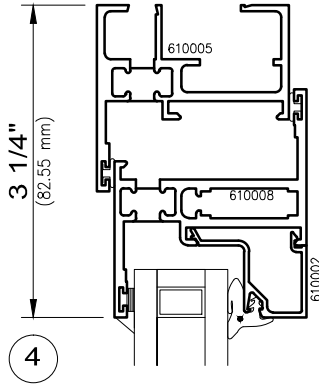
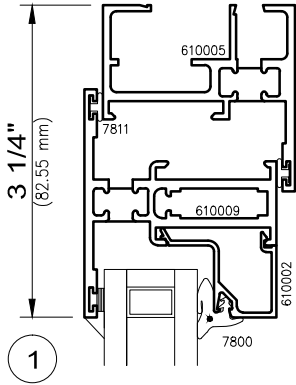


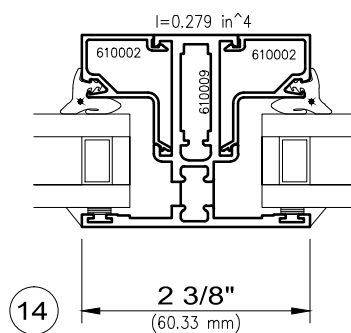
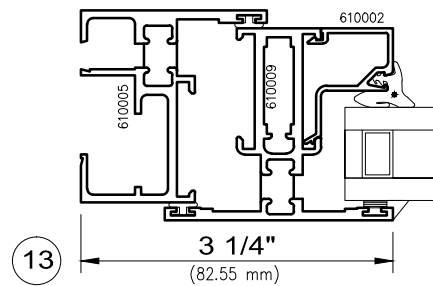
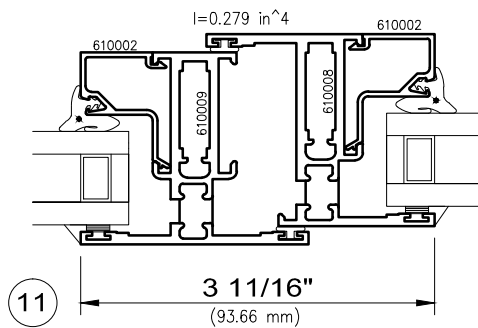
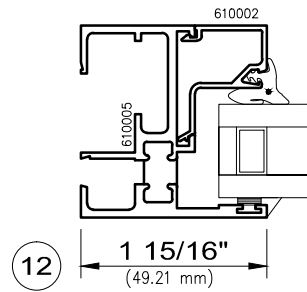
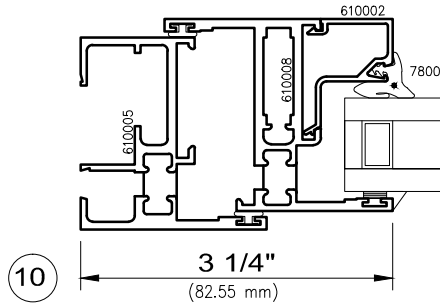
NFRC



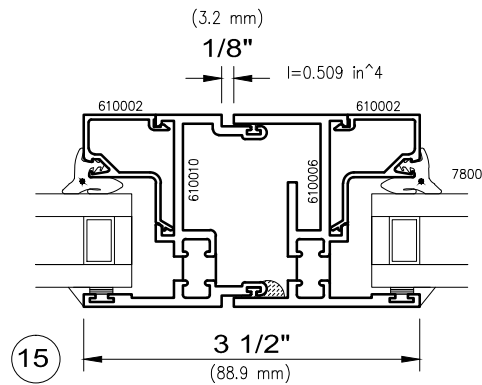
8250 Series

Contact A Wausau Representative For Other Possible Configurations

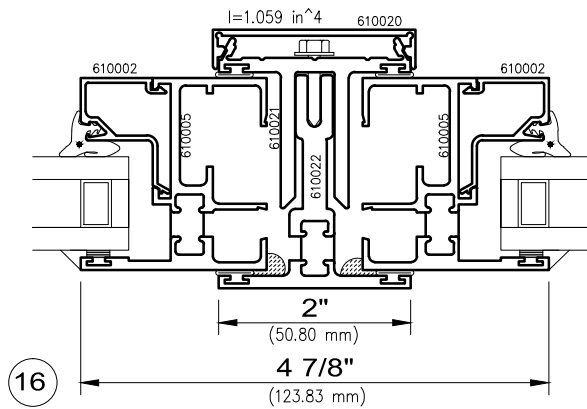




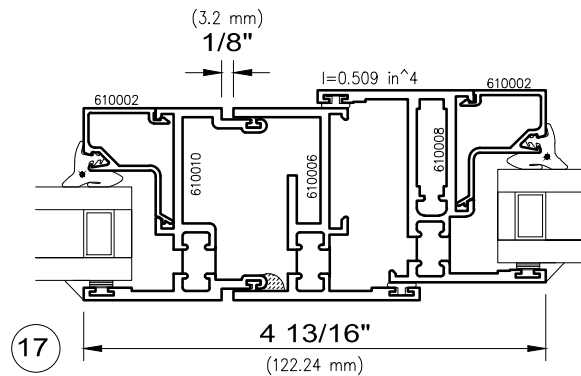
Fixed / Fixed Post



Fixed / Fixed

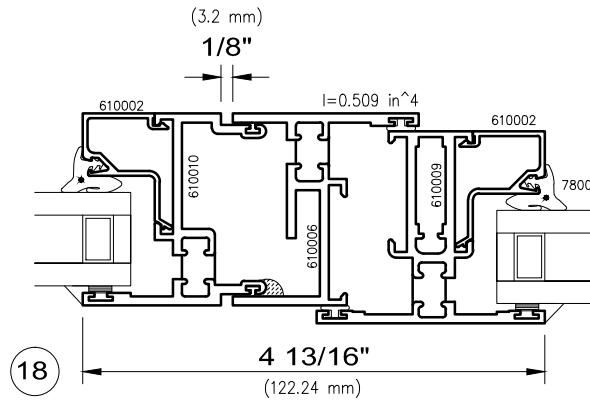


Fixed / Fixed 2" Mullion

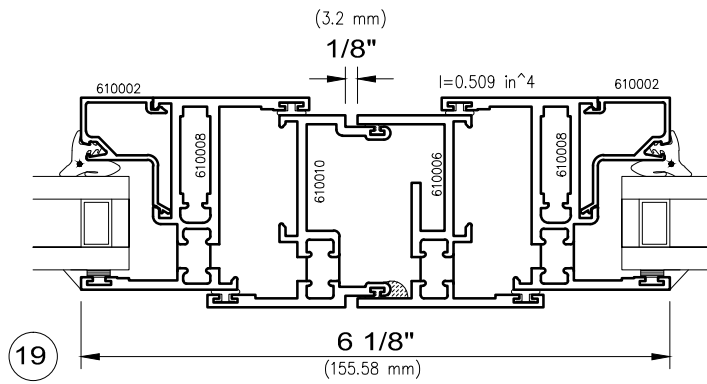


Fixed / Project-In

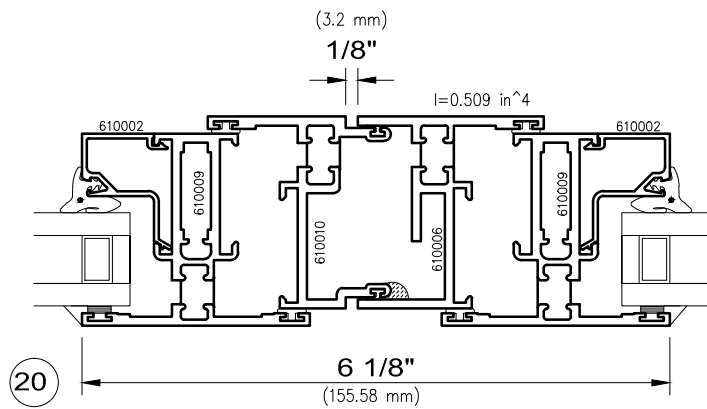
I-values indicated are for frame members only.
Thermal barrier shear reductions of 15% are included.



Fixed / Project-Out

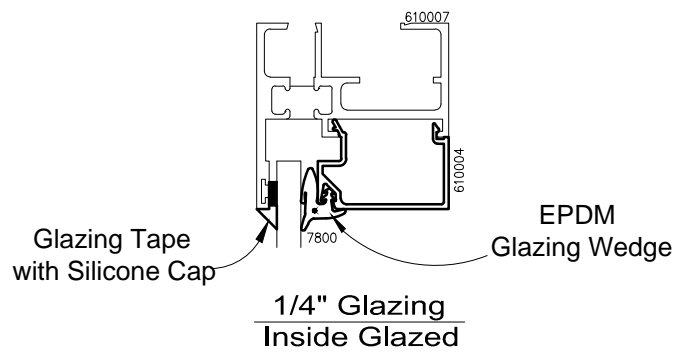
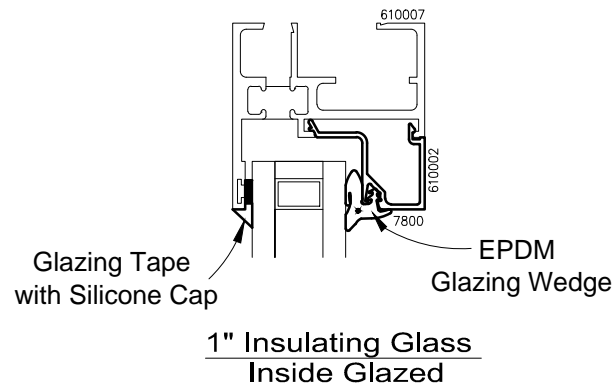


Project-In Vent / Project-In Vent

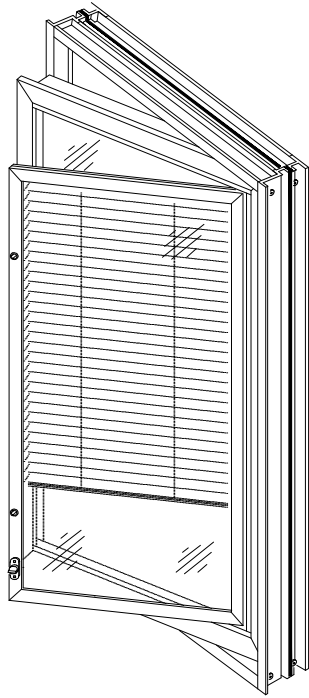


Project-Out Vent / Project-Out Vent

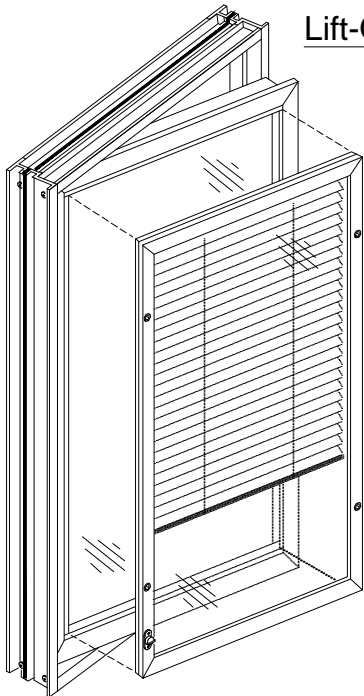
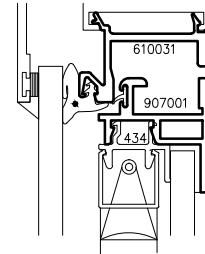
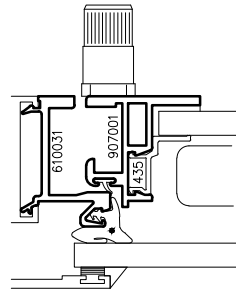
I-values indicated are for frame members only.
Thermal barrier shear reductions of 15% are included.



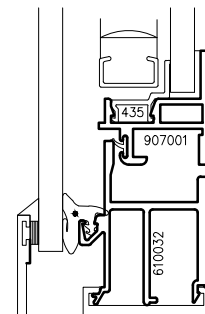
Elevations Shown As Viewed From The Interior



Hinged

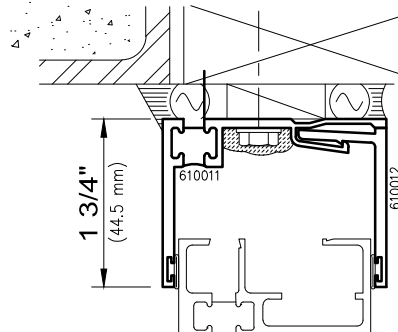


Lift-Out

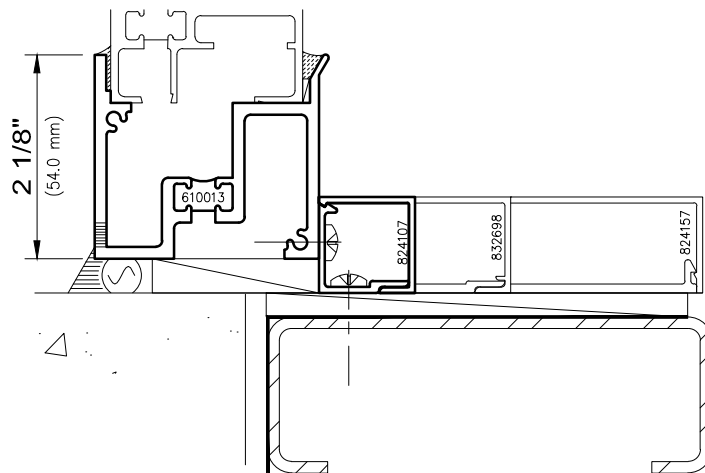
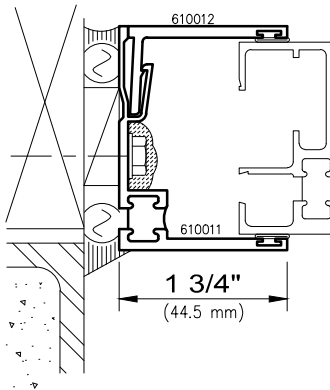


5/8" Blind/Dual Glazed

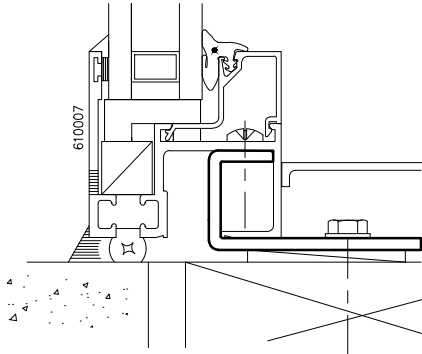
Head Starter



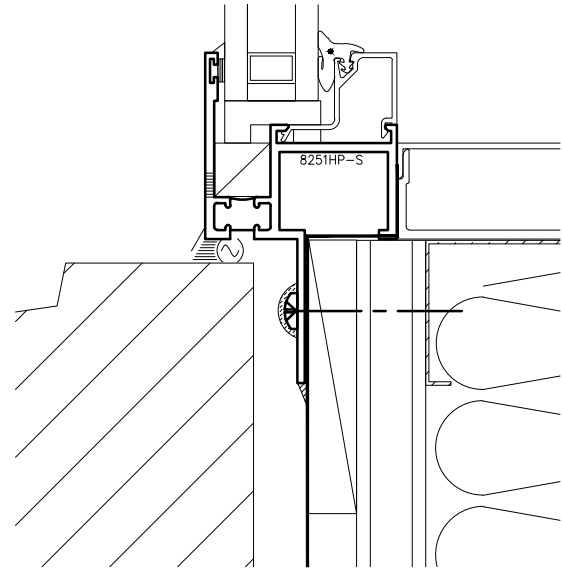
Jamb Starter



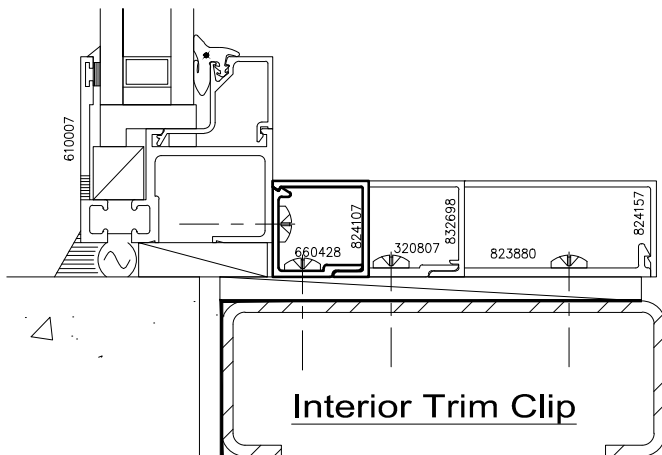
Sill Starter (8 psf WTP)



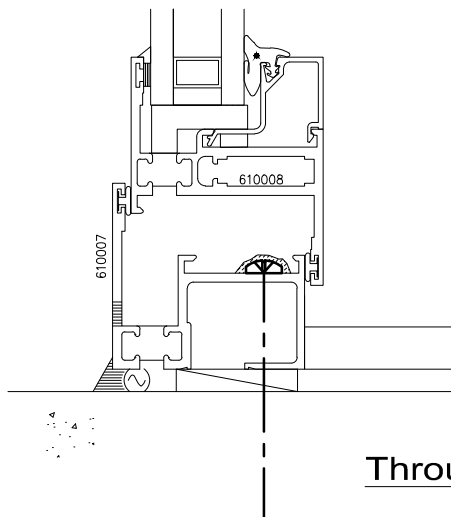
Mechanically Fastened Anchor
1/8" Formed Aluminum



Optional Nailing Fin



Interior Trim Clip



Through-Frame

