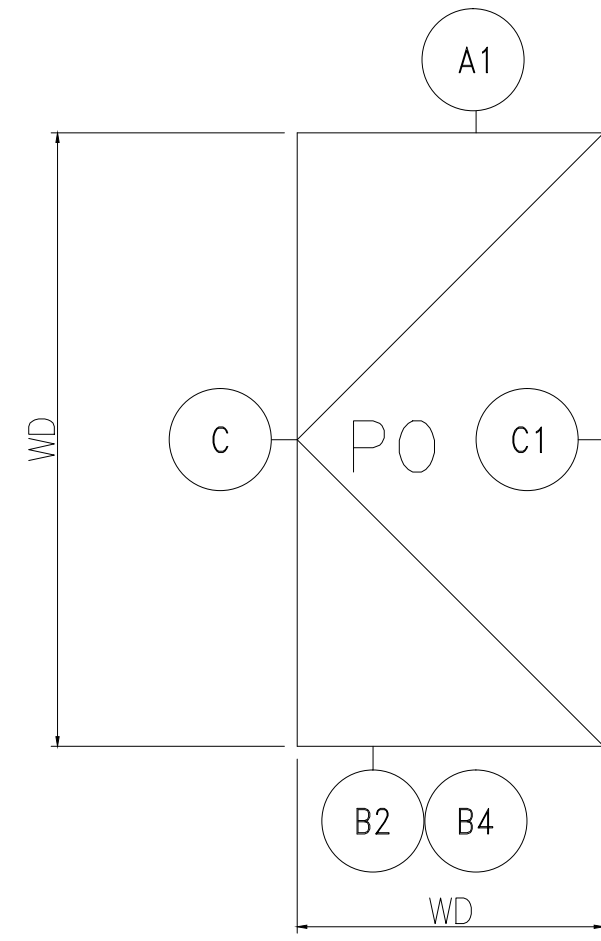


PO FRENCH TERRACE DOOR



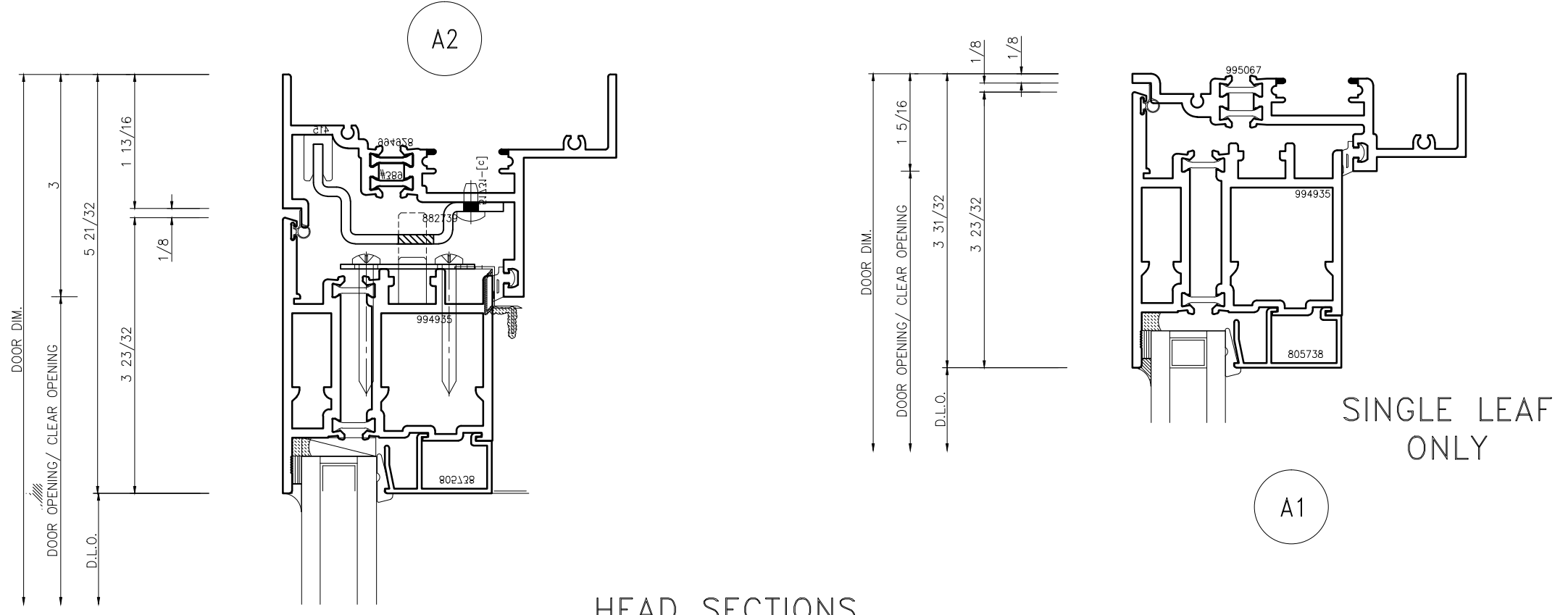
PO DOOR

PO: PROJECT OUT

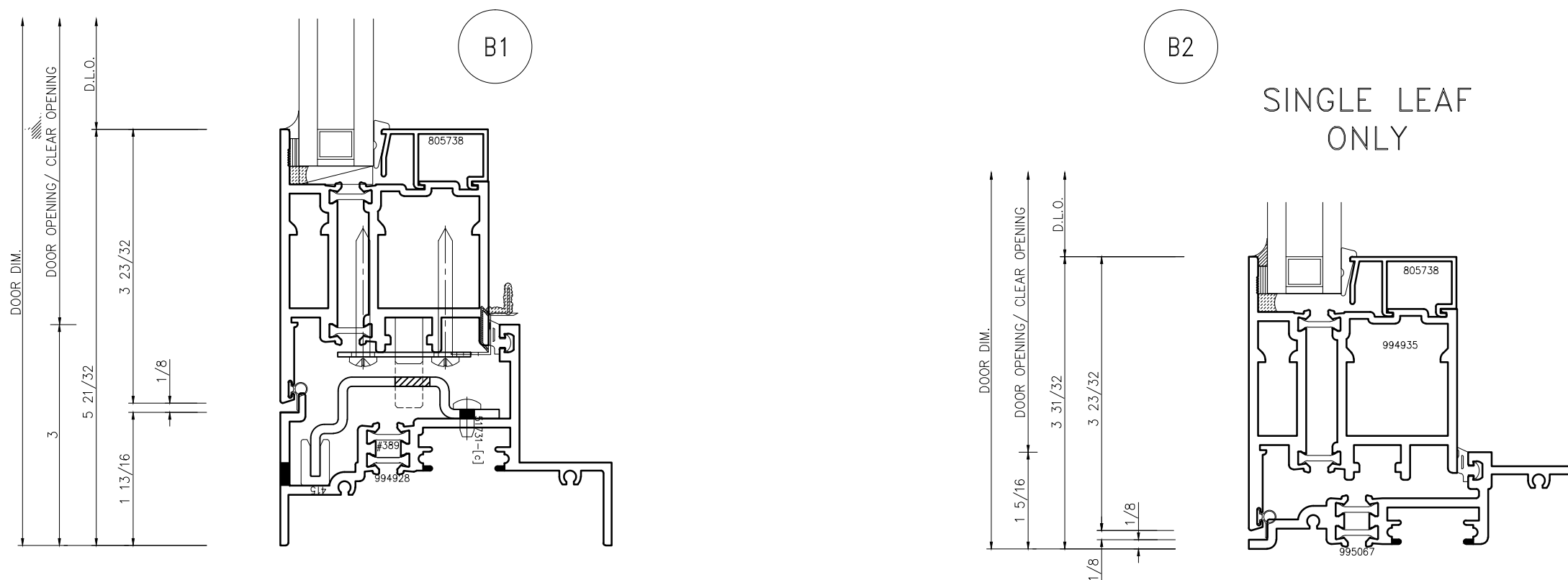
REFERENCE ELEVATIONS

NOTES:

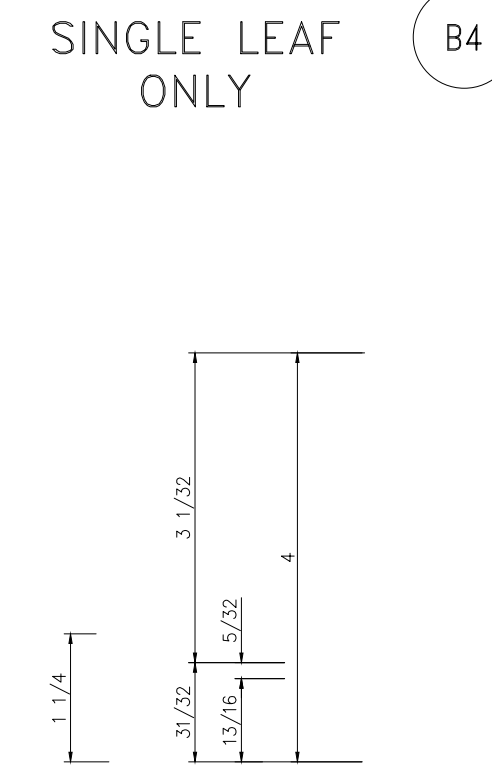
1. VERTICAL FRAME MEMBERS RUN THROUGH.
2. THIS SYSTEM WILL ACCOMMODATE 4100 FIXED LITE TRANSON AND SIDELITE WINDOWS
3. AIR & WATER INFILTRATION
 - A. .1 cfm/sqft @ 6.24
 - B. 15 psf
4. SIZE LIMITATIONS
 - A. INSWING SINGLE DOOR 60"X99"
 - B. INSWING FRENCH DOOR 99"X99"
5. SASH CONSTRUCTION
 - A. MITERED, CORNER BLOCKED AND CRIMPED



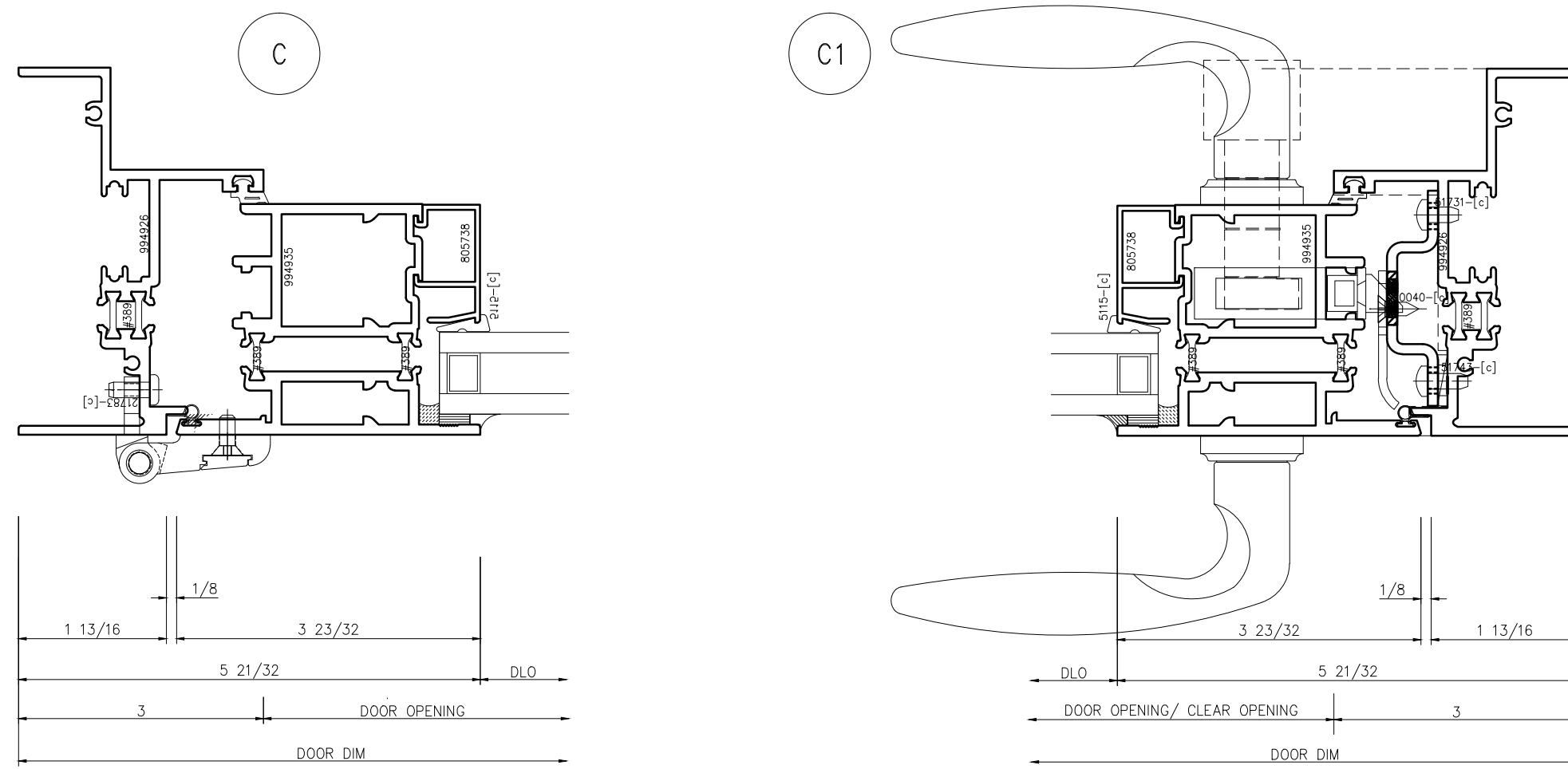
HEAD SECTIONS



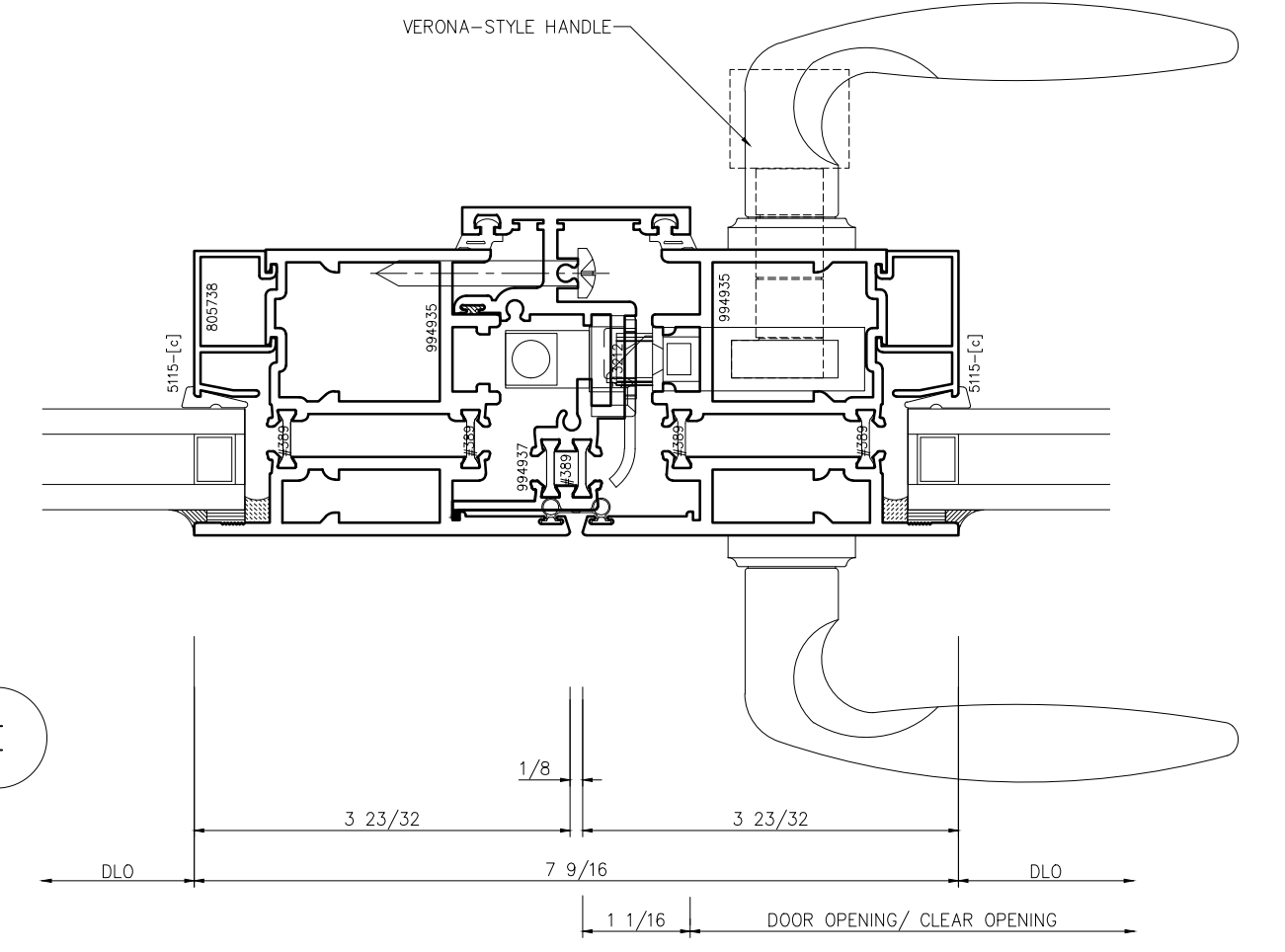
SILL SECTIONS



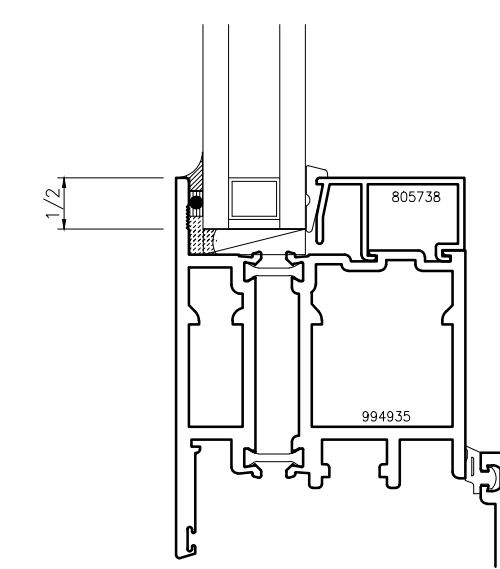
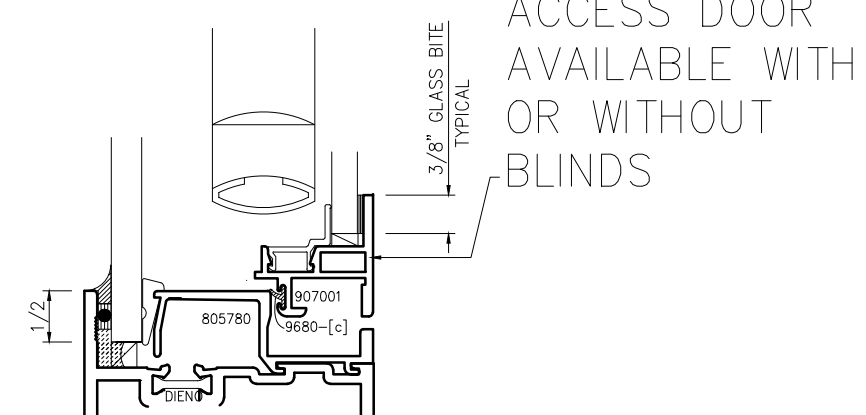
SINGLE LEAF ONLY



JAMB SECTIONS

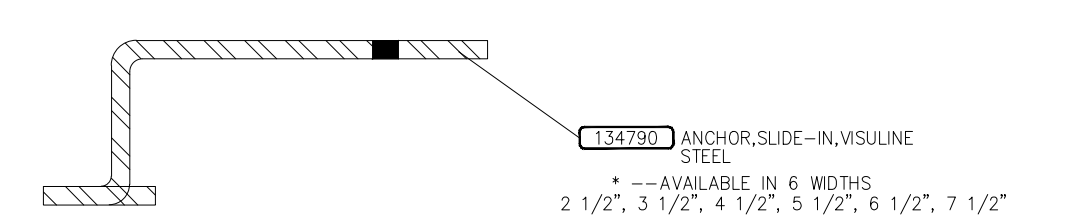


INTERMEDIATE VERTICAL SECTIONS

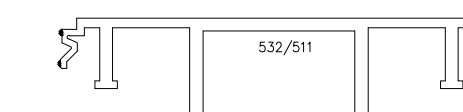


GLAZING DETAILS

INSIDE BEAD GLAZING @ TERRACE DOOR W/ 1" GLASS UNIT
GLASS, GLAZING, & GLAZING MATERIAL BY WAUSAU WINDOW AND WALL SYSTEMS PLANT 1
GLAZING NOTE: GLASS THICKNESS MUST NOT EXCEED 1" - CONFIRM THICKNESS WITH PURCHASING



ENGINEERING NOTE: USE 532 IF A 4" SHIMMING BLOCK IS REQUIRED, USE 511 IF A CONTINUOUS CAULK BACKER - SHIMMING BLOCK IS REQUIRED.



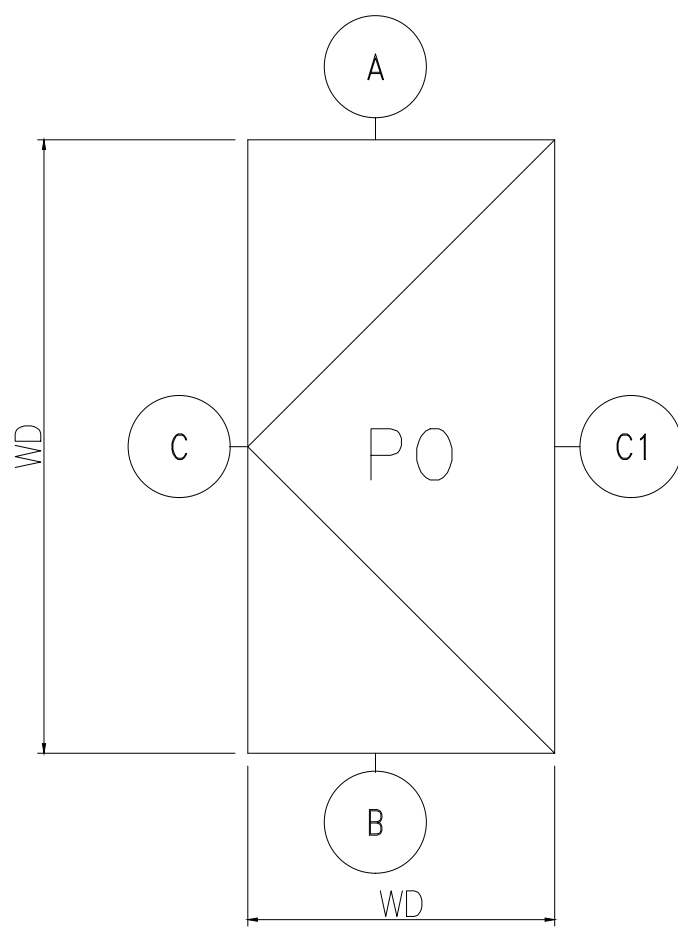
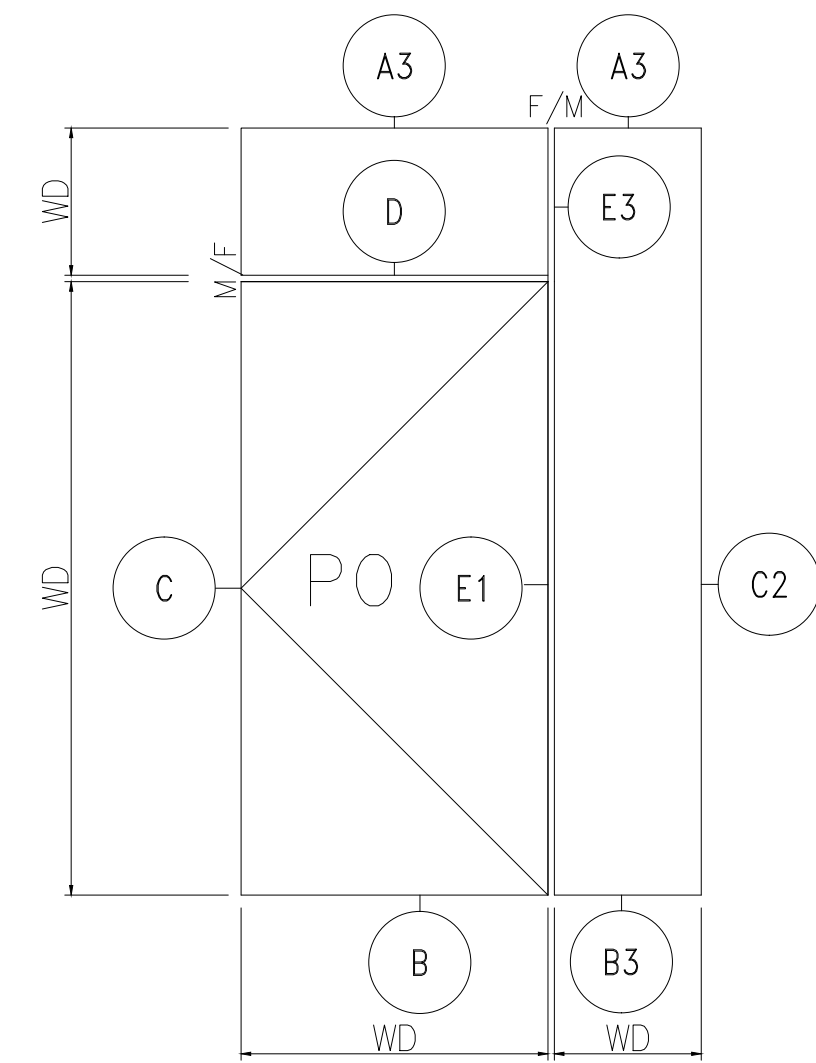
AVAILABLE ANCHOR & CAULK BACKER



SERIES:
TD4250i PO FRENCH DOOR
(4 1/2" DEEP)
LAST UPDATED: 5/22/06

7800 International Drive
P.O. Box 1746
Wausau, WI 54402-1746

Phone: (715) 845-2161
Fax: (715) 843-4350
www.wausauwindow.com



PO: PROJECT OUT REFERENCE ELEVATIONS

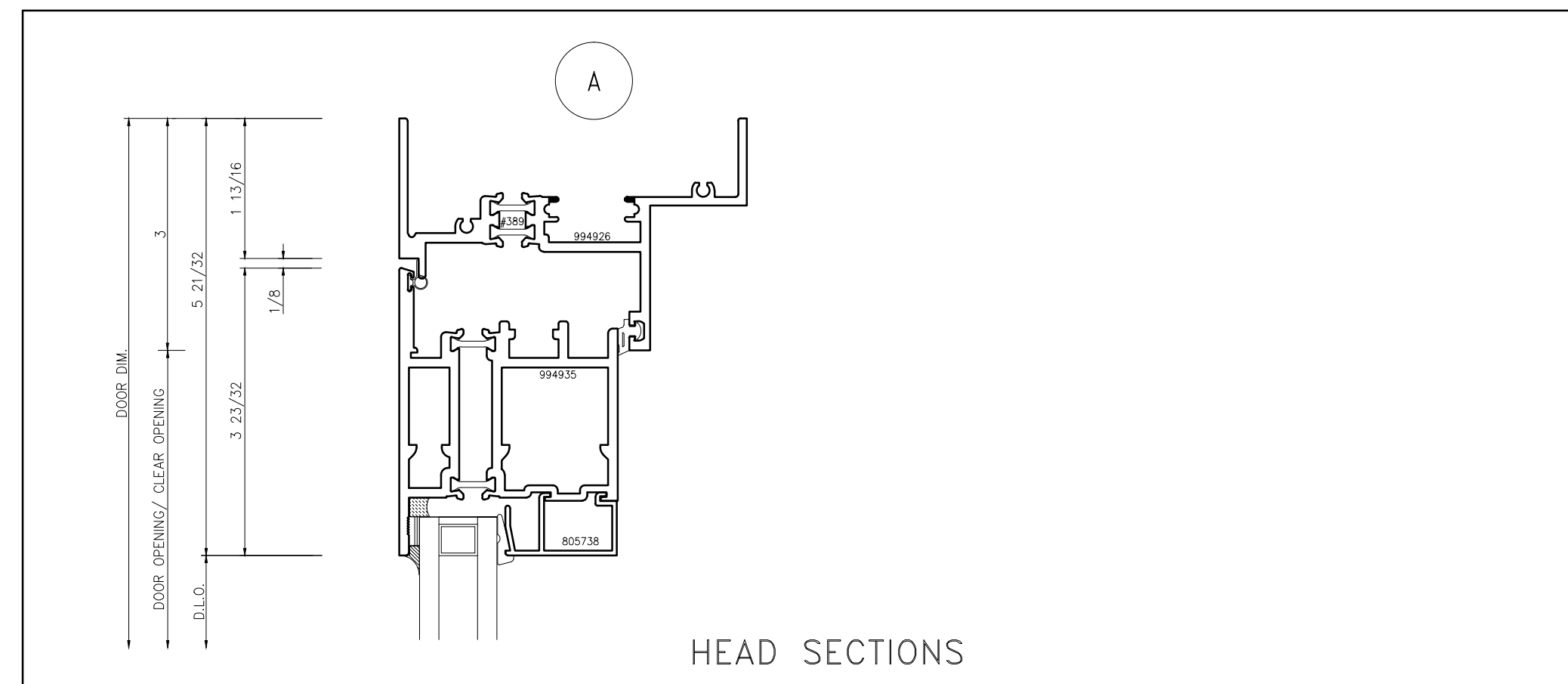
NOTES:

1. VERTICAL FRAME MEMBERS RUN THROUGH.
2. THIS SYSTEM WILL ACCOMMODATE 4100 FIXED LITE TRANSON AND SIDELITE WINDOWS
3. AIR & WATER INFILTRATION
 - A. .1 cfm/sqft @ 6.24
 - B. 15 psf
4. SIZE LIMITATIONS
 - A. INSWING SINGLE DOOR 60"x99"
 - B. INSWING FRENCH DOOR 99"x99"
5. SASH CONSTRUCTION
 - A. MITERED, CORNER BLOCKED AND CRIMPED

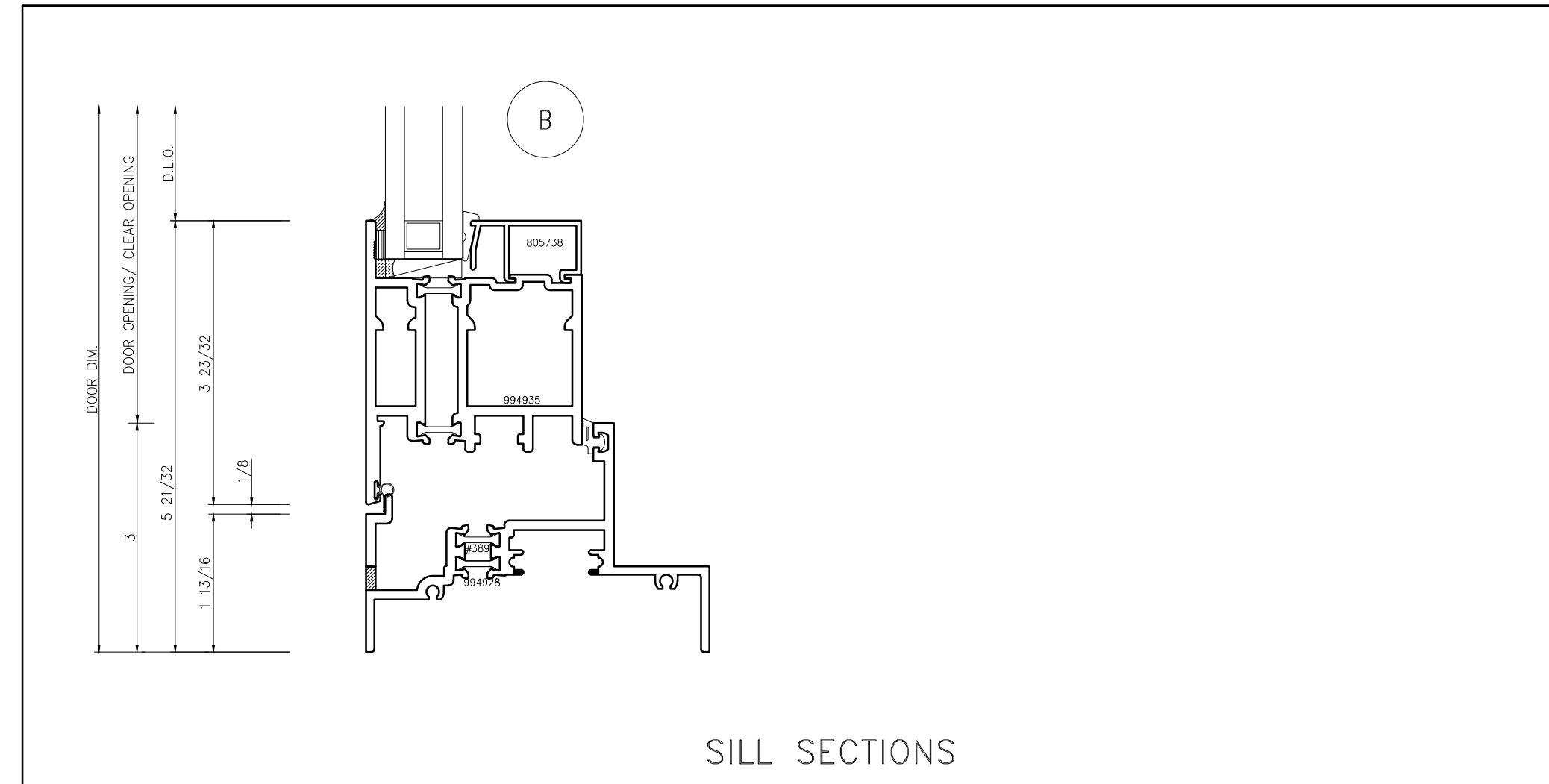


SERIES:
TD4250i PO /w4100 Fixed
(4 1/2" DEEP)
LAST UPDATED: 5/22/06

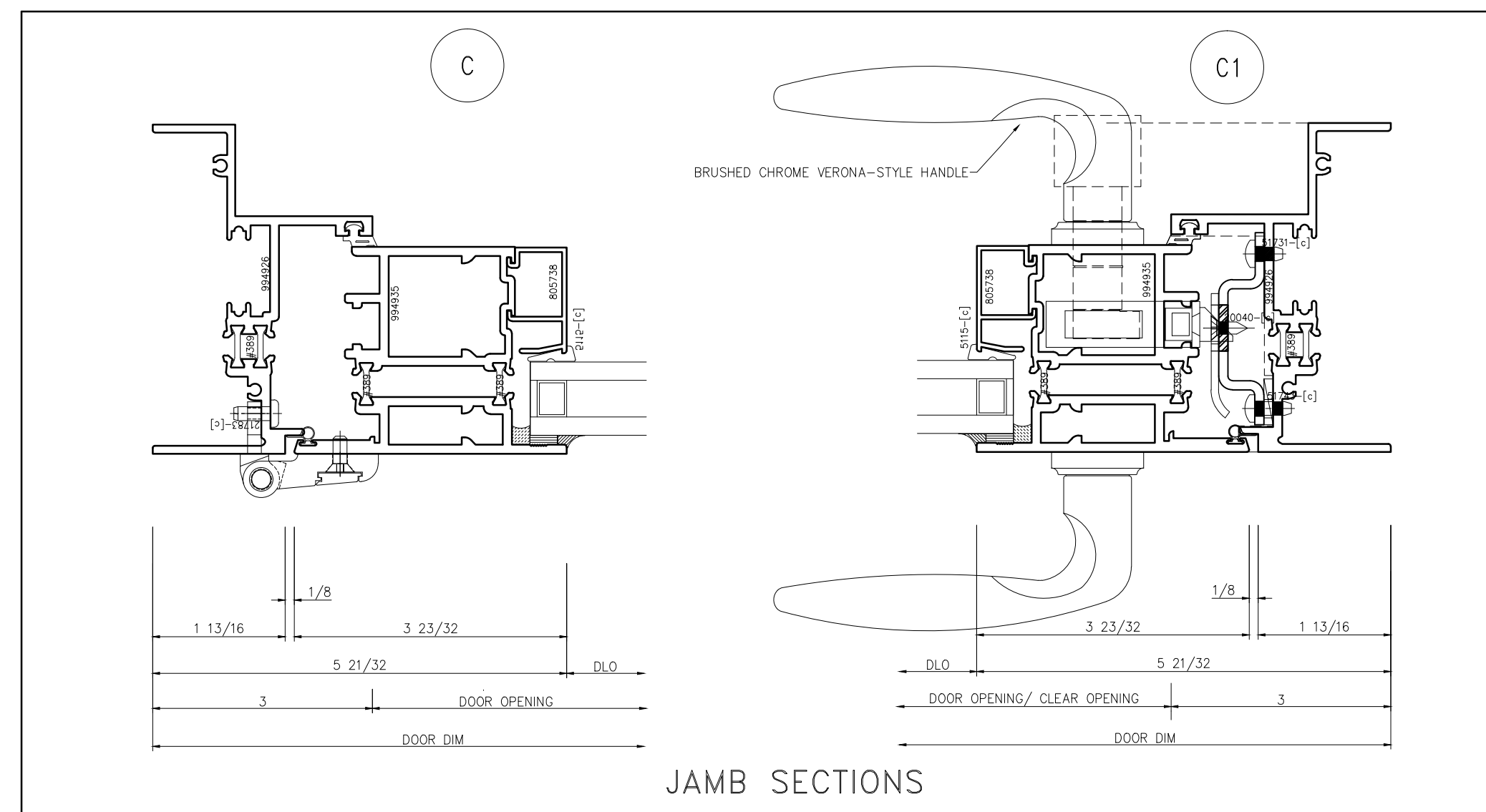
7800 International Drive
P.O. Box 1746
Wausau, WI 54402-1746
Phone: (715) 845-2161
Fax: (715) 843-4350
www.wausauwindow.com



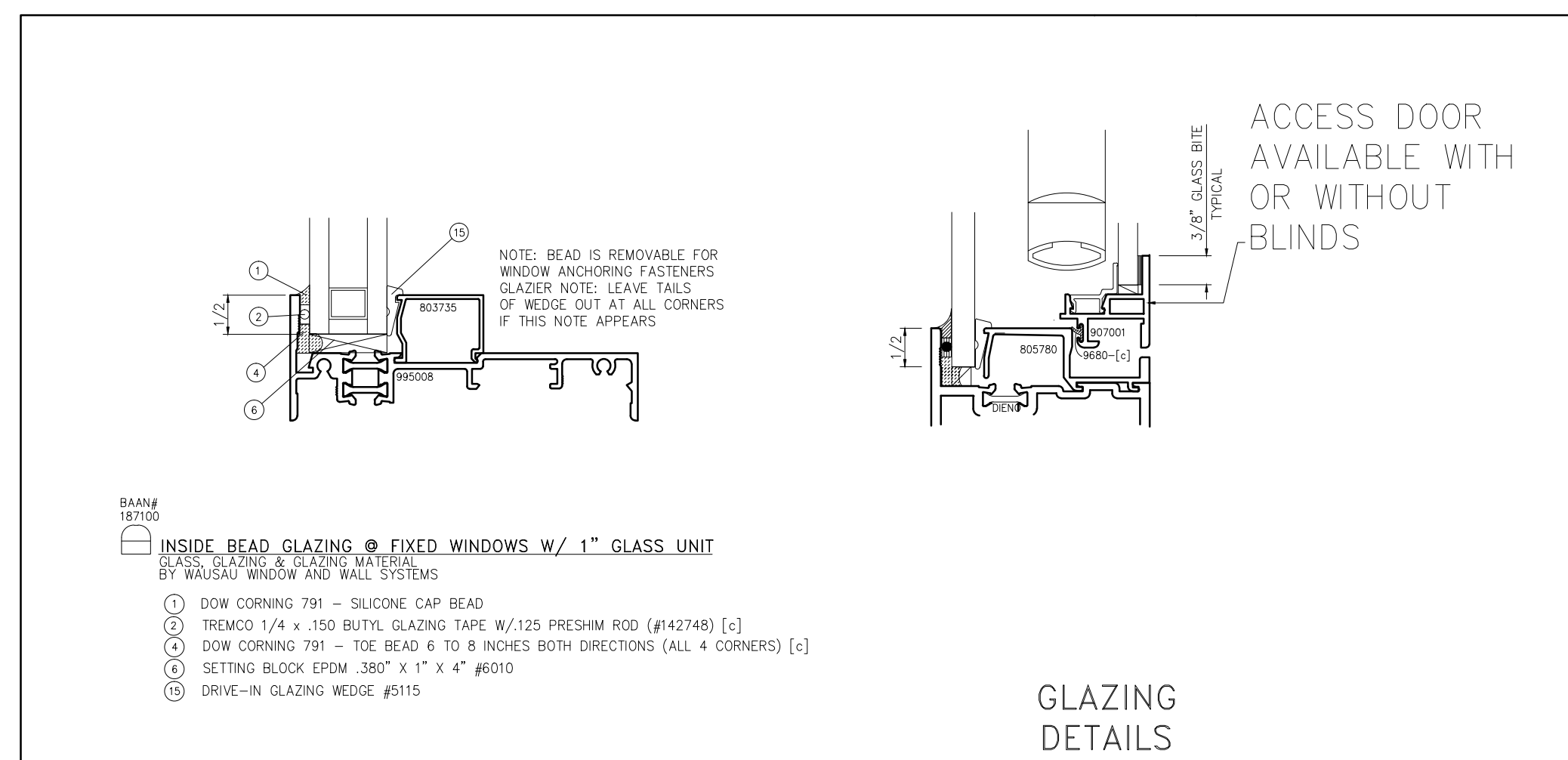
HEAD SECTIONS



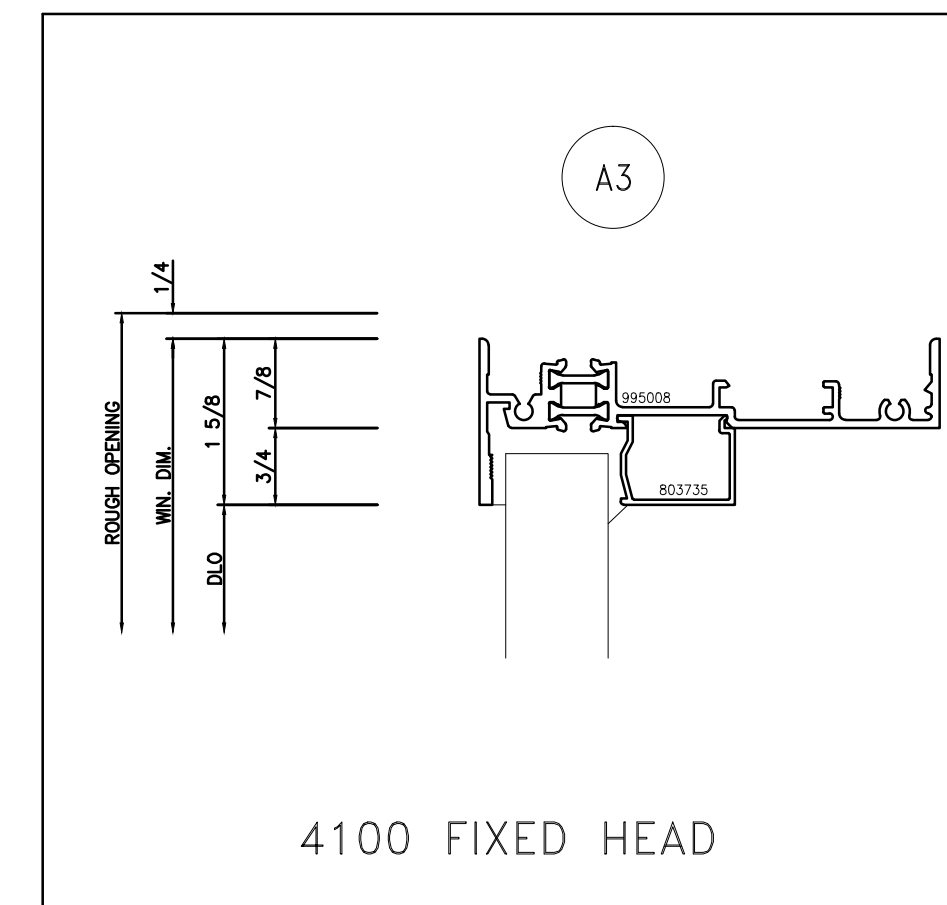
SILL SECTIONS



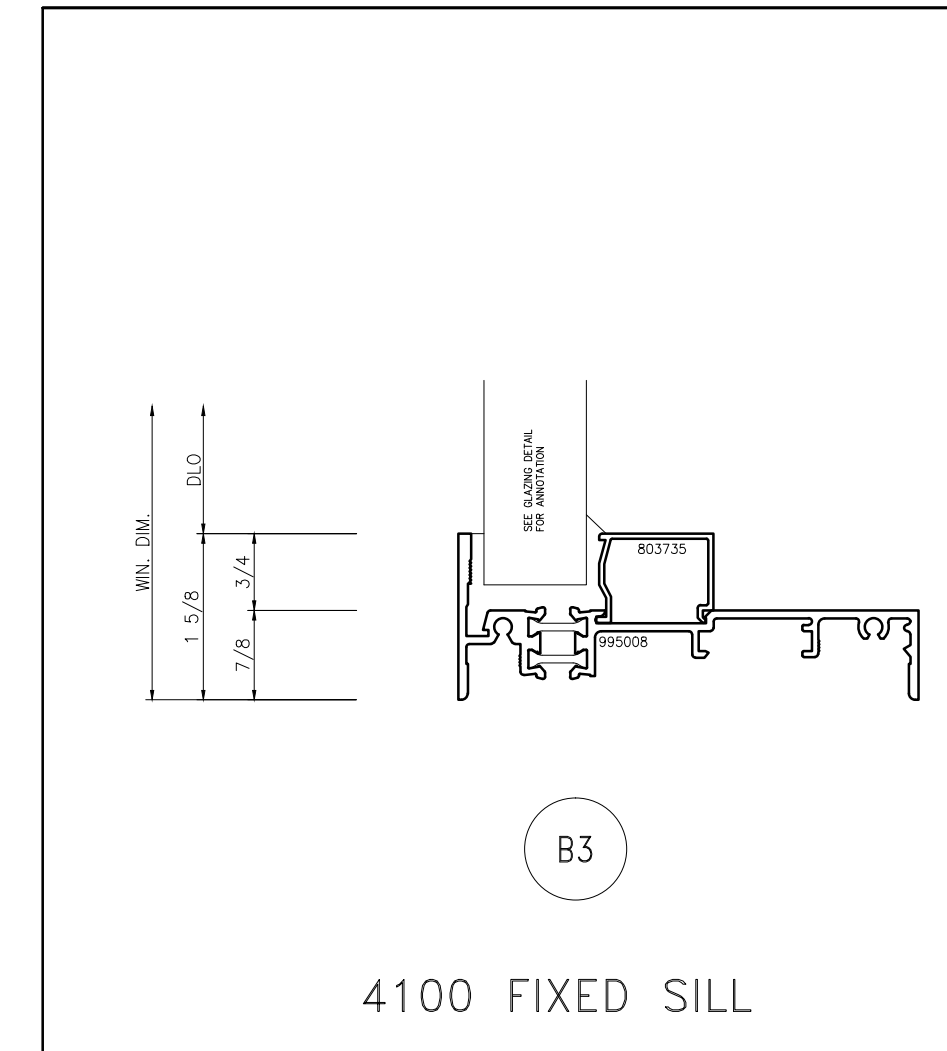
JAMB SECTIONS



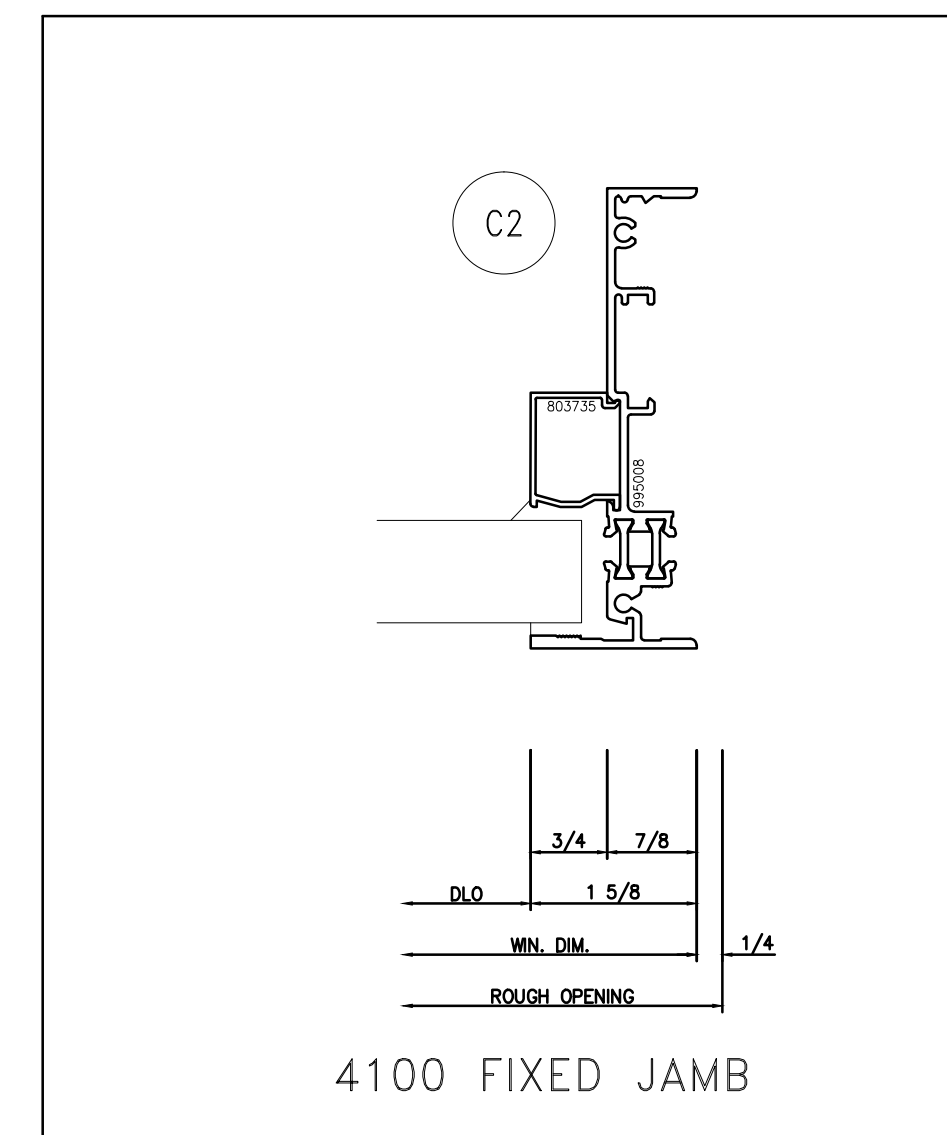
GLAZING DETAILS



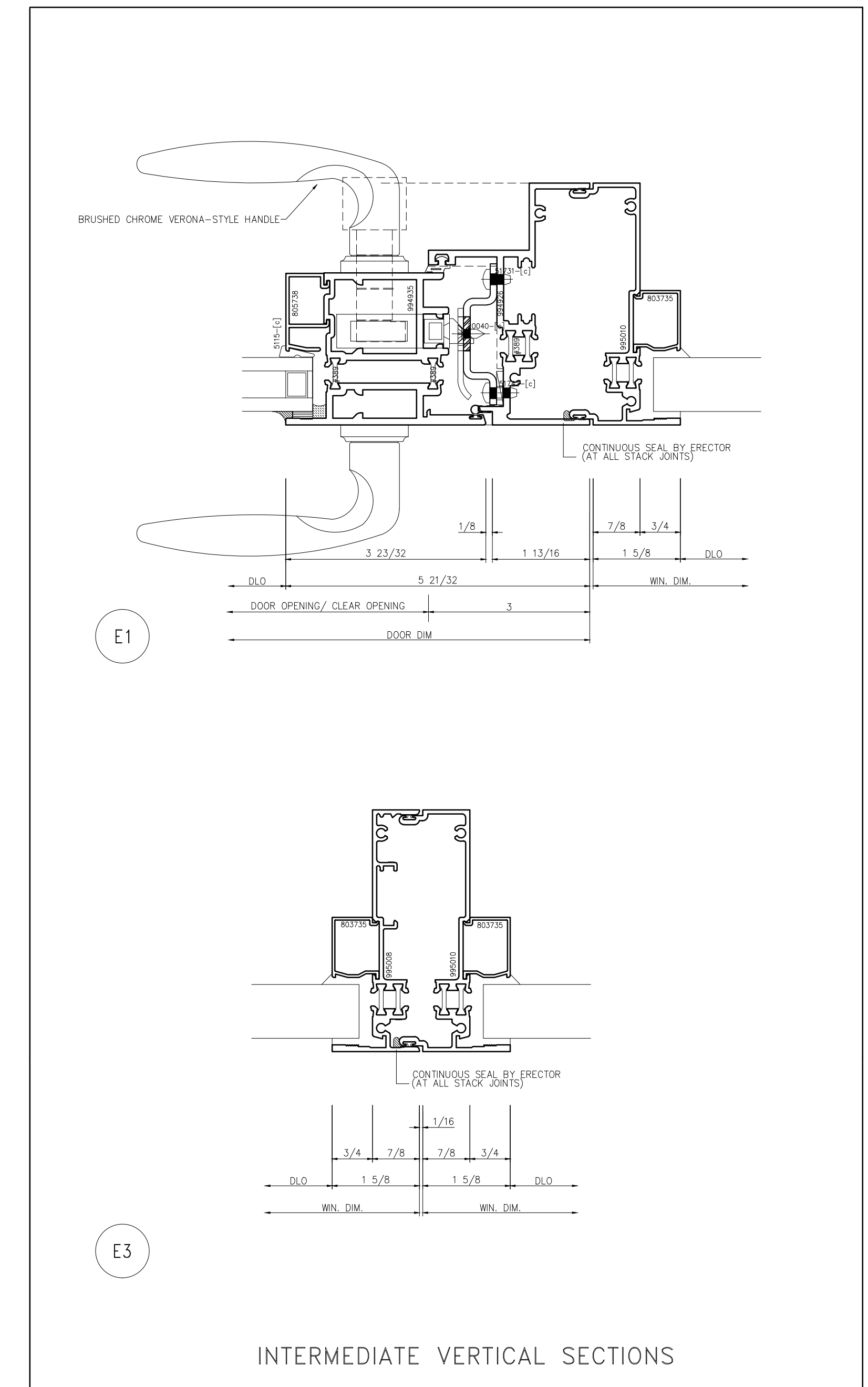
4100 FIXED HEAD



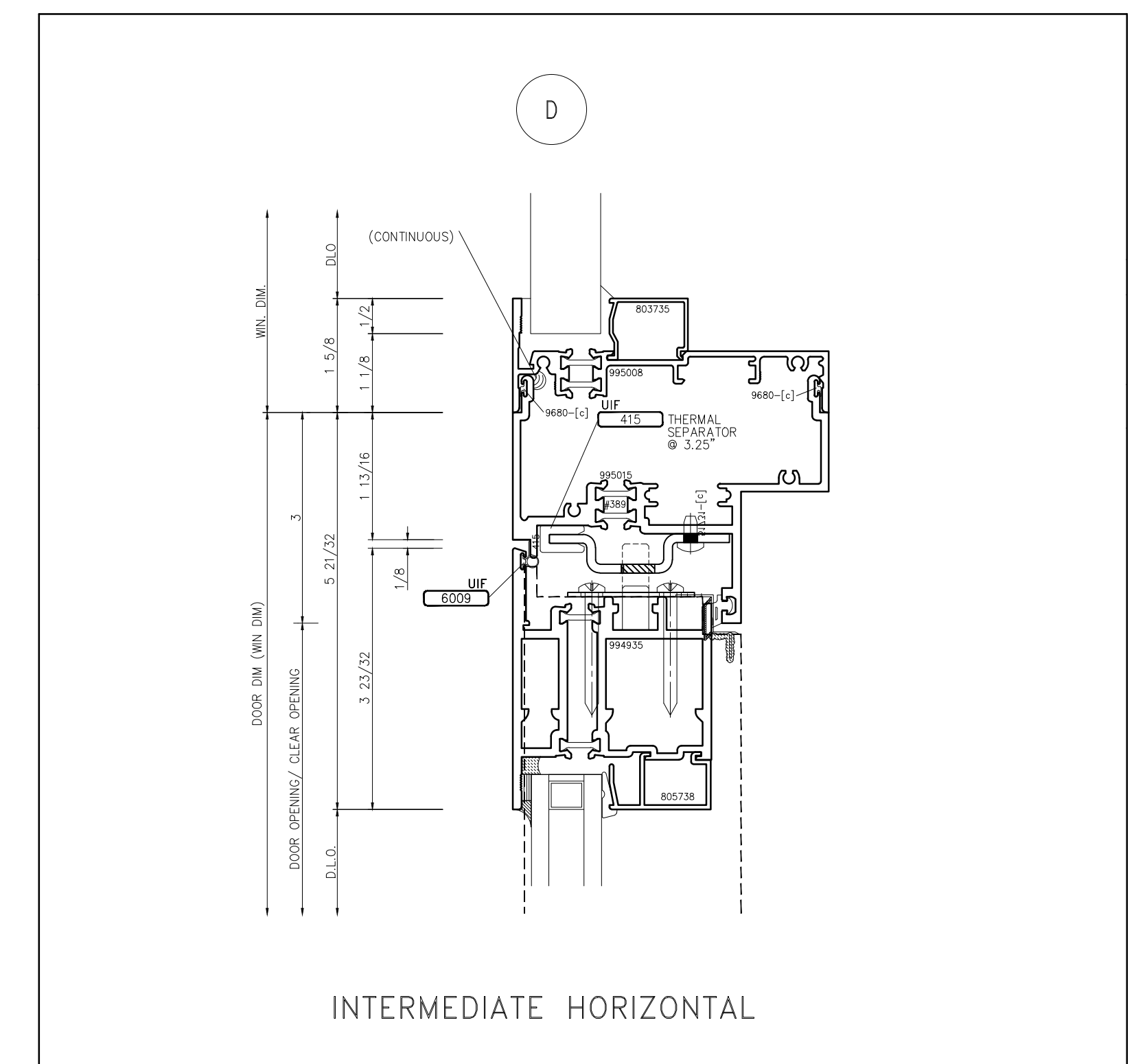
4100 FIXED SILL



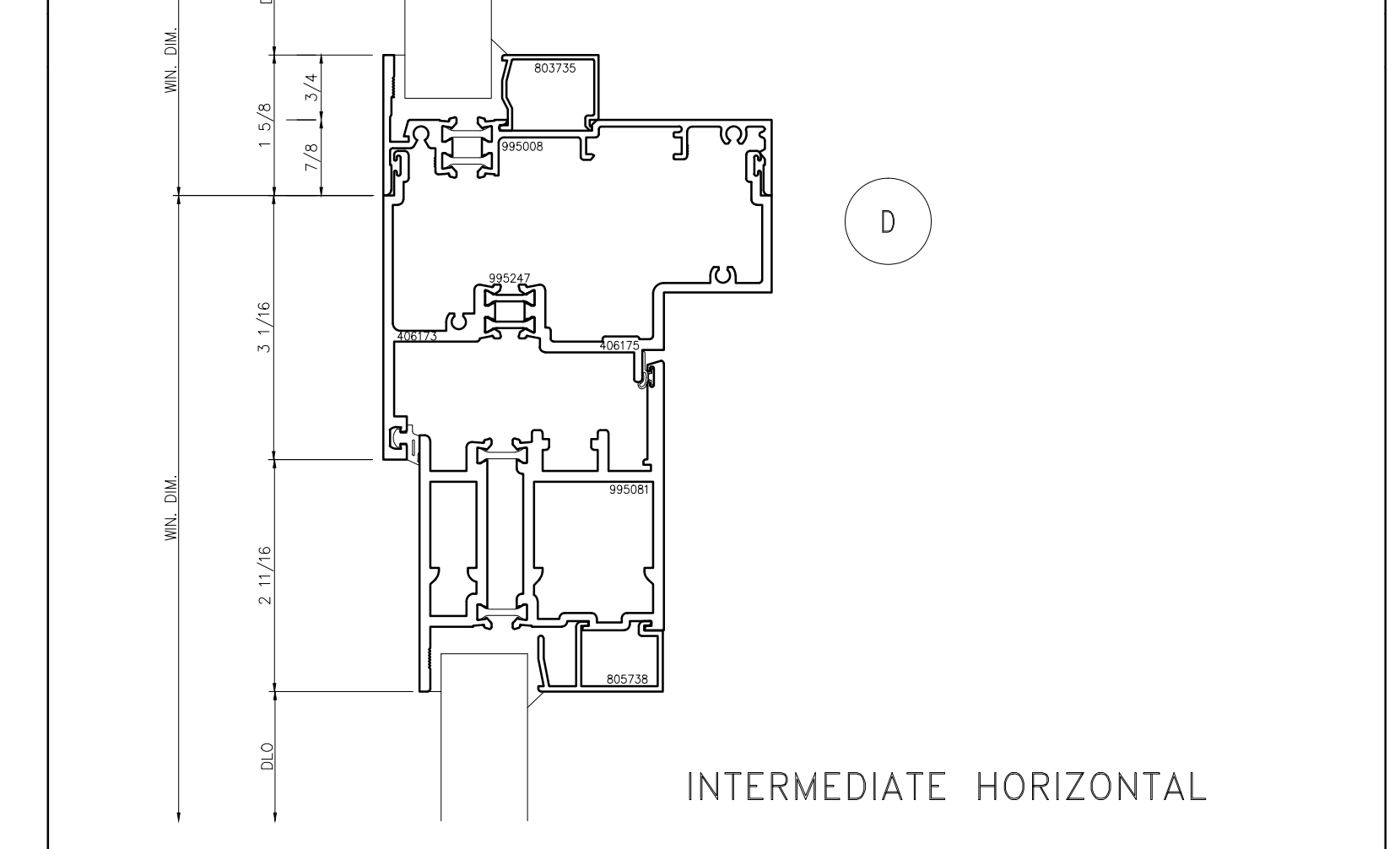
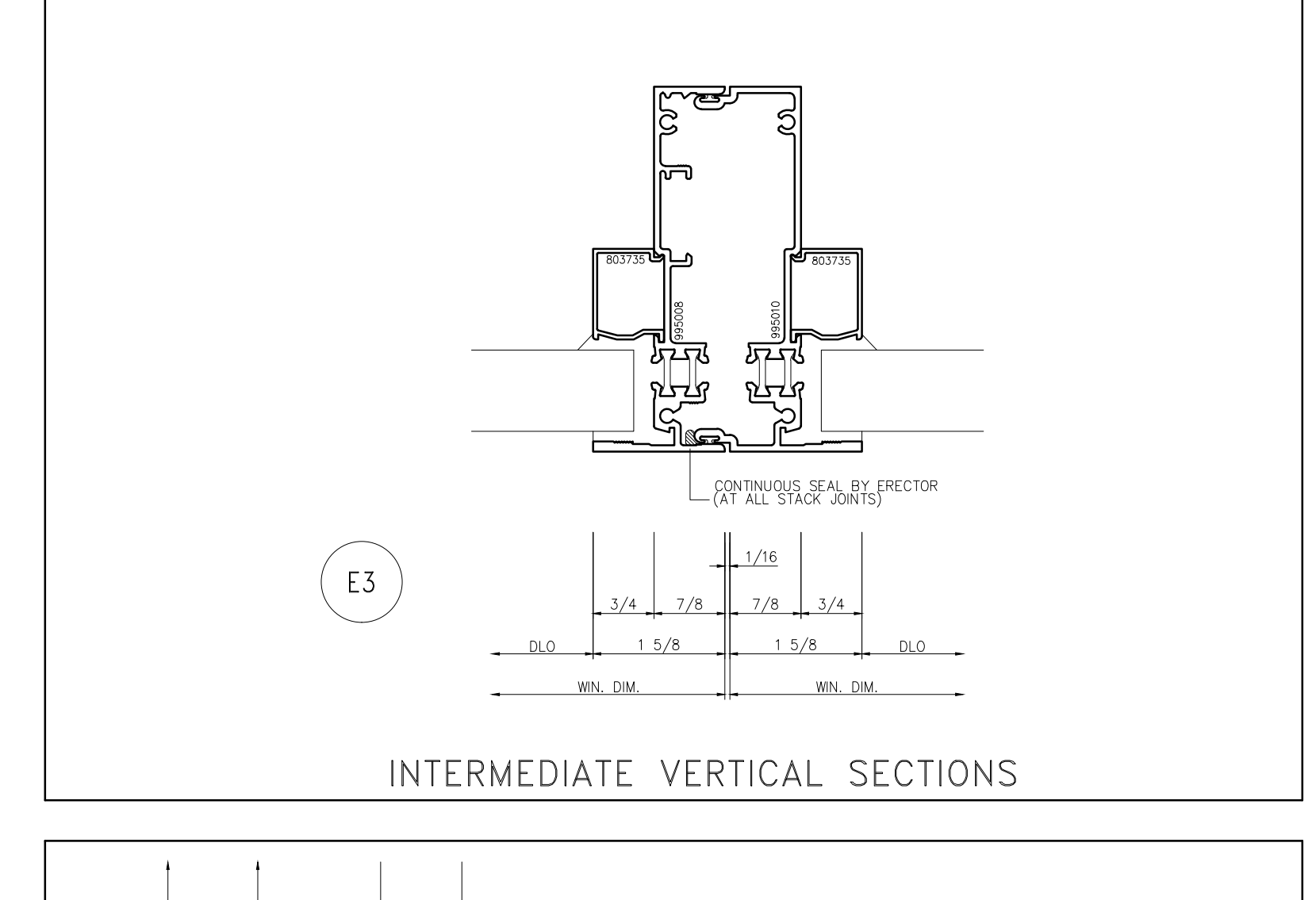
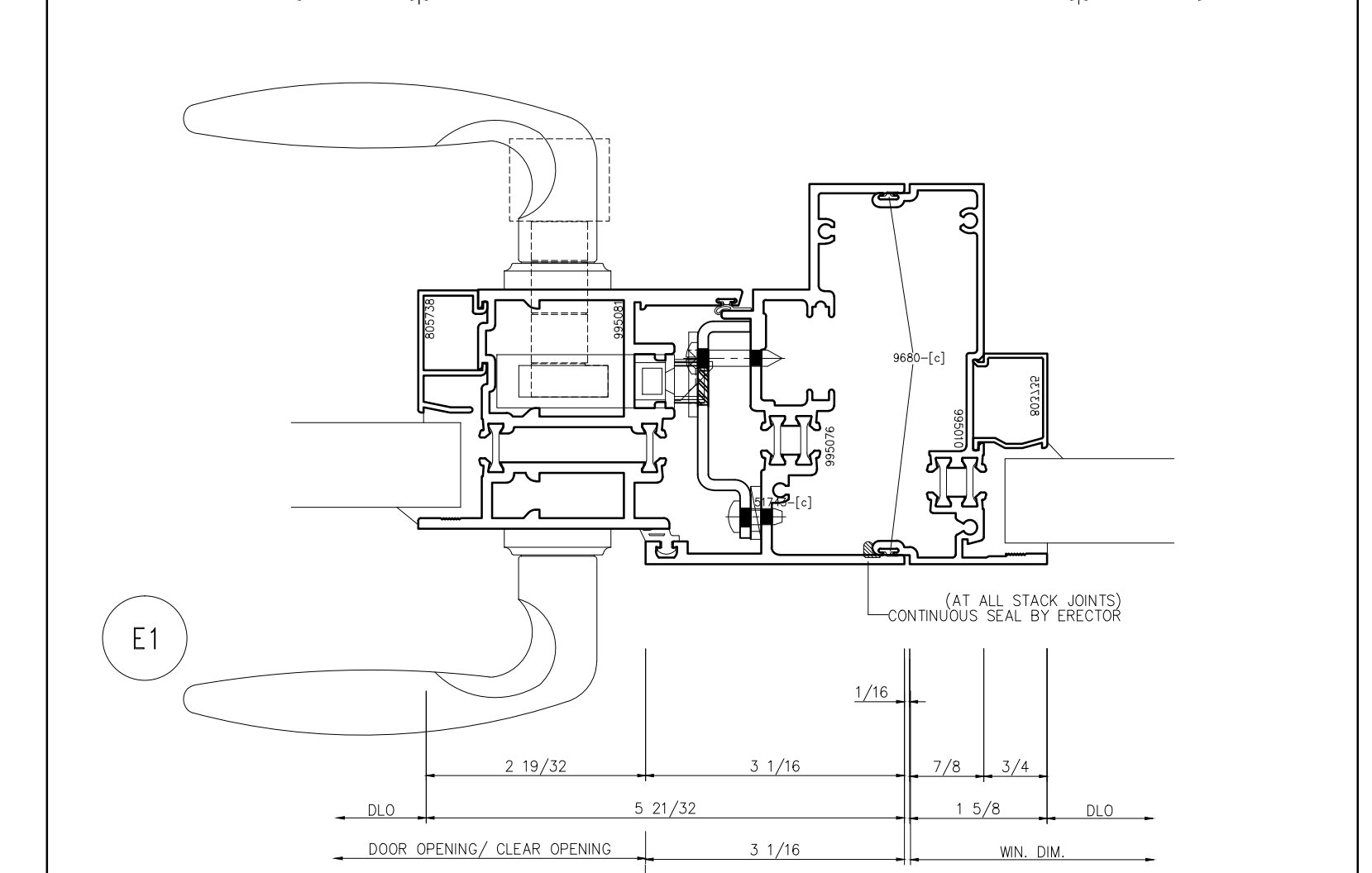
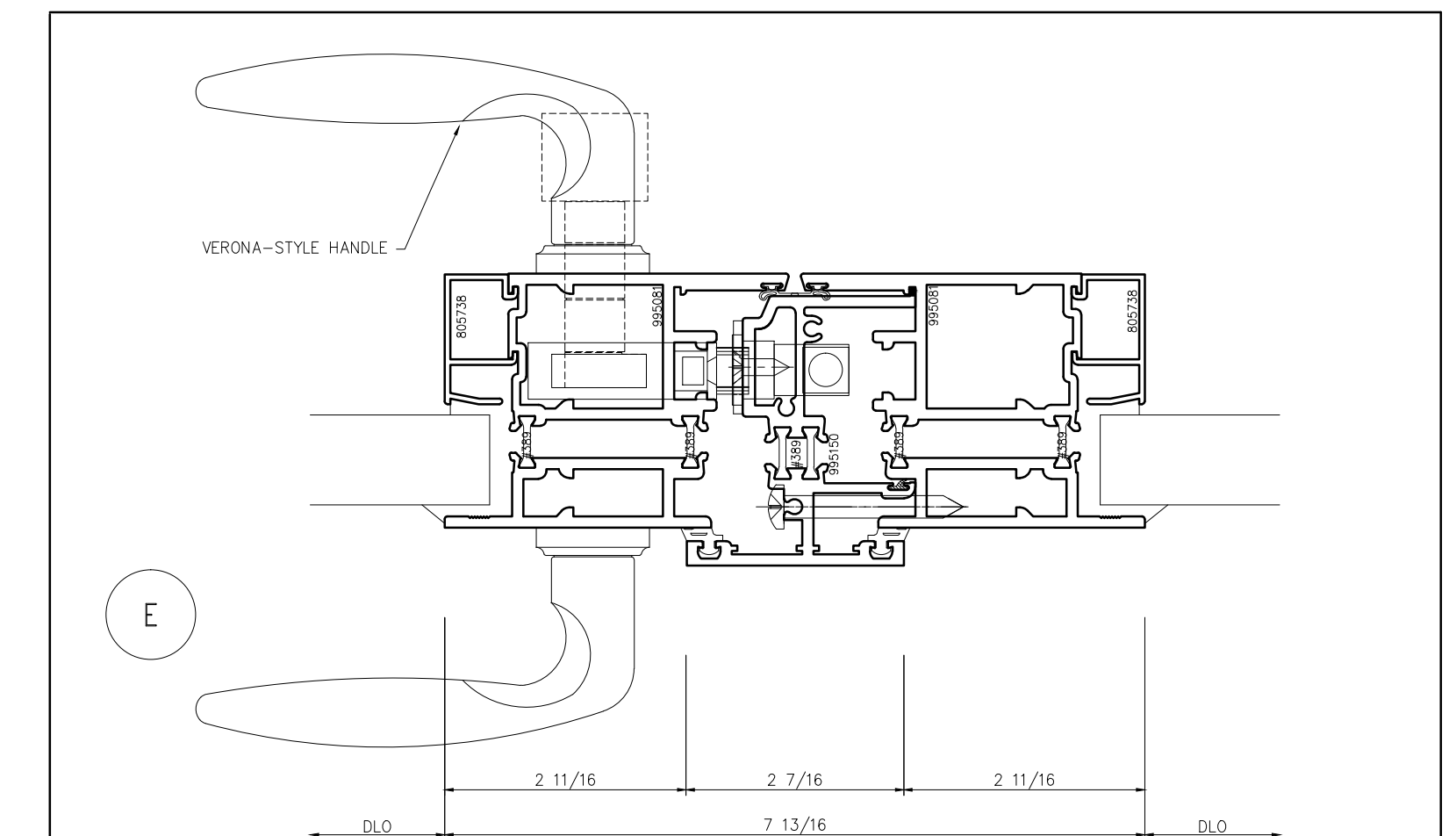
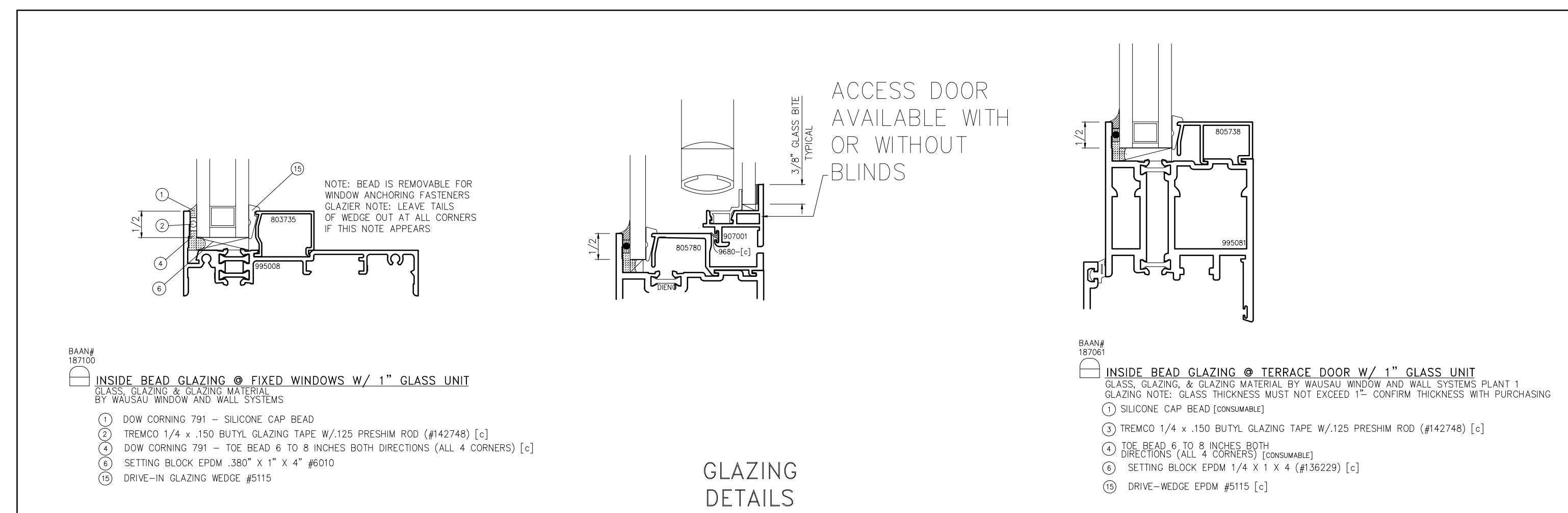
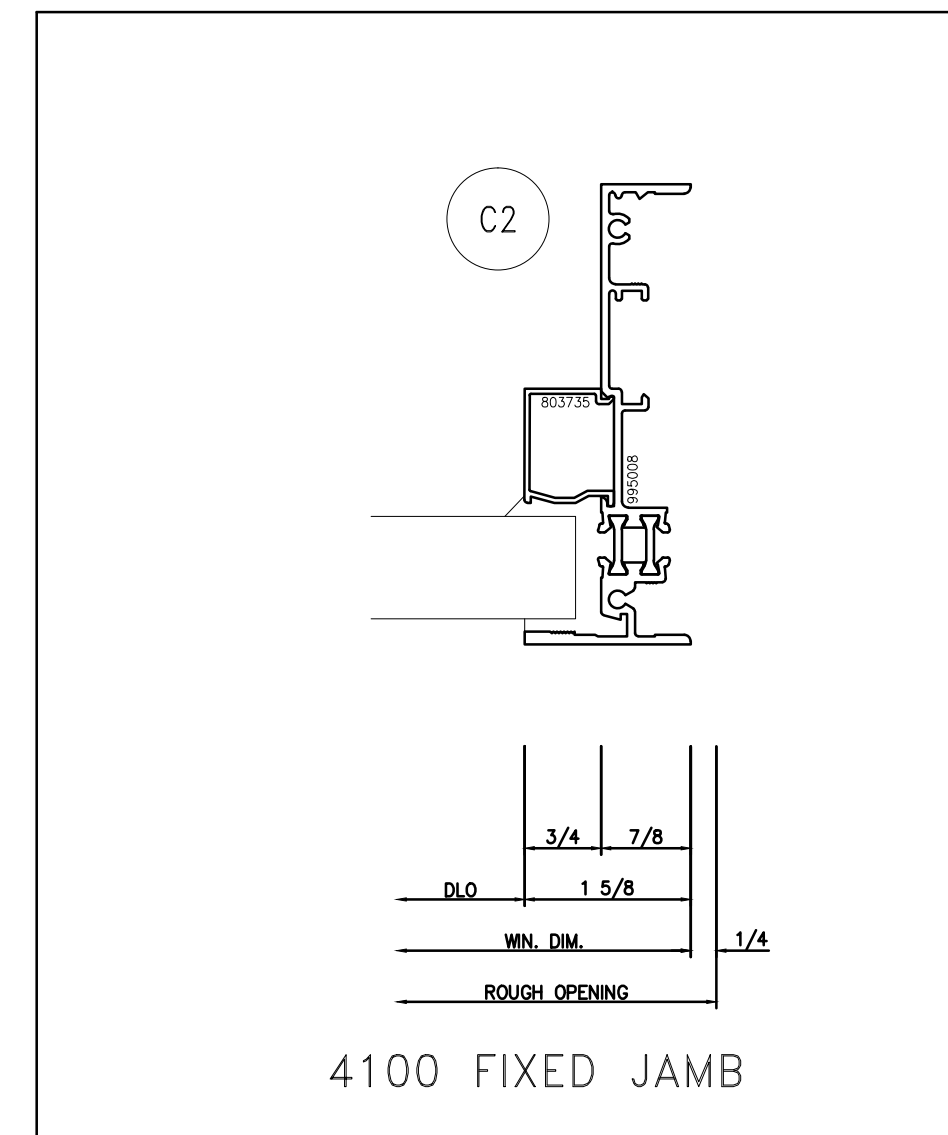
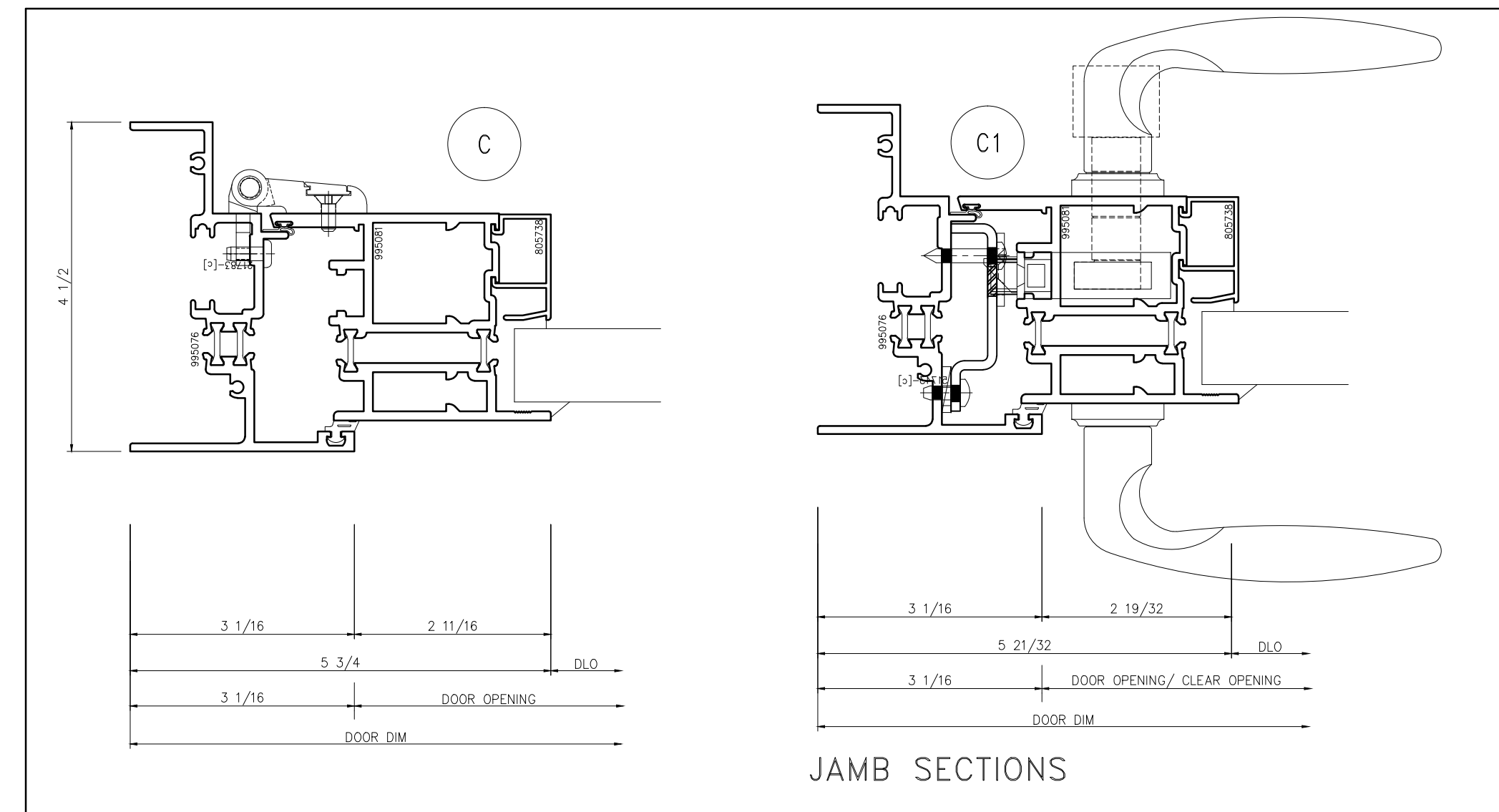
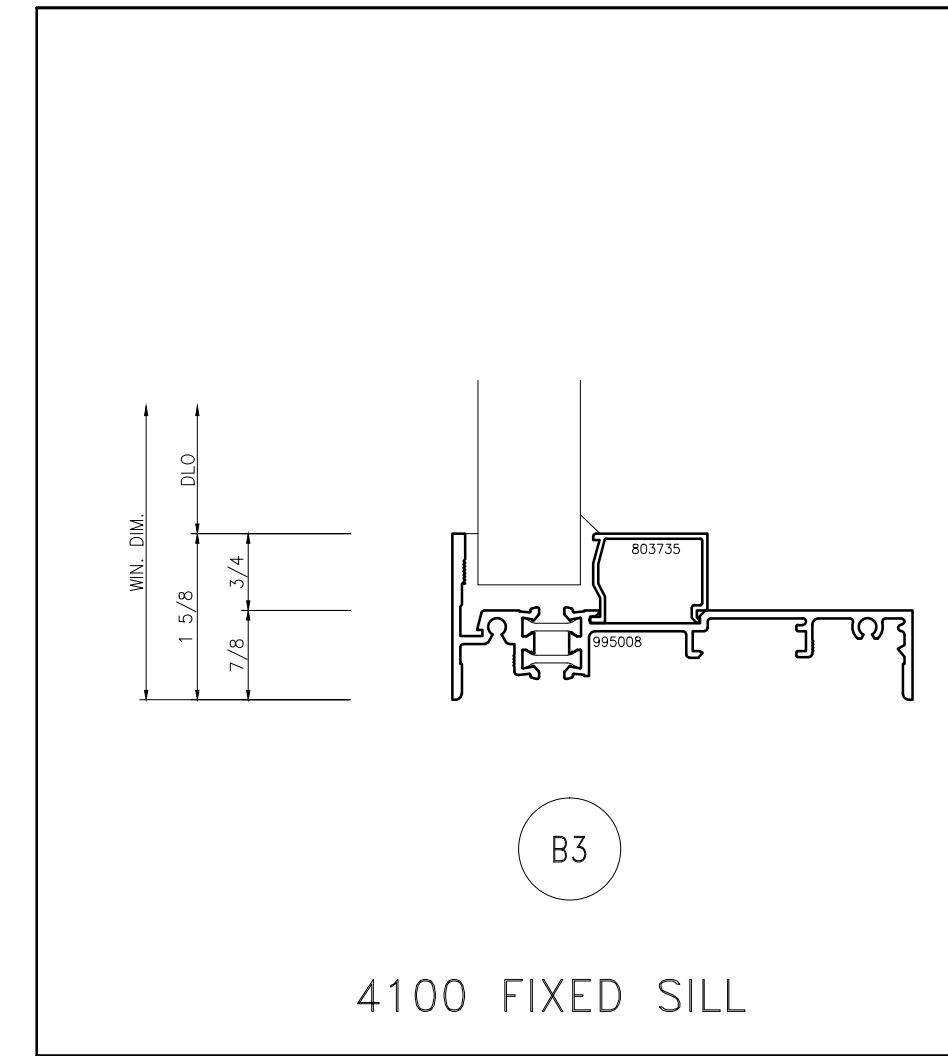
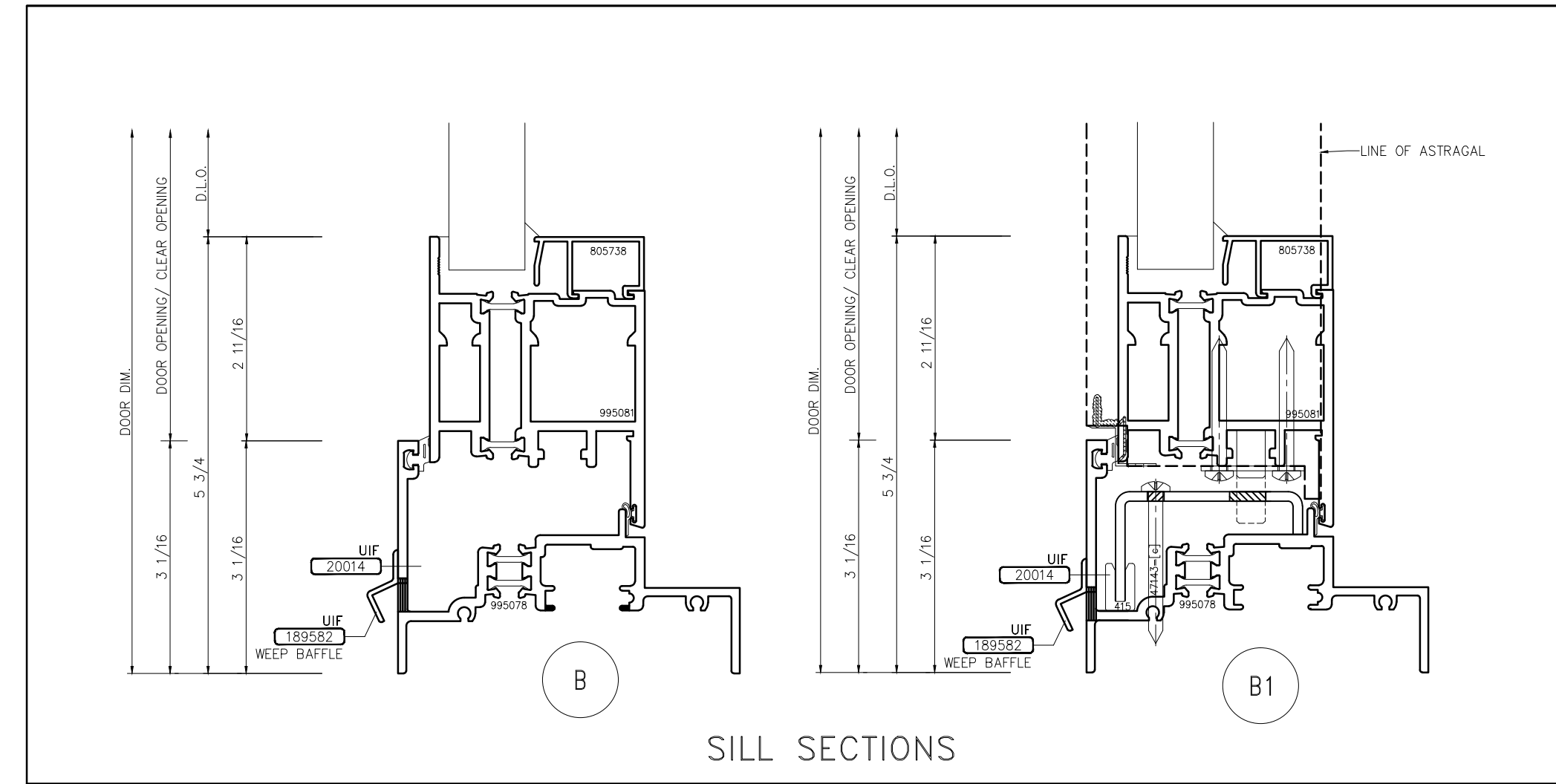
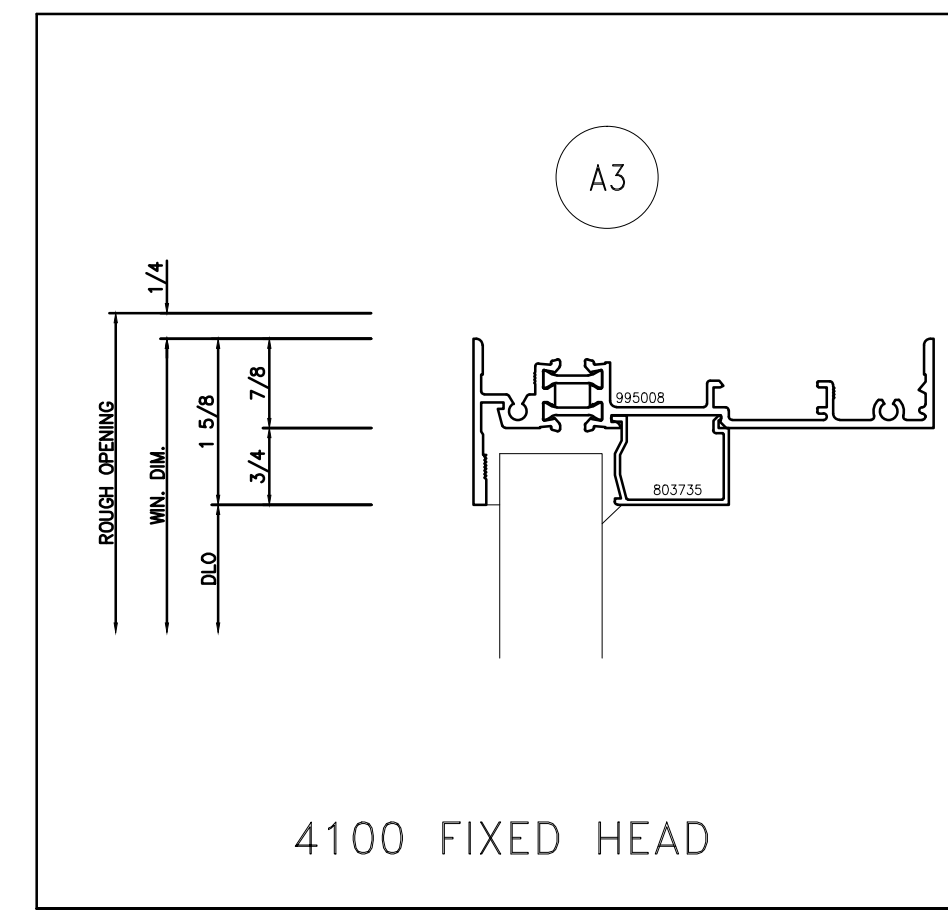
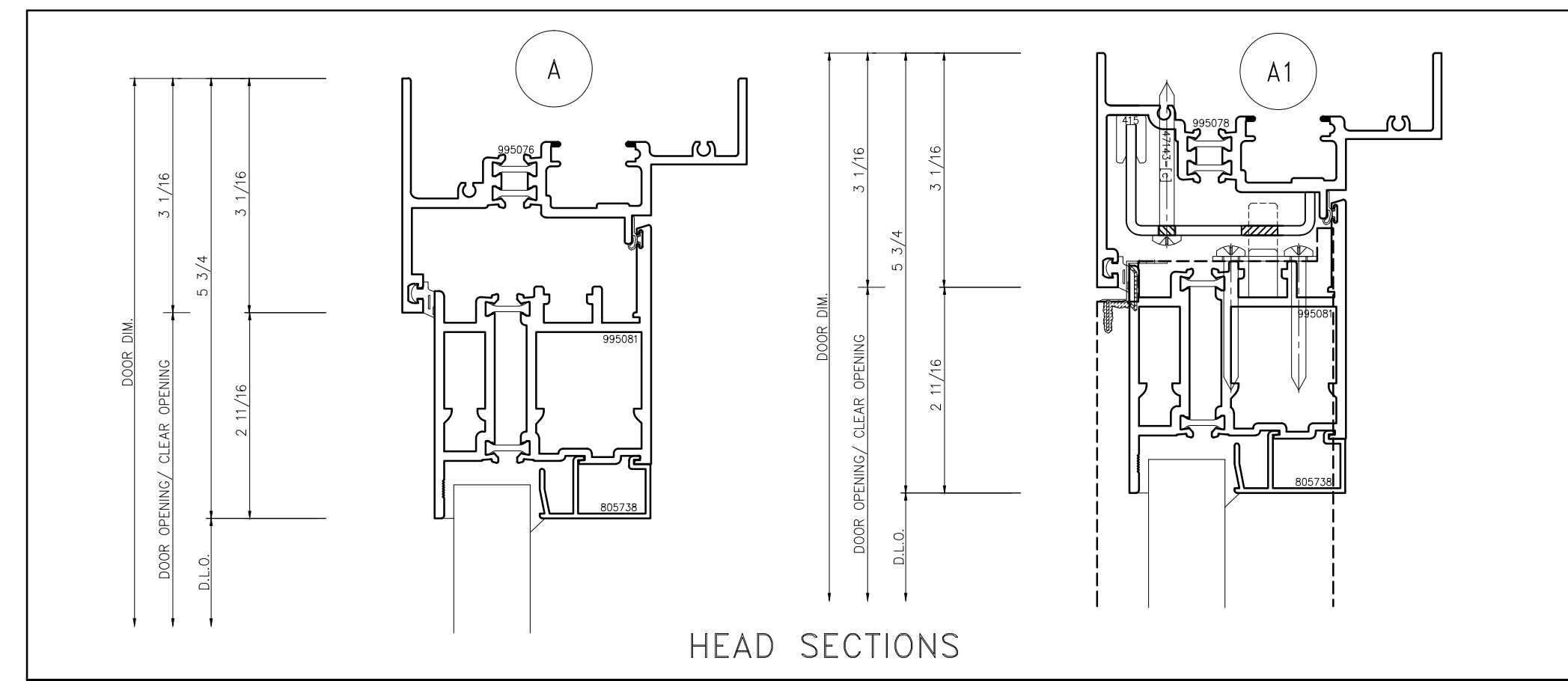
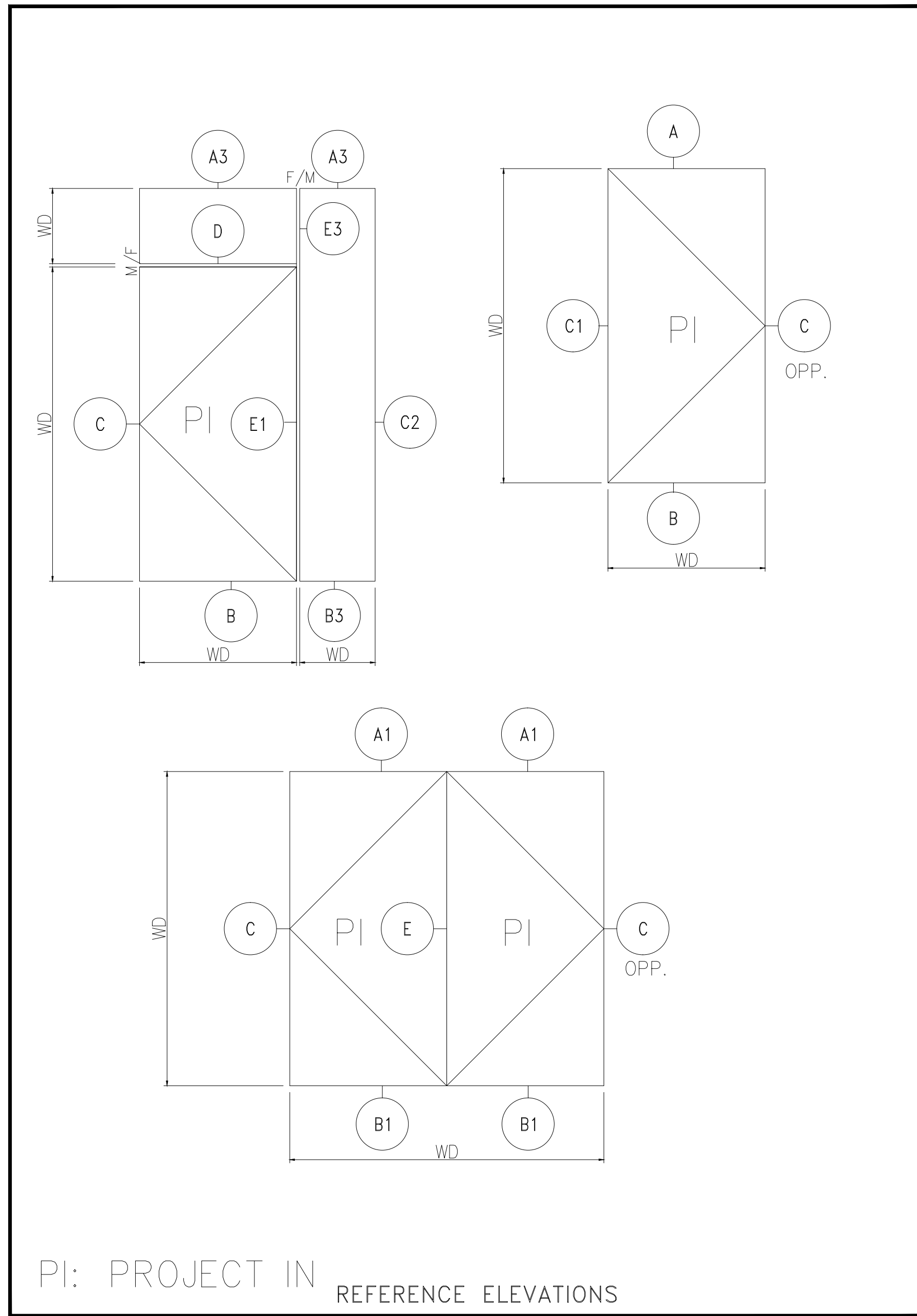
4100 FIXED JAMB



INTERMEDIATE VERTICAL SECTIONS



INTERMEDIATE HORIZONTAL



- NOTES:
- VERTICAL FRAME MEMBERS RUN THROUGH.
 - THIS SYSTEM WILL ACCOMMODATE 4100 FIXED LITE TRANSON AND SIDELITE WINDOWS
 - AIR & WATER INFILTRATION
 - A. .1 cfm/sqft @ 6.24
 - B. 15 psf
 - SIZE LIMITATIONS
 - A. INSWING SINGLE DOOR 60"x99"
 - B. INSWING FRENCH DOOR 99"x99"
 - SASH CONSTRUCTION
 - A. MITERED, CORNER BLOCKED AND CRIMPED

ADVANTAGE
BY WAUSAU

SERIES:
TD4250i PI /w4100 Fixed
(4 1/2" DEEP)
LAST UPDATED: 5/22/06

7800 International Drive
P.O. Box 1746
Wausau, WI 54402-1746

Phone: (715) 845-2161
Fax: (715) 843-4350
www.wausauwindow.com