

REFERENCE ELEVATION

NOTES:

1. FRAME CONSTRUCTION
  - A. JAMBS RUN THROUGH. HORIZONTALS ARE SQUARE CUT & FASTENED.
2. AIR & WATER INFILTRATION
  - A. 0.06 CFM/SQ FT @ 6.24 PSF
  - B. UP TO 15 PSF WATER



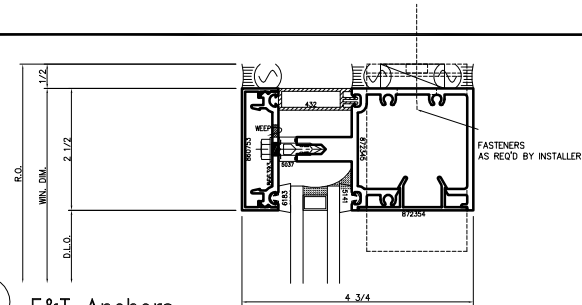
7800 International Drive  
P.O. Box 1746  
Wausau, WI 54402-1746

Phone: (715) 845-2161  
Fax: (715) 843-4350  
www.wausauwindow.com

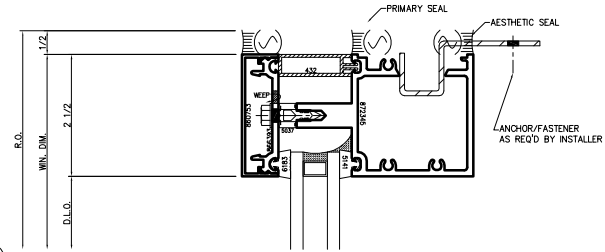
SERIES:  
**2 1/2" STOCK LENGTH  
SUPERWALL (4 3/4" DEEP)**

LAST UPDATED: 01/29/13

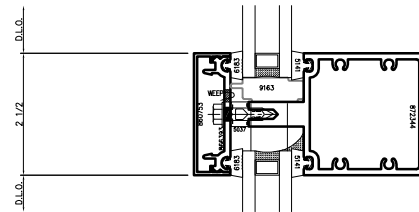
1 F&T Anchors



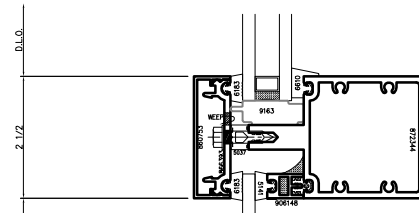
1a HEAD



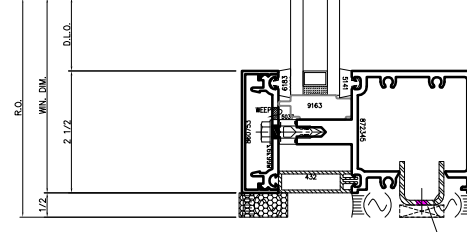
2 INTERMEDIATE HORIZONTAL



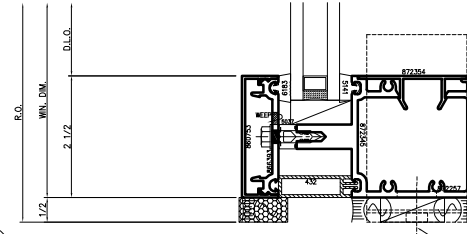
2A HORIZONTAL W/ANCHOR



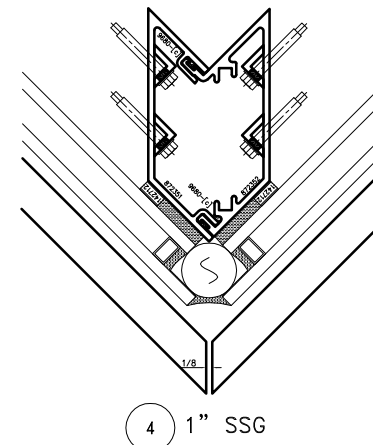
3 SILL



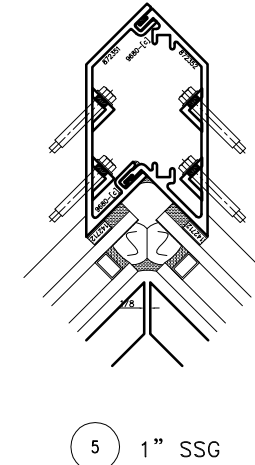
3a F&T Anchors



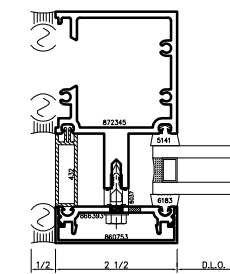
OUTSIDE CORNER



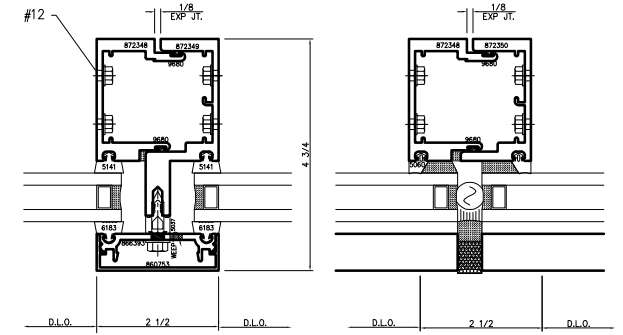
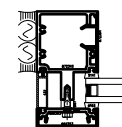
INSIDE CORNER



9 JAMB

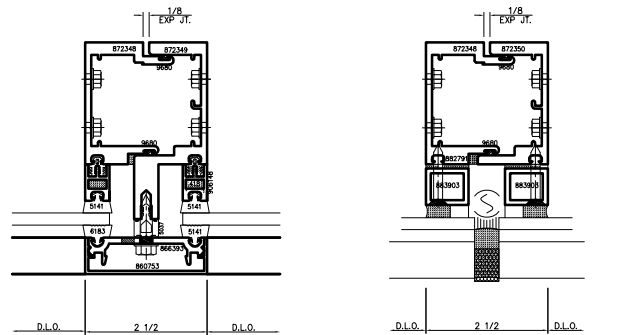


Alternate Die Offering



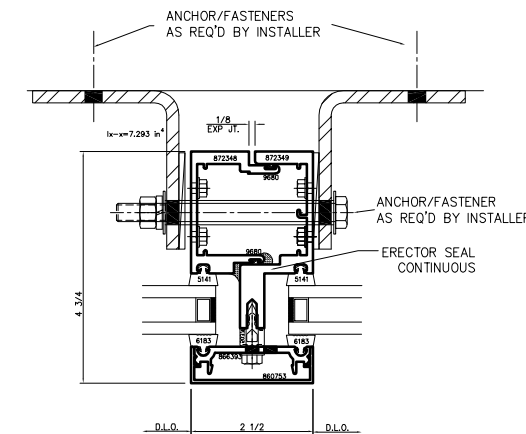
6 1" Captured

7 1" SSG



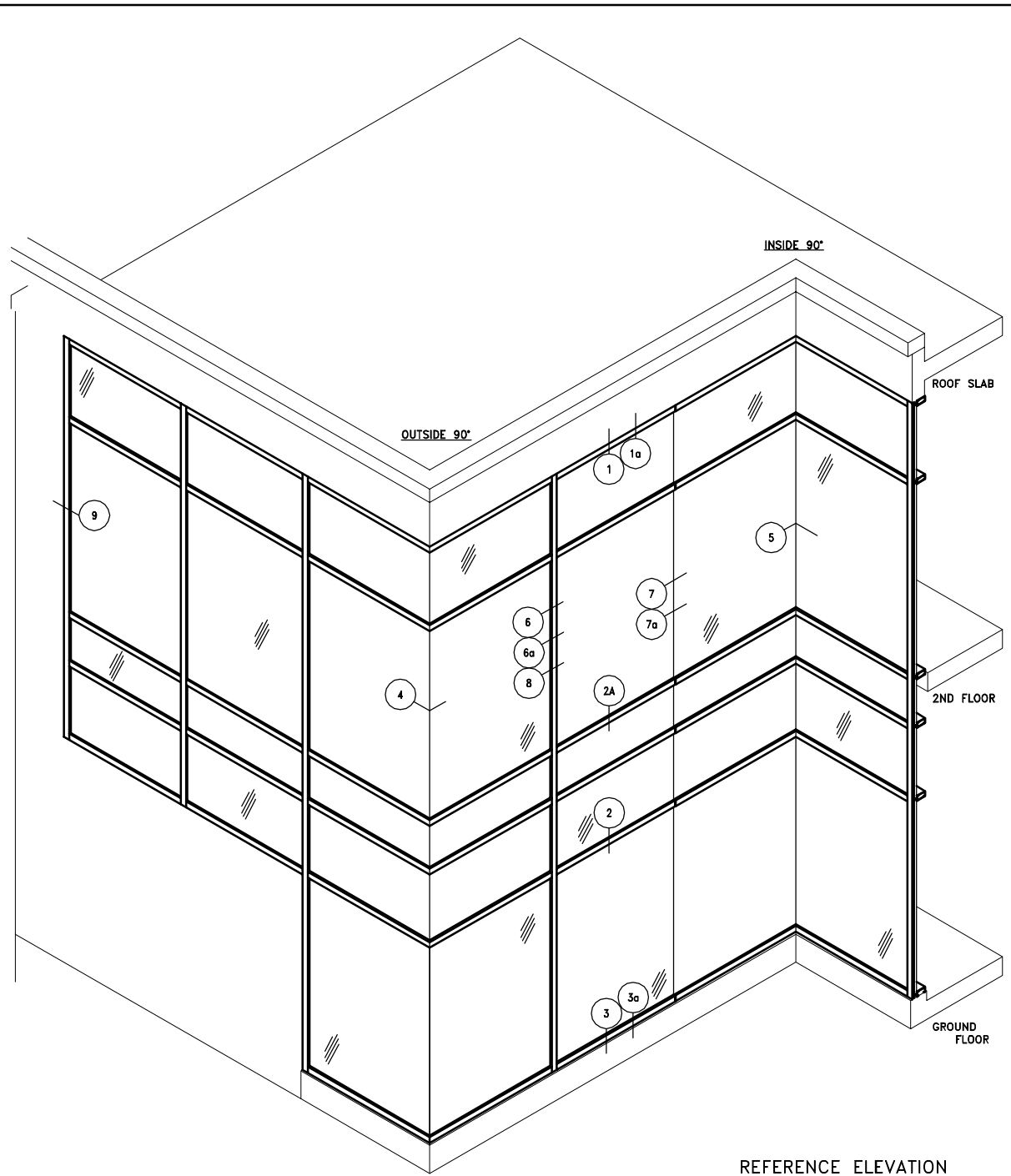
6A 1/4" Captured

7A 1/4" SSG



8 1" Captured with typical Anchors

INTERMEDIATE VERTICALS



REFERENCE ELEVATION

NOTES:

1. FRAME CONSTRUCTION
  - A. JAMBS RUN THROUGH. HORIZONTALS ARE SQUARE CUT & FASTENED.
2. AIR & WATER INFILTRATION
  - A. 0.06 CFM/SQ FT @ 6.24 PSF
  - B. UP TO 15 PSF WATER

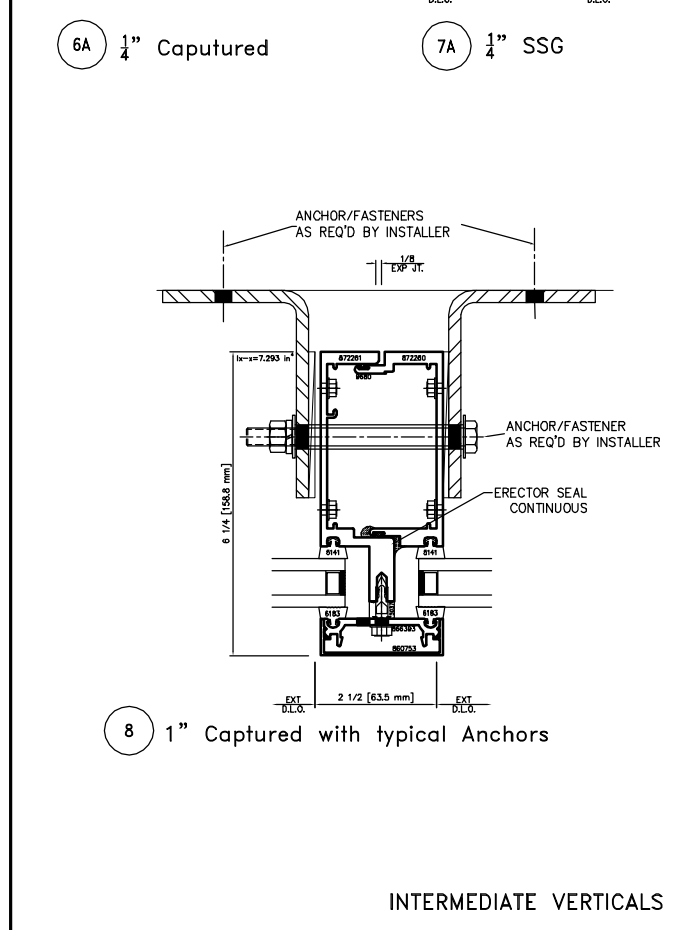
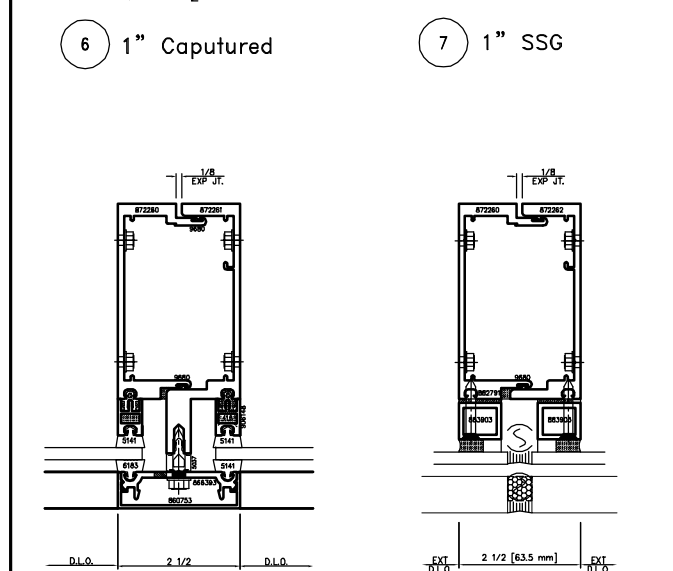
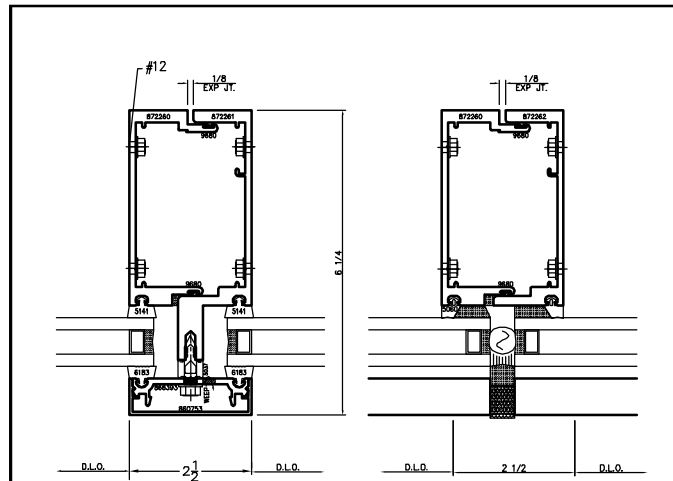
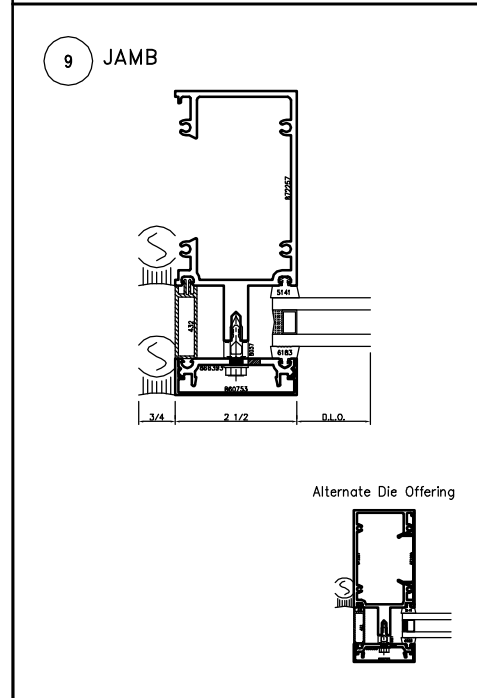
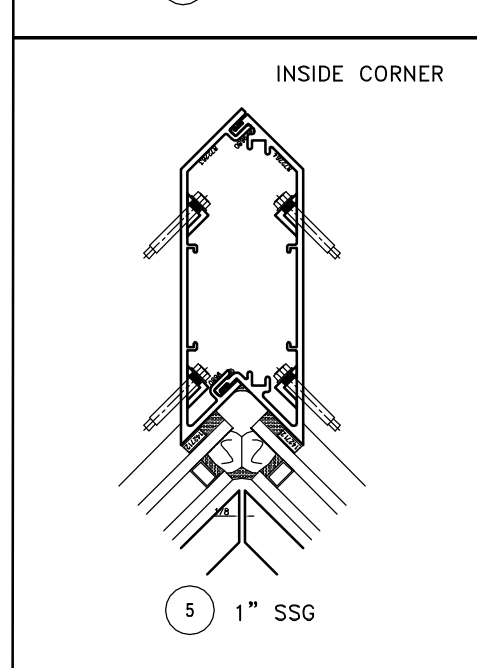
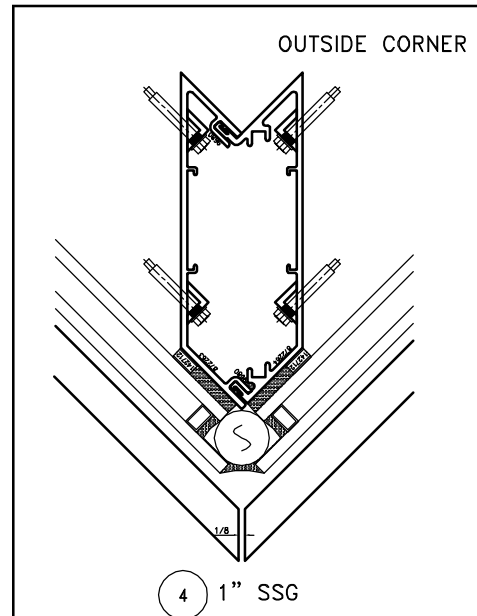
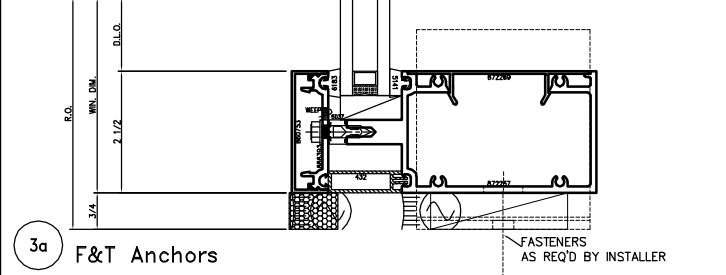
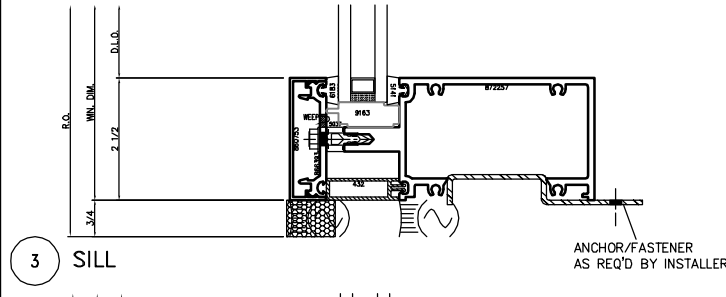
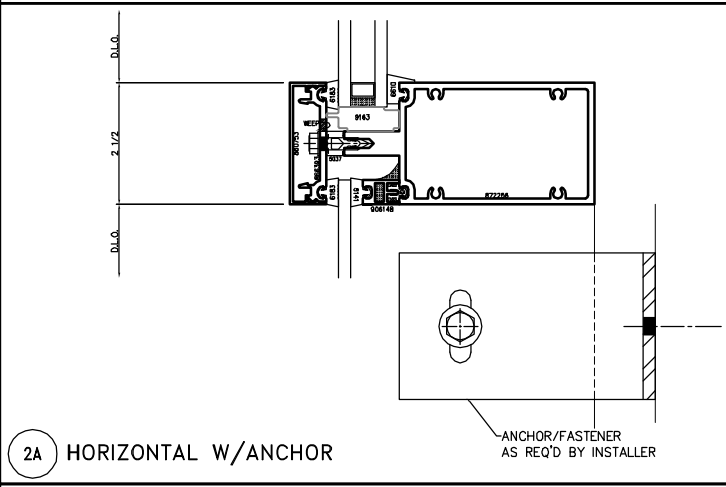
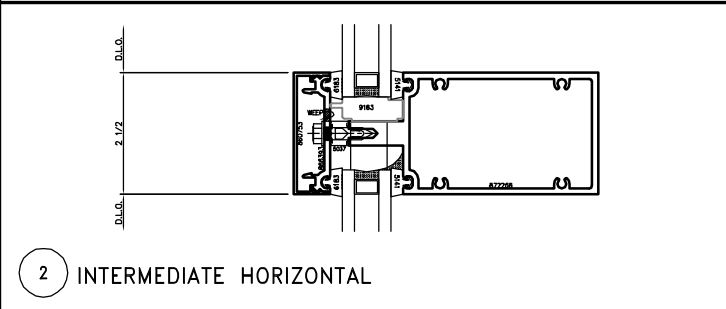
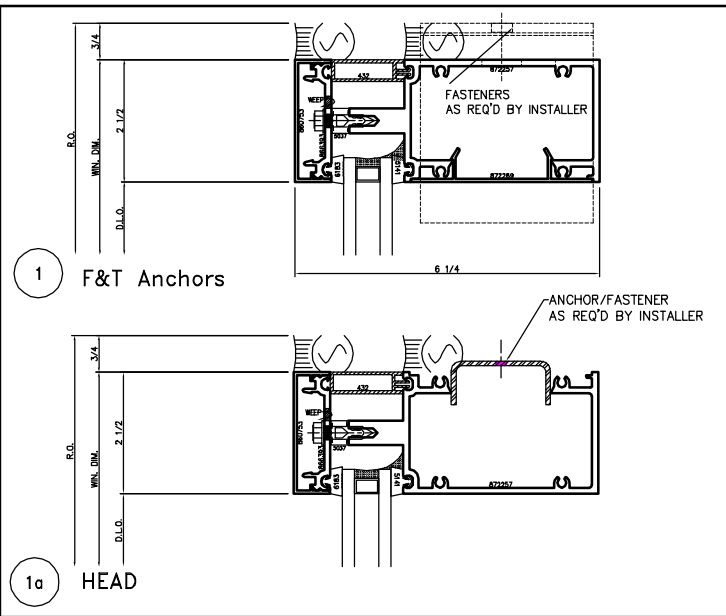


7800 International Drive  
P.O. Box 1746  
Wausau, WI 54402-1746

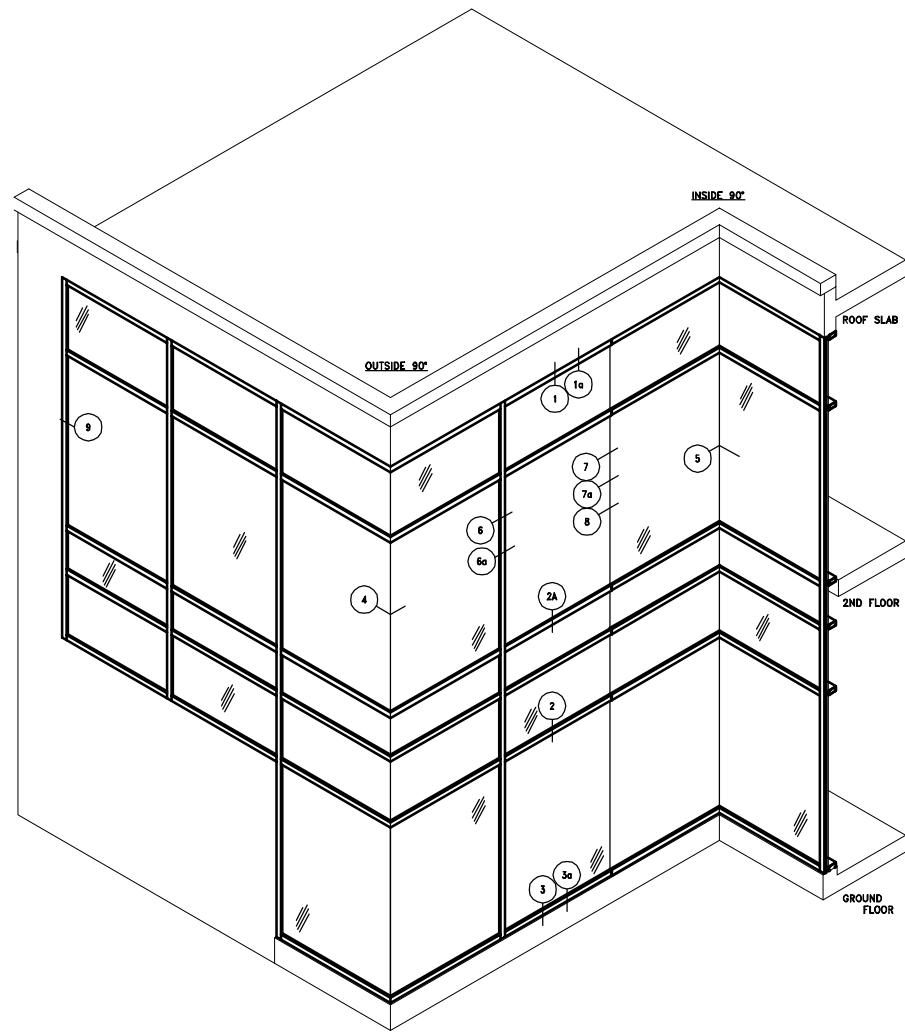
Phone: (715) 845-2161  
Fax: (715) 843-4350  
www.wausauwindow.com

SERIES:  
2 1/2" STOCK LENGTH  
SUPERWALL (6 1/4" DEEP)

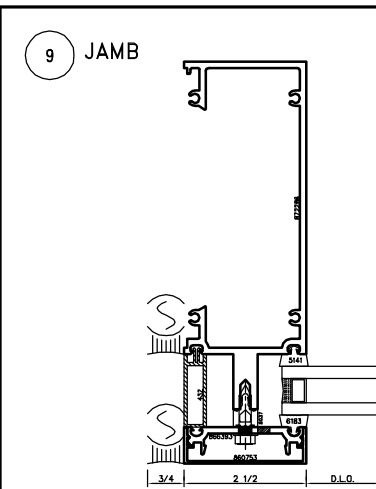
LAST UPDATED: 06/25/12



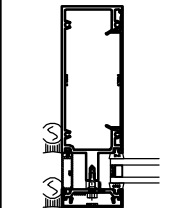
INTERMEDIATE VERTICALS



REFERENCE ELEVATION



Alternative Die Offering



NOTES:

1. FRAME CONSTRUCTION
  - A. JAMBS RUN THROUGH. HORIZONTALS ARE SQUARE CUT & FASTENED.
2. AIR & WATER INFILTRATION
  - A. 0.06 CFM/SQ FT @ 6.24 PSF
  - B. UP TO 15 PSF WATER

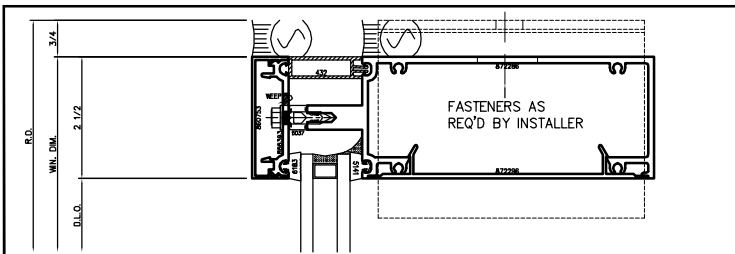
**ADVANTAGE**  
BY WAUSAU

7800 International Drive  
P.O. Box 1746  
Wausau, WI 54402-1746

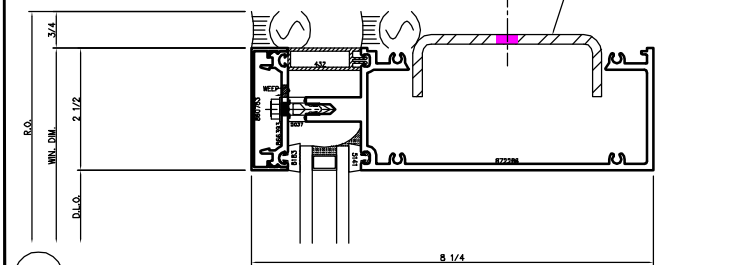
Phone: (715) 845-2161  
Fax: (715) 843-4350  
www.wausauwindow.com

SERIES:  
**2 1/2" STOCK LENGTH  
SUPERWALL (8 1/4" DEEP)**

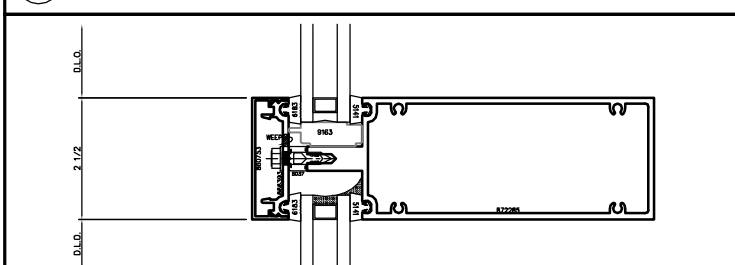
LAST UPDATED: 06/25/12



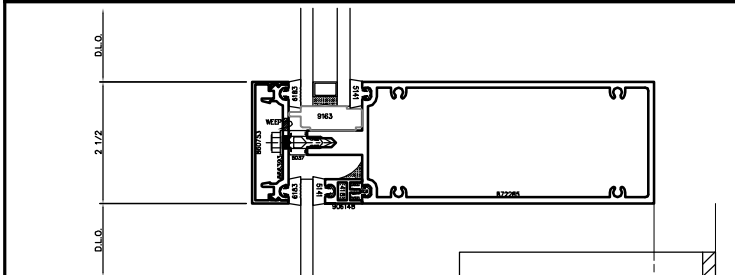
1 F&T Anchors



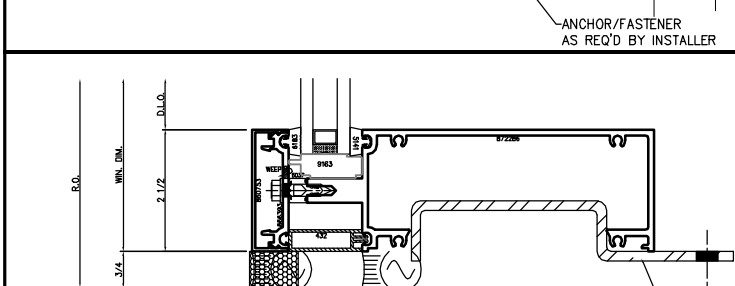
1a HEAD



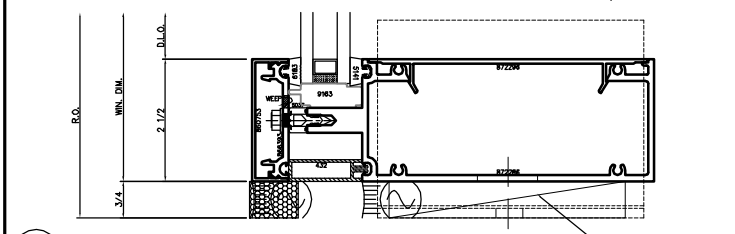
2 INTERMEDIATE HORIZONTAL



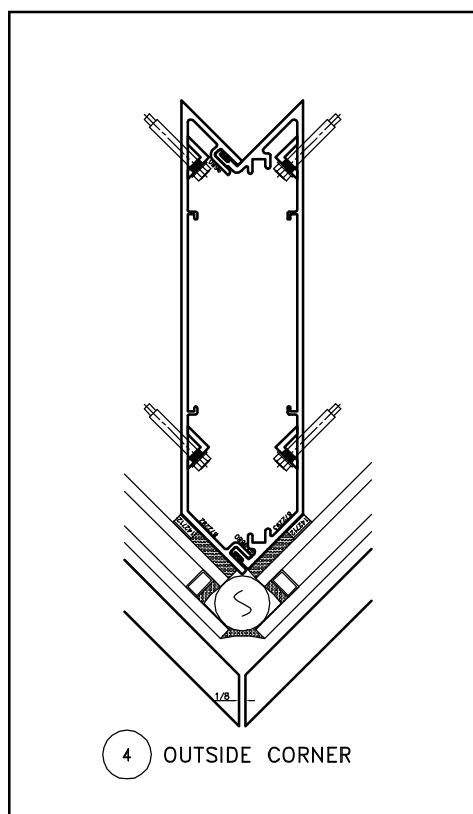
2A HORIZONTAL W/ANCHOR



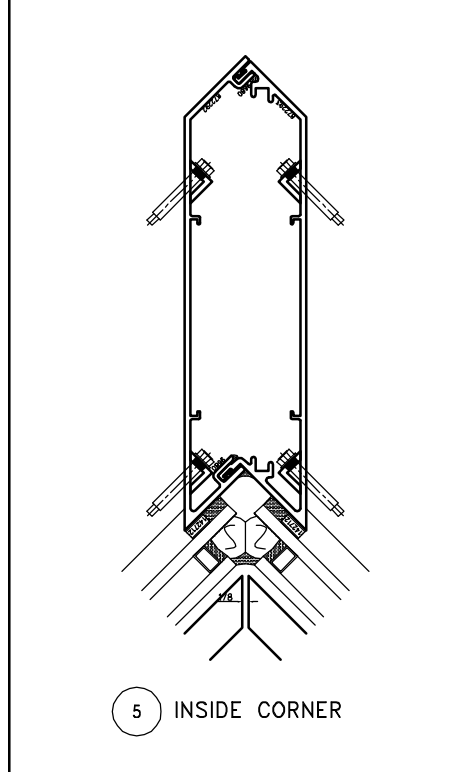
3 SILL



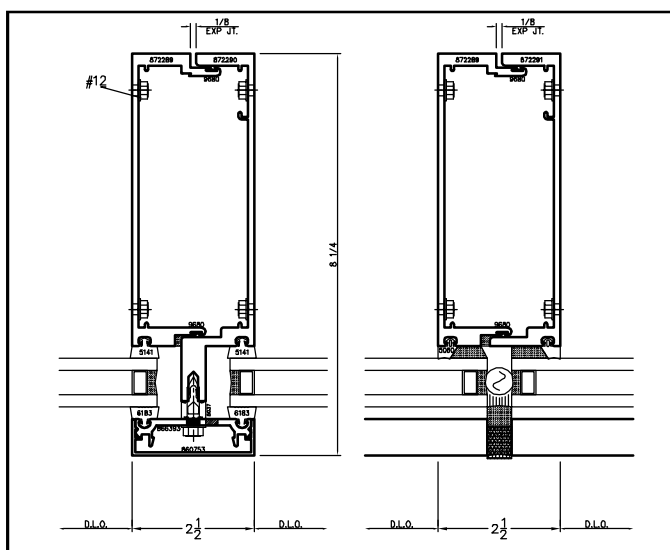
3a F&T Anchors



4 OUTSIDE CORNER

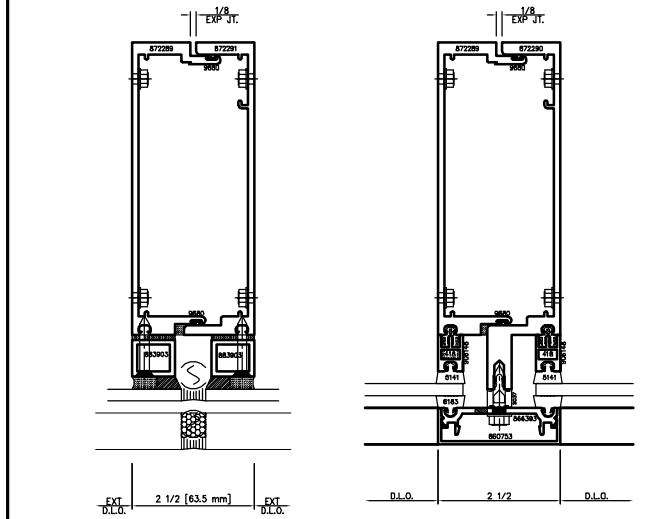


5 INSIDE CORNER



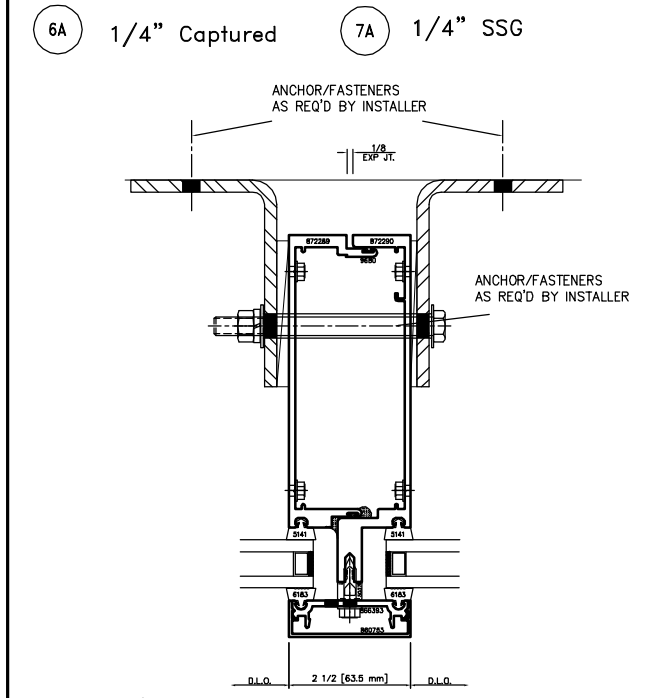
6 1" Captured

7 1" SSG



6A 1/4" Captured

7A 1/4" SSG



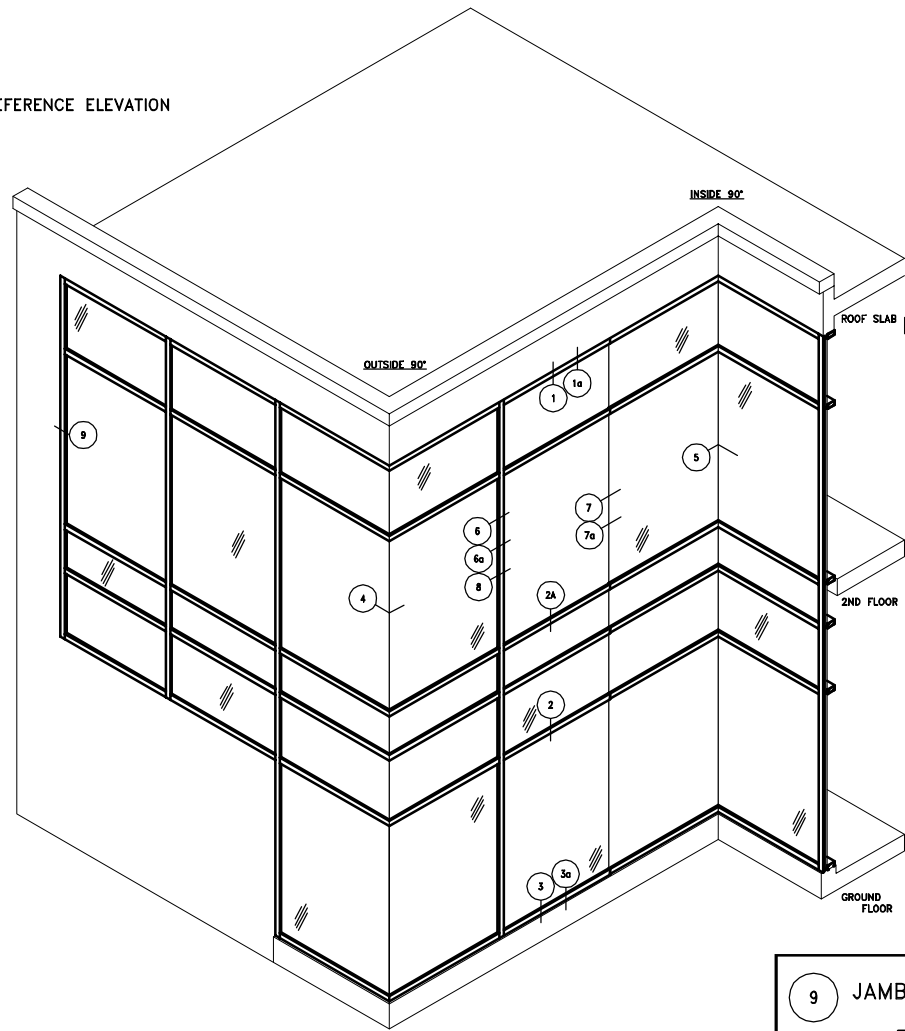
8 1" Captured with typical Anchors

INTERMEDIATE VERTICALS





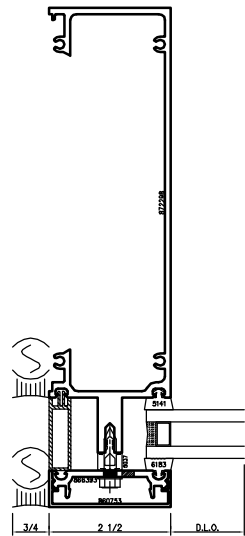
REFERENCE ELEVATION



NOTES:

1. FRAME CONSTRUCTION
  - A. JAMBS RUN THROUGH. HORIZONTALS ARE SQUARE CUT & FASTENED.
2. AIR & WATER INFILTRATION
  - A. 0.06 CFM/SQ FT @ 6.24 PSF
  - B. UP TO 15 PSF WATER

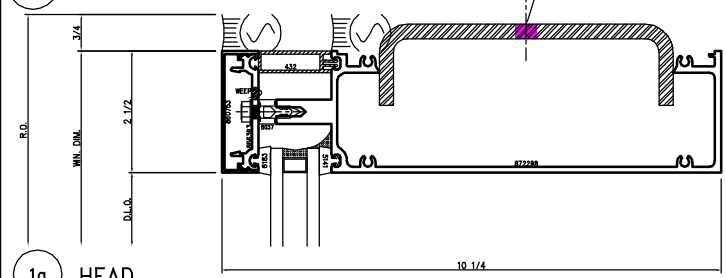
9 JAMB



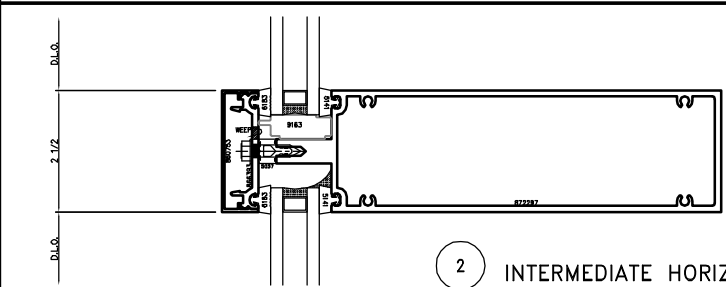
Alternative Die Offering



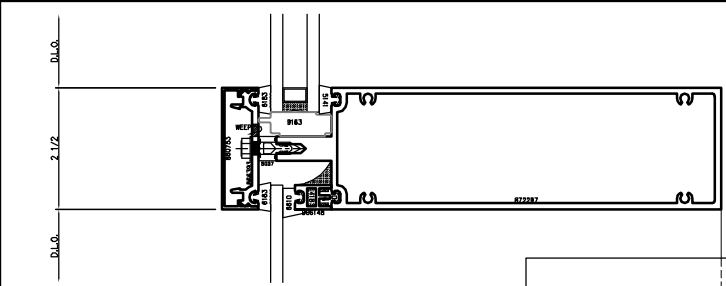
1 F&T Anchors



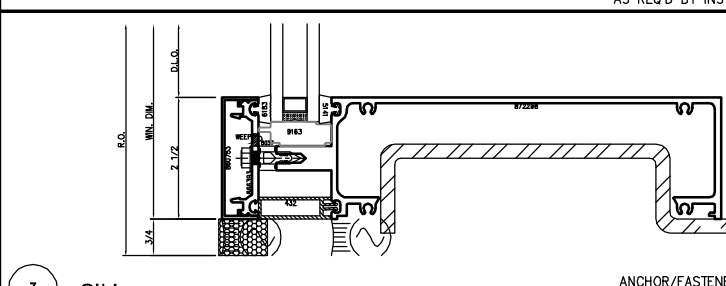
1a HEAD



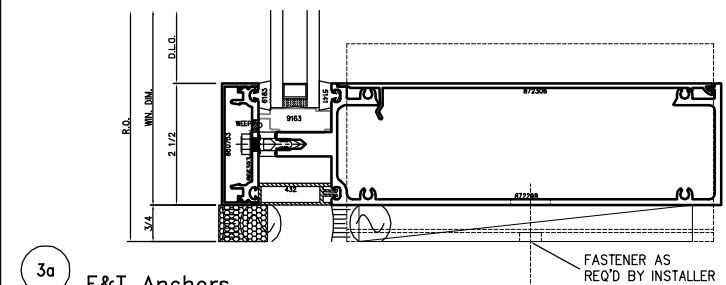
2 INTERMEDIATE HORIZONTAL



2A HORIZONTAL W/ANCHOR

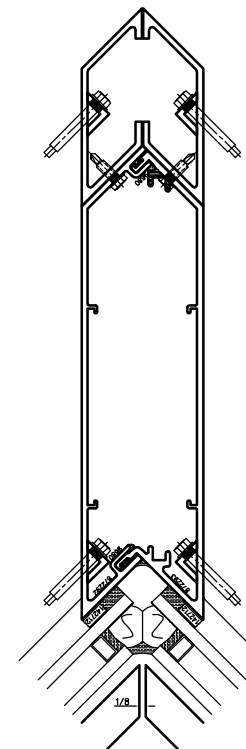


3 SILL



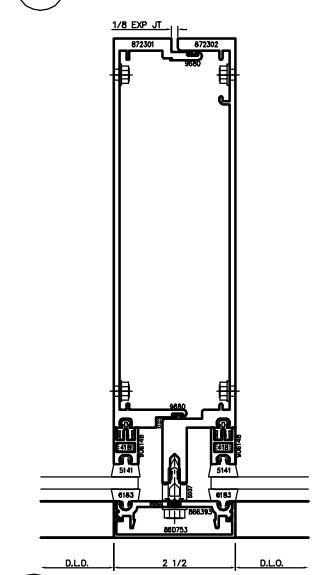
3a F&T Anchors

4 OUTSIDE CORNER



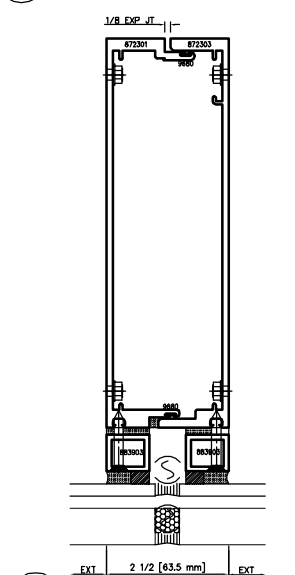
5 INSIDE CORNER

6 1" Captured

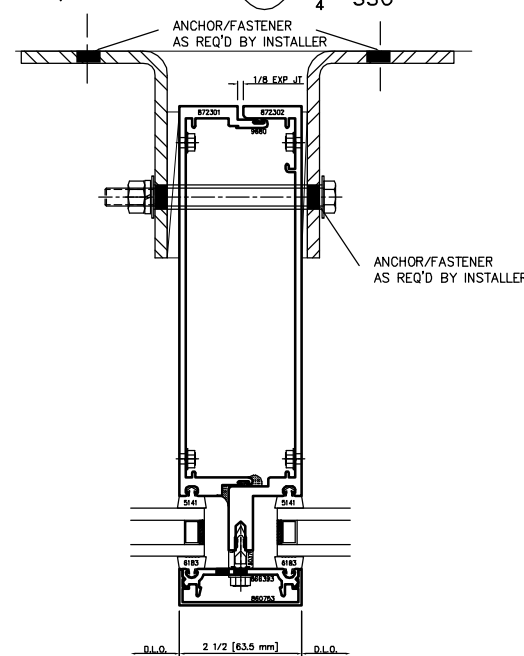


6A 1/4" Captured

7 1" SSG



7A 1/4" SSG



8 1" Captured with typical Anchors

INTERMEDIATE VERTICALS

**ADVANTAGE**  
by WAUSAU

7800 International Drive  
P.O. Box 1746  
Wausau, WI 54402-1746

Phone: (715) 845-2161  
Fax: (715) 843-4350  
www.wausauwindow.com

SERIES:  
2 1/2" STOCK LENGTH  
SUPERWALL (10 1/4" DEEP)

LAST UPDATED: 06/25/12