

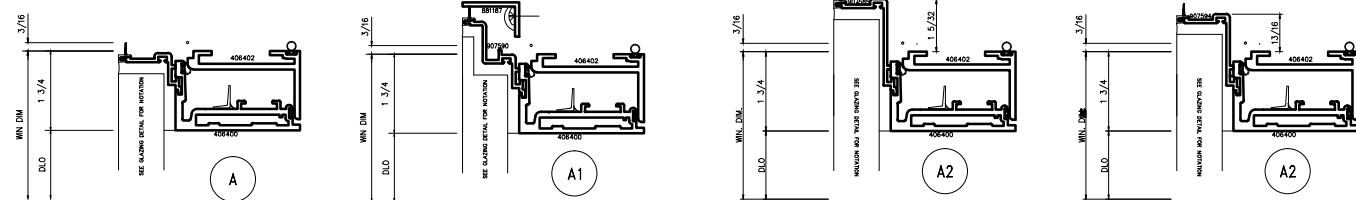
PO: PROJECT-OUT

REFERENCE ELEVATIONS

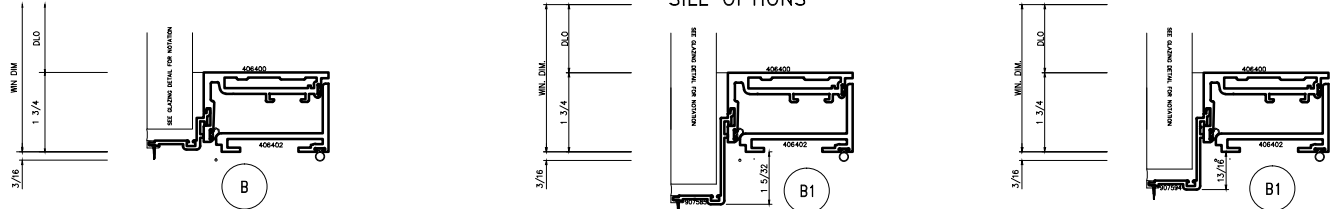
NOTES:

1. SIZE LIMITATIONS
  - A. OPERABLE LITES: CASEMENT VENT MAX. 36" w X 60" h. (MAX WEIGHT 115)
  - B. OPERABLE LITES: AWNING VENT MAX. 60" w X 84" h. (MAX WEIGHT 300)
2. SASH & FRAME CONSTRUCTION
  - A. MITERED, CORNER BLOCKED, AND CRIMPED.
3. HARDWARE
  - A. HINGES: S.S. 4-BAR HINGE, ONLY
  - B. LOCKS: MULTI-LOCK, ONLY
4. AIR & WATER INFILTRATION
  - A. .10 cfm/sq ft @ 6.24 psf
  - B. 15 psf

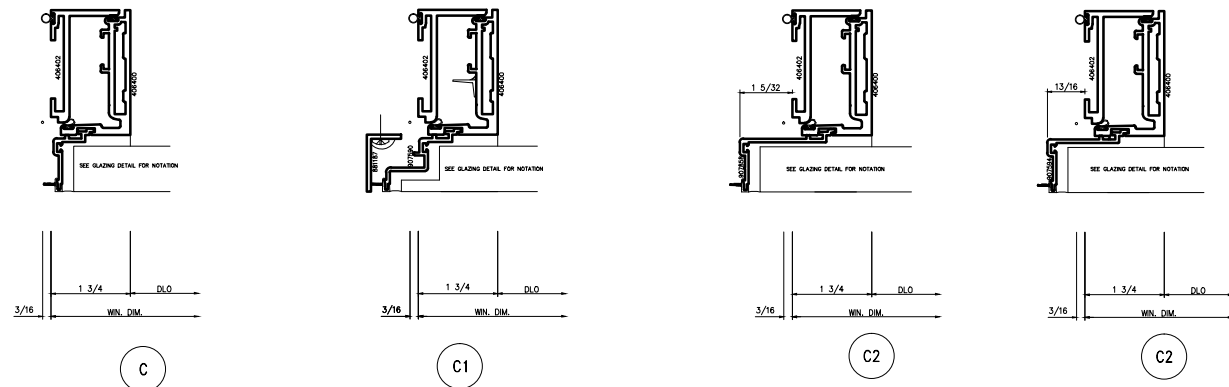
HEAD OPTIONS



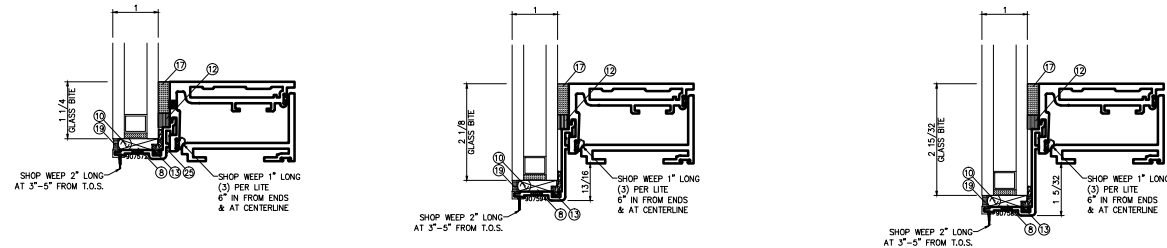
SILL OPTIONS



JAMB OPTIONS



GLAZING DETAILS



1" INFILL GLAZING

- |                              |                                       |
|------------------------------|---------------------------------------|
| ⑧ SETTING BLOCK              | BLK, SETTING, 25 X .875 X 4.0         |
| ⑩ BACKER ROD                 | KB, BACKER ROD, SOFT ROD, .375 DI     |
| ⑫ INTERIOR TAPE              | KB, TAPE, TREMCO, .312 X .312, GT-922 |
| ⑬ INTERIOR GASKET            | SPACER, SILICONE, 4250ZSL             |
| ⑰ STRUCTURAL GLAZING SEALANT | SLNT, DOW 983, BASE, 1885821 250      |
| ⑲ WEATHERSEAL                | KBP1, SLNT, DOW 791, BLACK            |
| ⑳ GLAZING SEALANT            | KBP1, SLNT, DOW 791, BLACK            |

NOTE: SPECIAL GLASS REQUIREMENT @ STRUCTURAL GLAZING "DUAL SEALED INSULATED GLASS UNIT WITH SECONDARY SEAL OF SILICONE"

ARCH'T - OWNER NOTE:  
READ THROUGH OF GLAZING COMPONENTS WILL BE EVIDENT IN THIS SERIES WHEN GLAZED WITH CLEAR OR LIGHTLY TINTED GLASS.



SERIES:  
4250 ZERO SIGHTLINE  
(4 1/4" DEEP)

7800 International Drive  
P.O. Box 1746  
Wausau, WI 54402-1746

Phone: (715) 845-2161  
Fax: (715) 845-4350  
www.wausauidow.com

LAST UPDATED: 4/3/19