

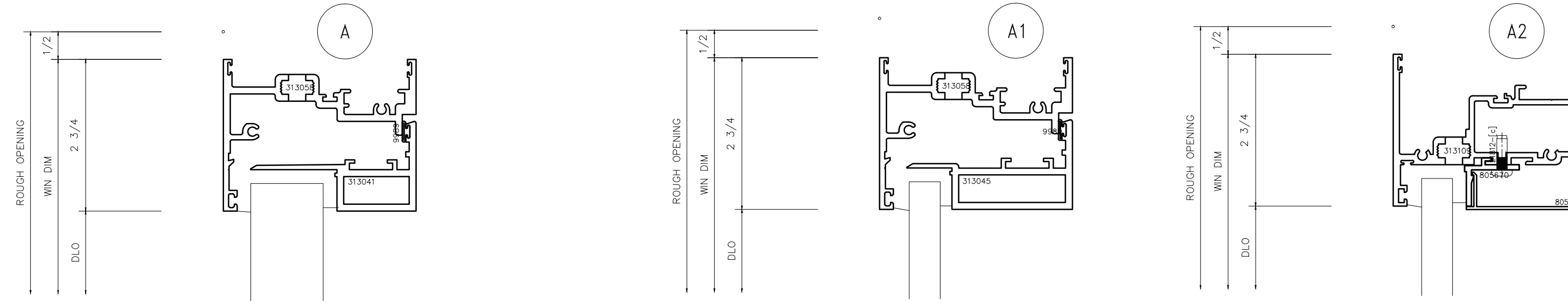
PI: PROJECT IN REFERENCE ELEVATIONS

- NOTES:
- SIZE LIMITATIONS
    - OPERABLE LITES: CASEMENT VENT 48" w X 72" h.
    - FIXED LITES: SIZE CAN VARY BASED ON SQUARE FOOTAGE.
  - DESIGN INFORMATION
    - DESIGN PRESSURE
      - LARGE MISSILE: +80 psf -90 psf
      - SMALL MISSILE +100 psf -120 psf
  - AIR & WATER INFILTRATION
    - .1 cfm/sqft @ 6.24 psf (vents)
    - .06 cfm/sqft @ 6.24 psf (fixed)
    - 15 psf
  - FRAME CONSTRUCTION
    - JAMBS RUN THROUGH.
  - SASH CONSTRUCTION
    - MITERED, CORNER BLOCKED, AND CRIMPED.
  - HARDWARE
    - THIS SYSTEM IS ONLY AVAILABLE WITH MULTI-LOCK AND BUTT HINGES @ CASEMENT
    - ARCHITECT PROVIDE DIMENSION FROM FINISH FLOOR TO CENTER OF MULTI-LOCK HANDLE

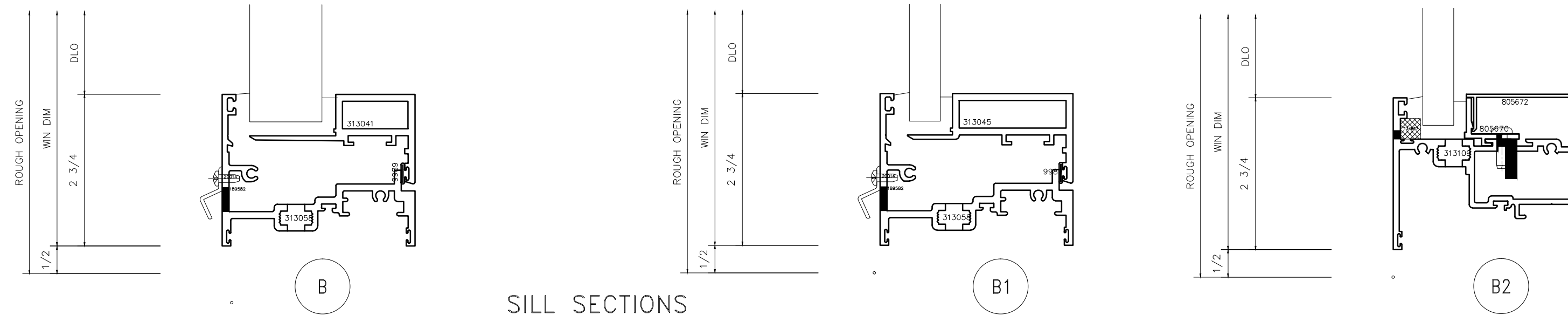


SERIES:  
3250HP CASEMENTS & FIXED  
(3 1/2" DEEP)  
LAST UPDATED: 5/17/07

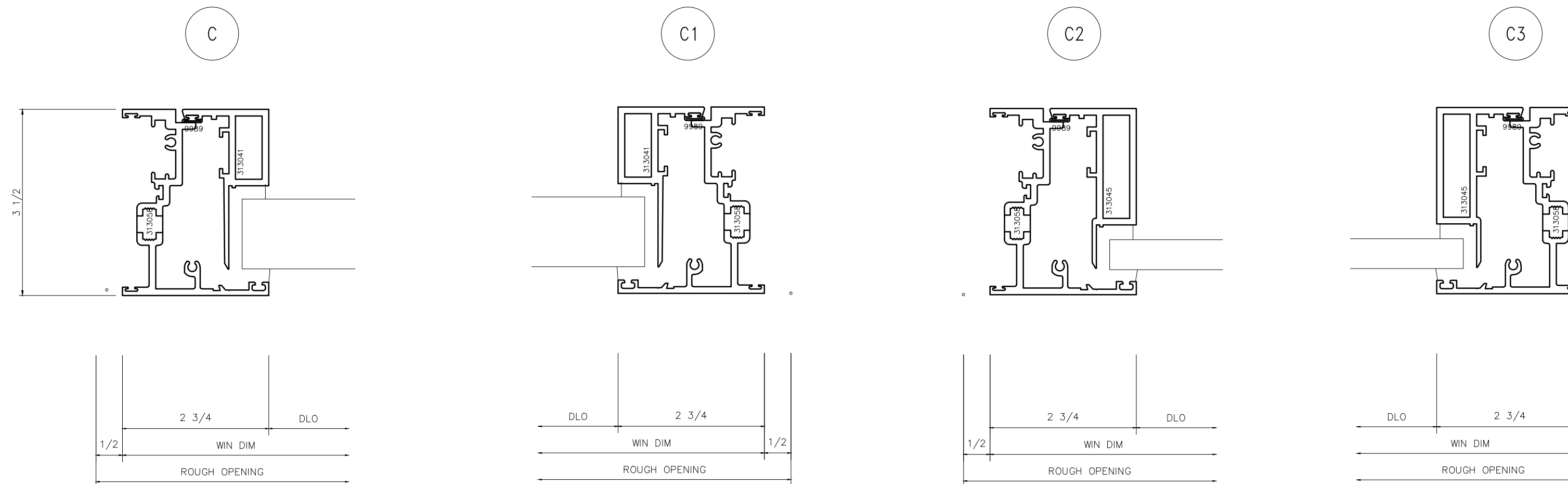
7800 International Drive  
P.O. Box 1746  
Wausau, WI 54402-1746  
Phone: (715) 845-2161  
Fax: (715) 843-4350  
www.wausauwindow.com



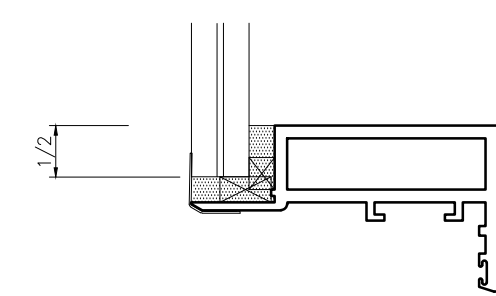
HEAD SECTIONS



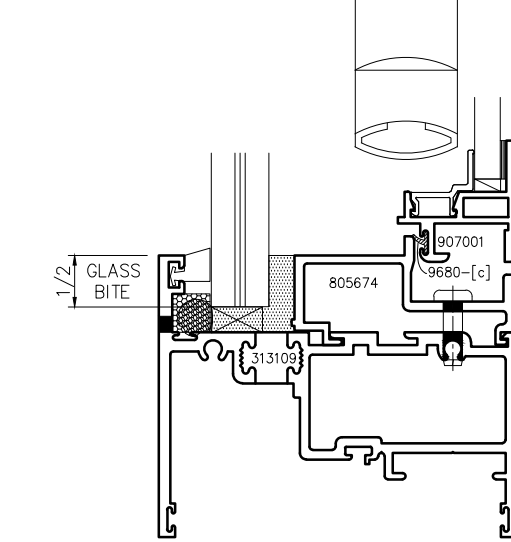
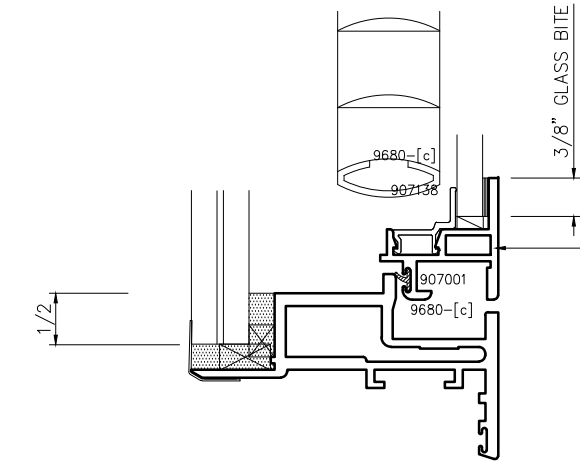
SILL SECTIONS



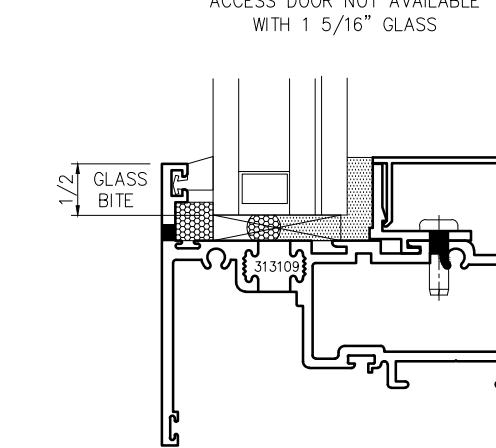
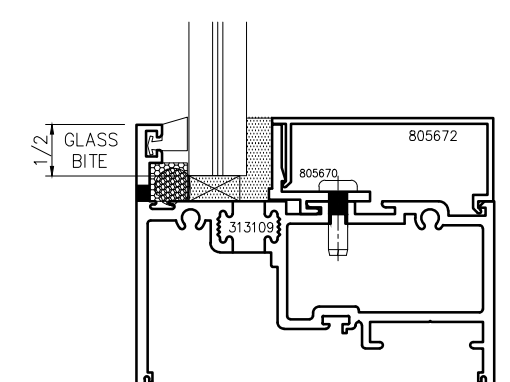
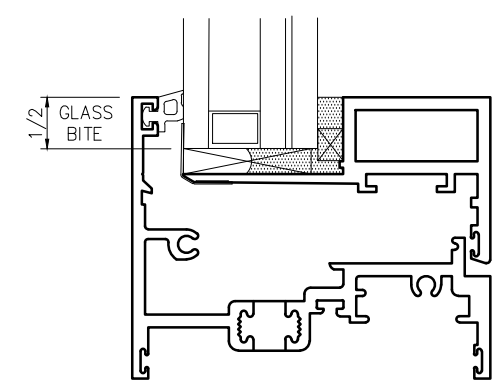
JAMB SECTIONS



LARGE OR SMALL MISSILE GLAZING METHOD

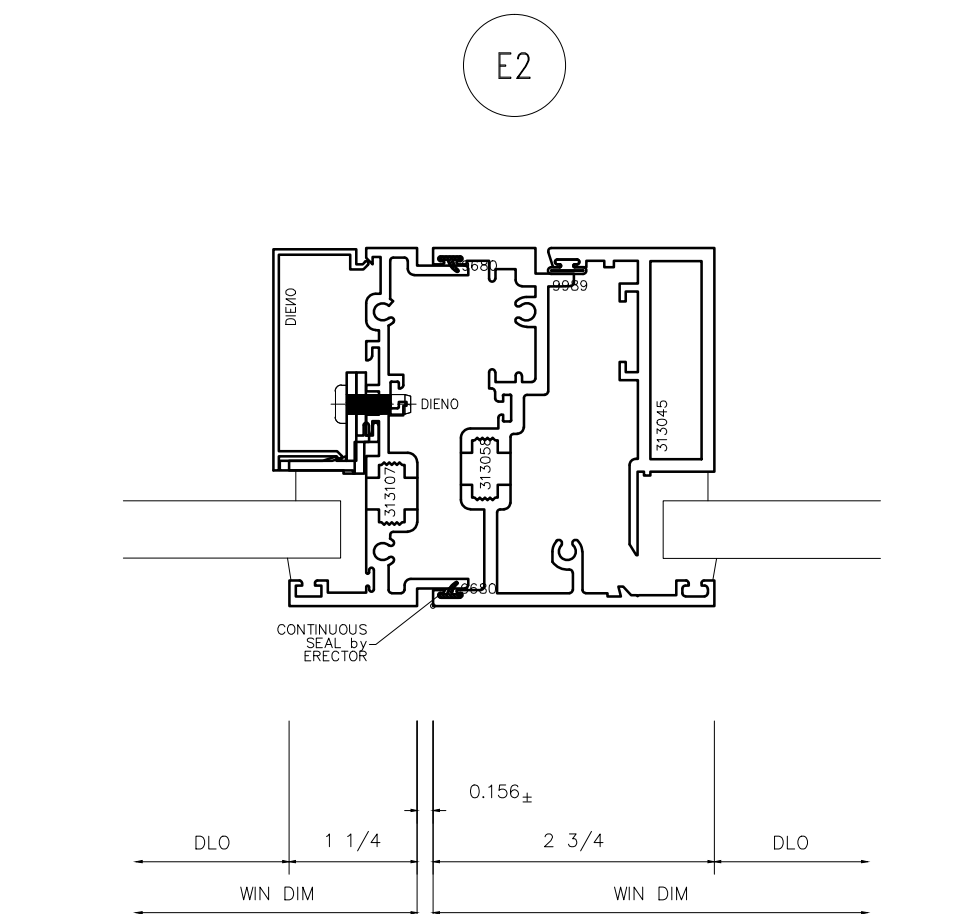
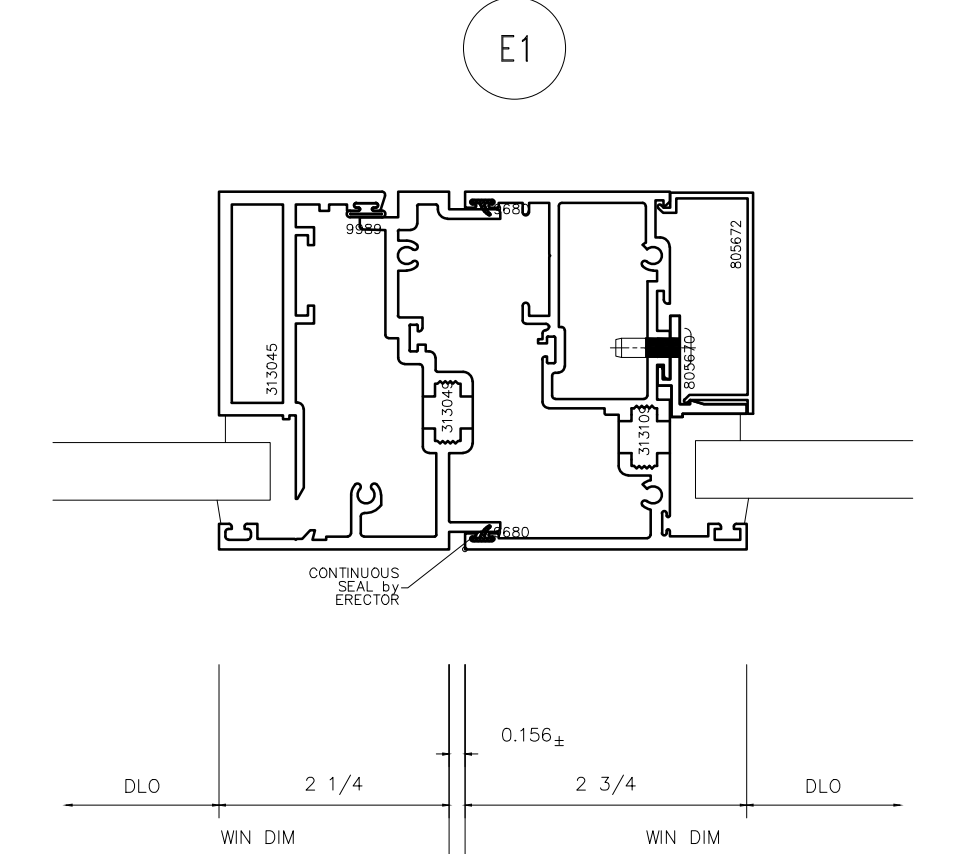
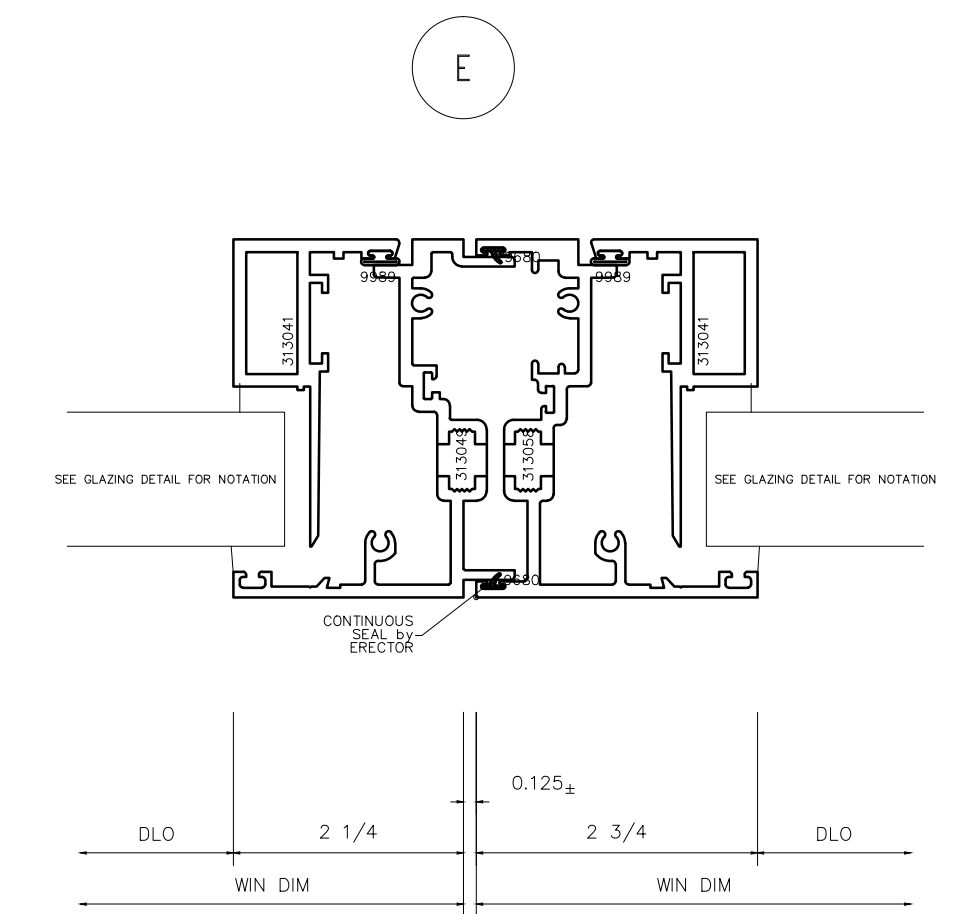


ACCESS DOOR AVAILABLE WITH OR WITHOUT BLINDS



ACCESS DOOR NOT AVAILABLE WITH 1 5/16" GLASS

GLAZING DETAILS



INTERMEDIATE VERTICAL SECTIONS