

REFERENCE ELEVATIONS

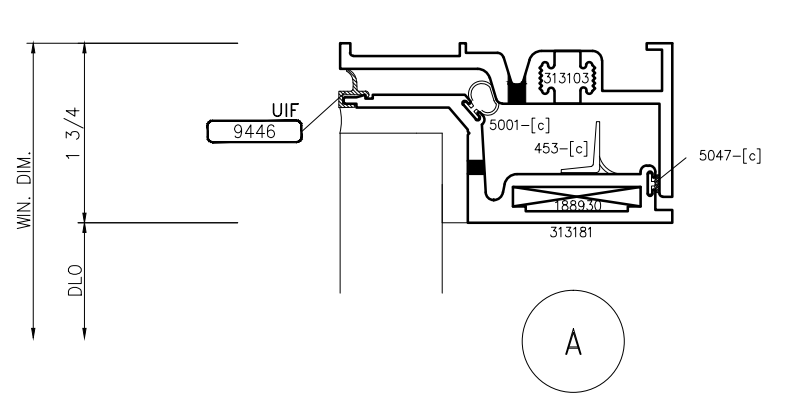
PO: PROJECT-OUT

NOTES:

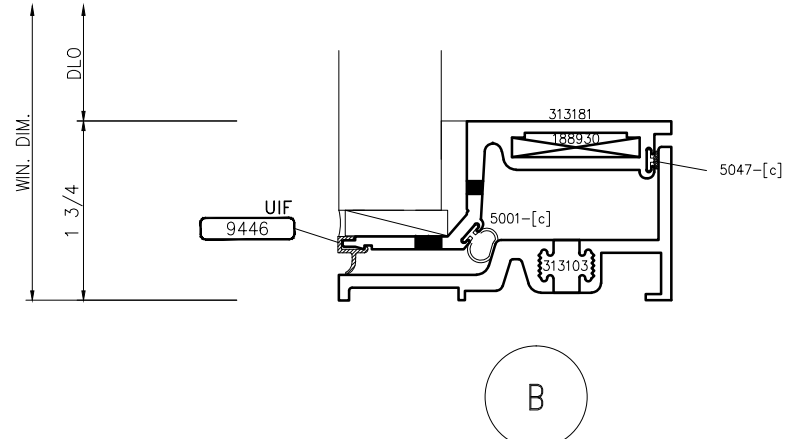
1. SIZE LIMITATIONS
  - A. OPERABLE LITES: CASEMENT VENT MAX. 36" w X 60" h.
  - B. OPERABLE LITES: AWNING VENT MAX. 60" w X 36" h.
2. SASH & FRAME CONSTRUCTION
  - A. MITERED, WELDED, CORNER BLOCKED, AND CRIMPED.
3. HARDWARE
  - A. HINGES: S.S. 4-BAR HINGE, BUTT HINGE
  - B. LOCKS: CAMS, CONCEALED, KEEPERS.
  - C. NOTE: CONCEALED LOCKS CAN NOT BE USED @ SILL.
4. AIR & WATER INFILTRATION
  - A. .10 cfm/sq ft @ 6.24 psf
  - B. 15 psf

NOTE:  
THE SAME FRAME PROFILE MUST BE USED AT THE HEAD, SILL, AND JAMB

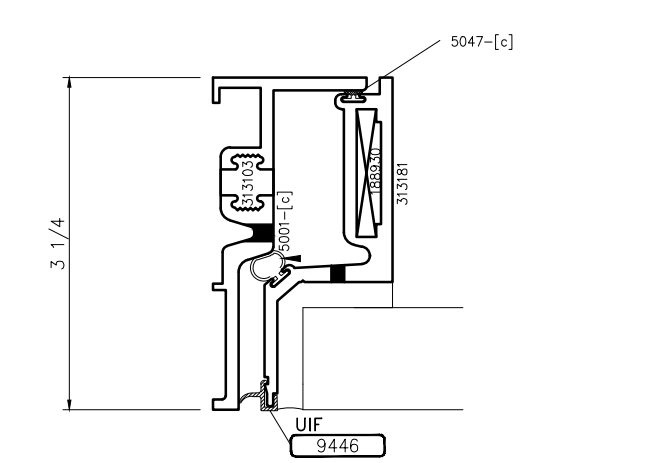
3250Z FB (FRAME OPTION)



HEAD SECTION

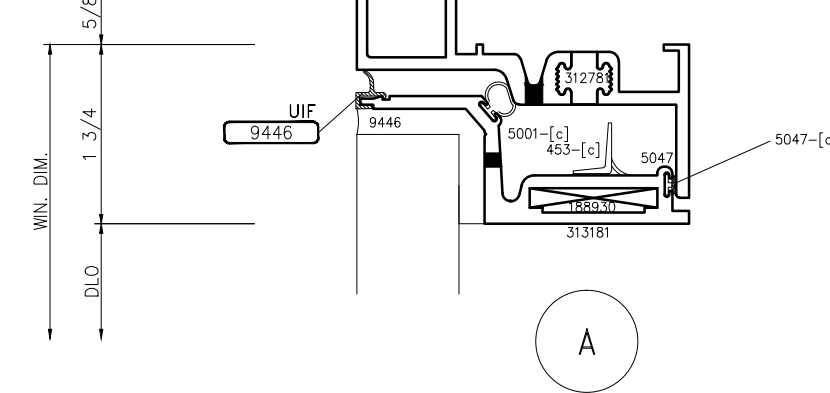


SILL SECTION

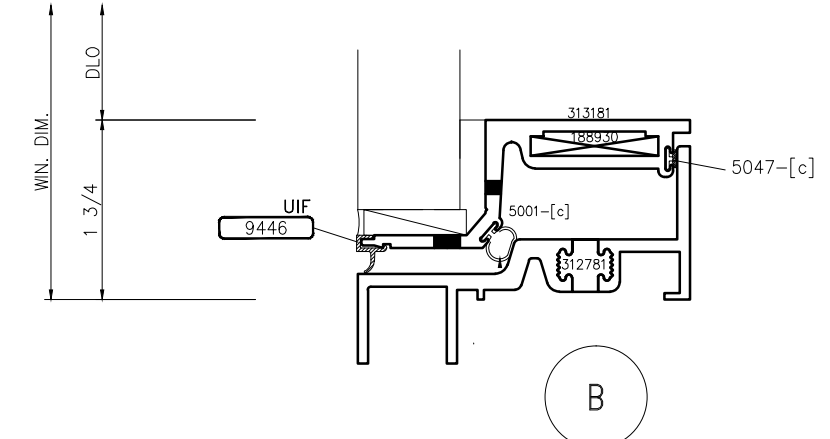


JAMB SECTION

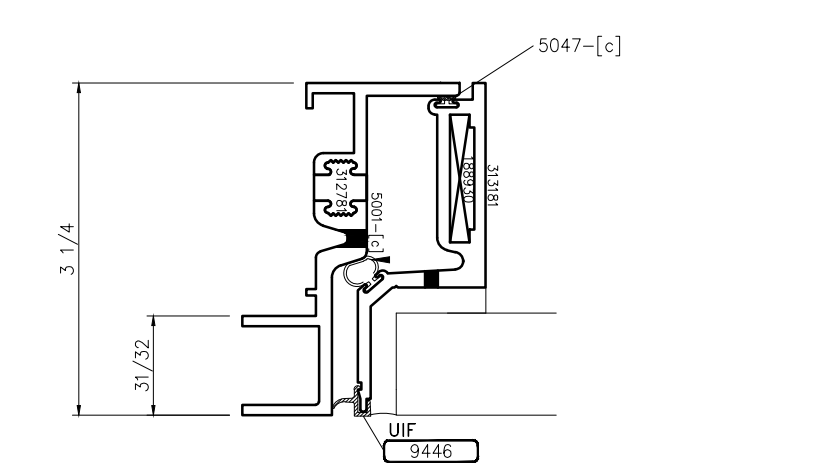
3250Z GI (FRAME OPTION)



HEAD SECTION

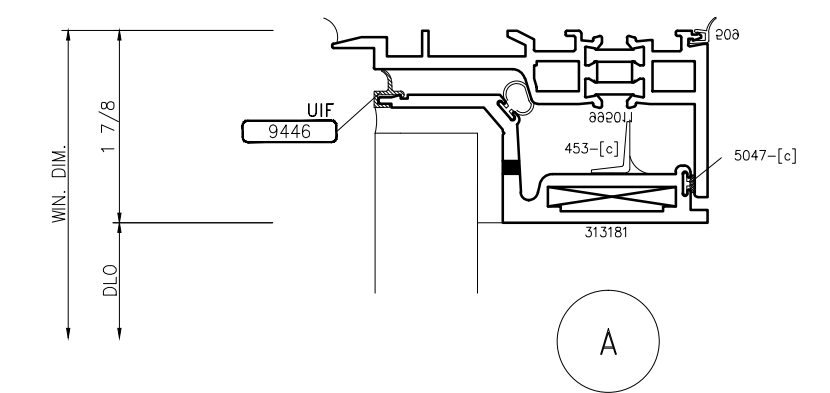


SILL SECTION

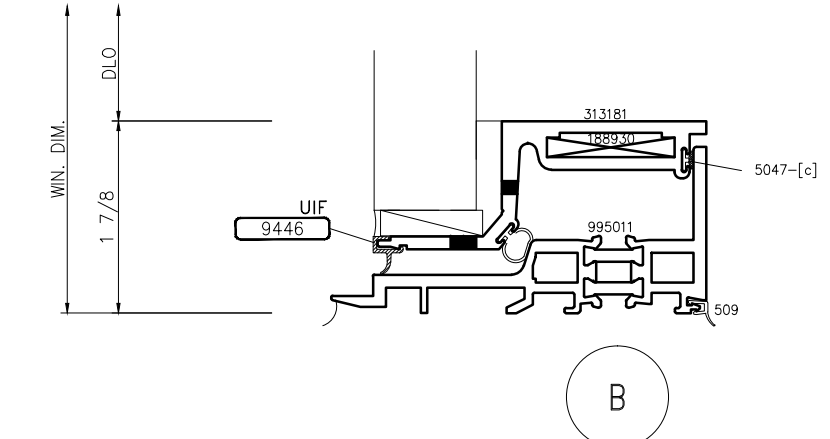


JAMB SECTION

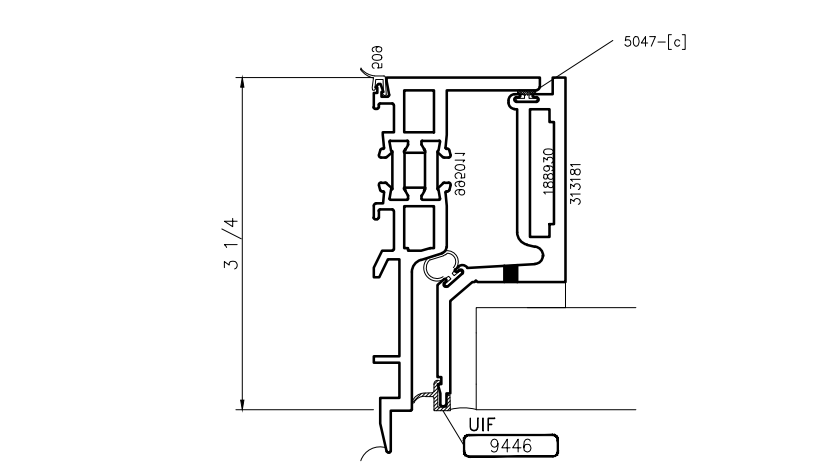
3250Z IB (FRAME OPTION)



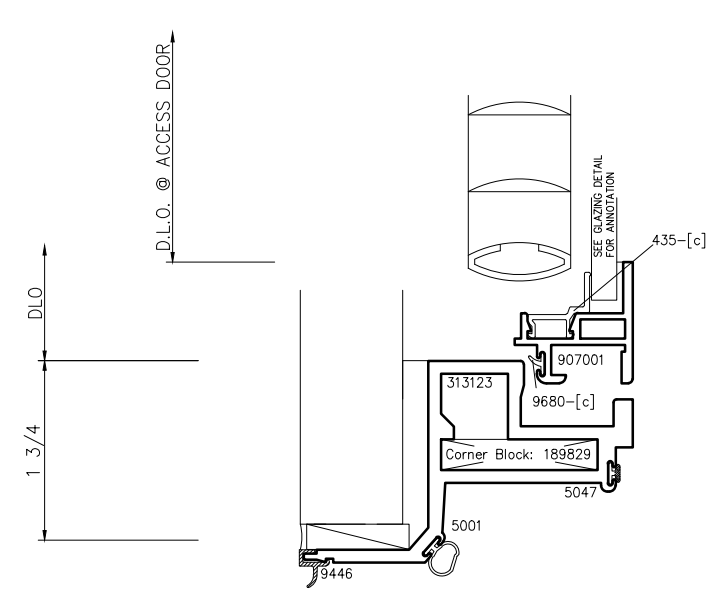
HEAD SECTION



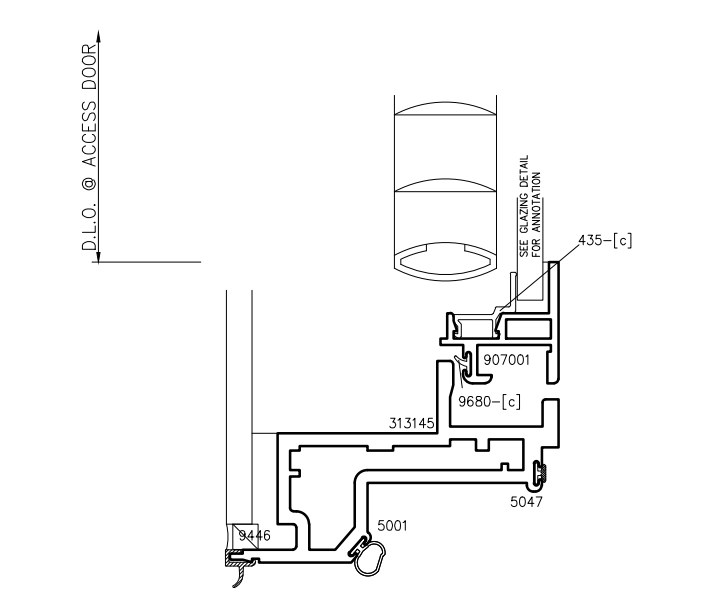
SILL SECTION



JAMB SECTION

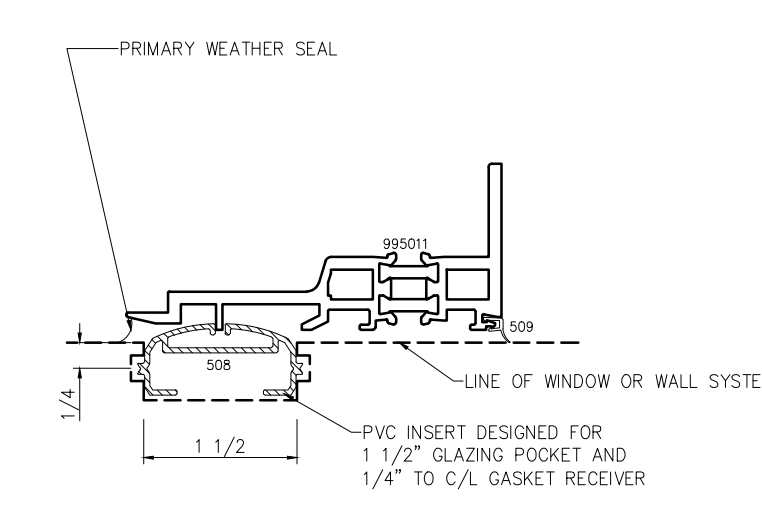


1" GLASS WITH BLINDS



1/4" GLASS WITH BLINDS

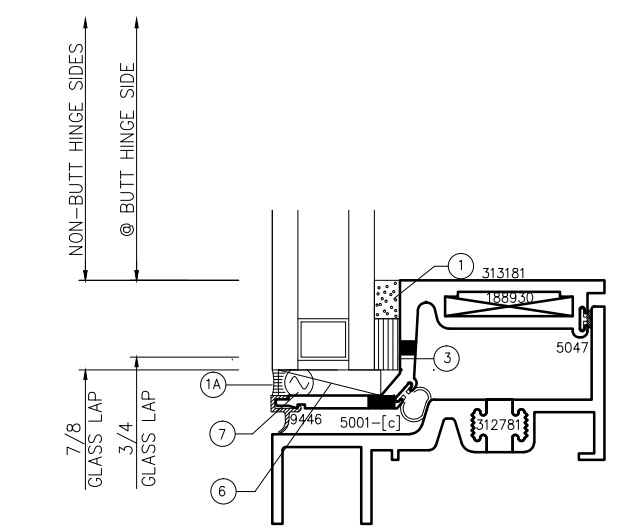
SASH OPTIONS



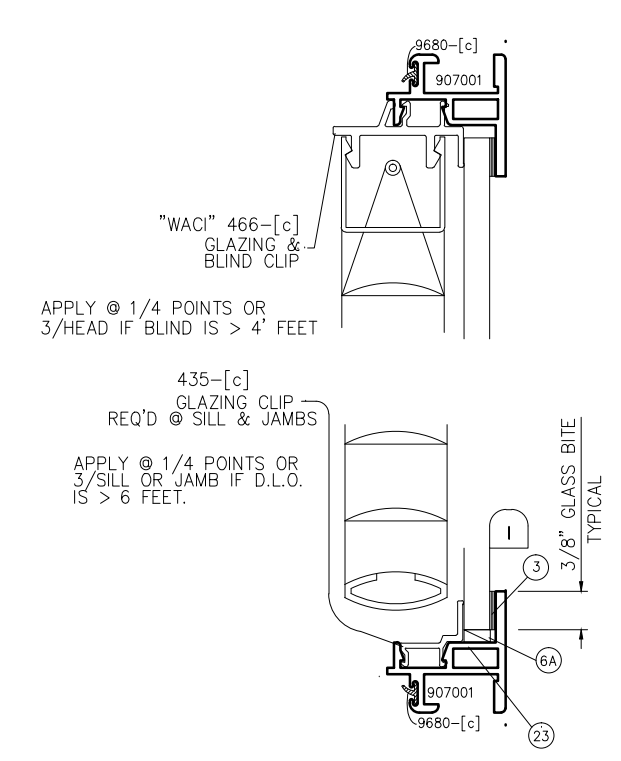
INSTALLATION OPTION

NOTE: SPECIAL GLASS REQUIREMENT @ STRUCTURAL GLAZING "DUAL SEALED INSULATED GLASS UNIT WITH SECONDARY SEAL OF SILICONE"

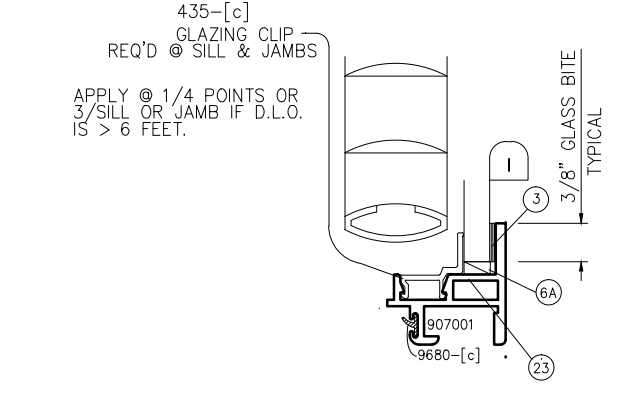
ARCH'T - OWNER NOTE:  
READ THROUGH OF GLAZING COMPONENTS WILL BE EVIDENT IN THIS SERIES WHEN GLAZED WITH CLEAR OR LIGHTLY TINTED GLASS.



- GLASS, GLAZING AND GLAZING MATERIALS BY WAUSAU WINDOW AND WALL SYSTEMS
- GE SSG 4400 UltraGlaze Structural Silicone - 3/8" MIN. DEPTH (DEPTH DETERMINED BY WIND LOAD)
- GE SSG 4400 UltraGlaze Structural Silicone - WEATHERSEAL (c)
- TREMCO GT-922 GLAZING TAPE 1/4" x AS REQ'D (TAPE DEPTH WILL VARY IF STRUCTURAL SEALANT DEPTH CHANGES PER WIND LOAD REQUIREMENTS) (c)
- BACKER ROD (#36099) (c)
- SETTING BLOCK 1/4 x AS REQ'D x 4 (c)



"WACO" 466-GLAZING & BLIND CLIP  
APPLY @ 1/4 POINTS OR 3/4 HEAD IF BLIND IS > 4 FEET



435-GLAZING CLIP  
REQ'D @ SILL & JAMBS  
APPLY @ 1/4 POINTS OR 3/4 SILL OR JAMB IF D.L.O. IS > 6 FEET

GLASS, GLAZING & GLAZING MATERIALS BY WAUSAU WINDOW AND WALL SYSTEMS

- 140348 .060 X .375 TREMCO 920 TAPE [CONSUMABLE]
- 132209 NEOPRENE SETTING BLOCK 1/8" X 1/4" X 2" LONG [CONSUMABLE]
- IF ACCESS DOOR SIZE IS > 15 FT<sup>2</sup> APPLY A STRUCTURAL SILICONE ICE BEAD 6-8" IN BOTH DIRECTIONS FROM EACH CORNER [CONSUMABLE]

GLAZING DETAILS