

NOTES:

- SIZE LIMITATIONS
 - OPERABLE LITES: MAXIMUM CASEMENT 36" w X 60" h.
 - OPERABLE LITES: MAXIMUM AWNINGS & HOPPERS 60" w X 36" h.
 - FIXED LITES: MAXIMUM 60" w X 84" h.
- HARDWARE INFORMATION
 - S.S. 4-BAR HINGE, BUTT HINGE, CAMS, KEEPERS, CONCEALED LOCKS, ROTO'S, LIMIT STOPS.
 - 5/8" OR 1" BLINDS INSTALLED BY WAUSAU,
- AIR & WATER INFILTRATION
 - .1 cmf/ft @ 6.24 psf
 - 12 psf
- FRAME CONSTRUCTION
 - JAMBS RUN THROUGH.
- SASH CONSTRUCTION
 - MITERED, CORNER BLOCKED, AND CRIMPED.
- OPTIONAL: ACCESS DOORS AND SCREENS

ADVANTAGE
BY WAUSAU

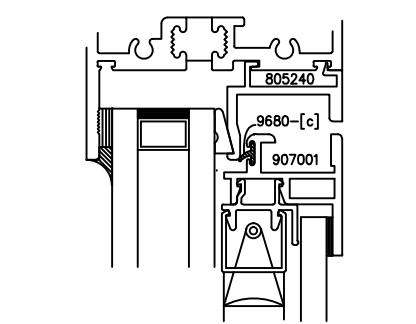
1415 West Street
P.O. Box 1746
Wausau, WI 54402-1746

Phone: (715) 845-2161
Fax: (715) 843-4350
www.wausauwindow.com

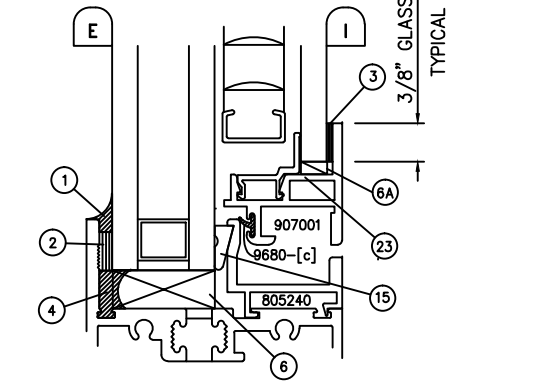
SERIES:
2250 WALL INSERTS (2 1/2" DEEP)

LAST UPDATED: 4/11/06

TRIPLE GLAZED W/5/8" BLINDS



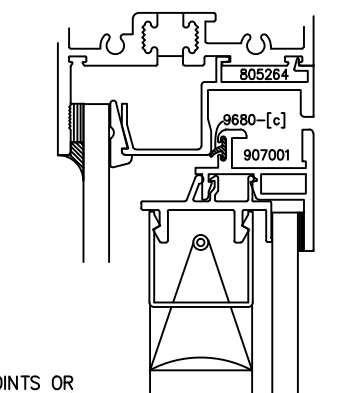
APPLY @ 1/4 POINTS OR 3/HEAD IF BLIND IS > 4' FEET
APPLY @ 1/4 POINTS OR 3/SILL OR LAMB IF D.L.O. IS > 6 FEET.



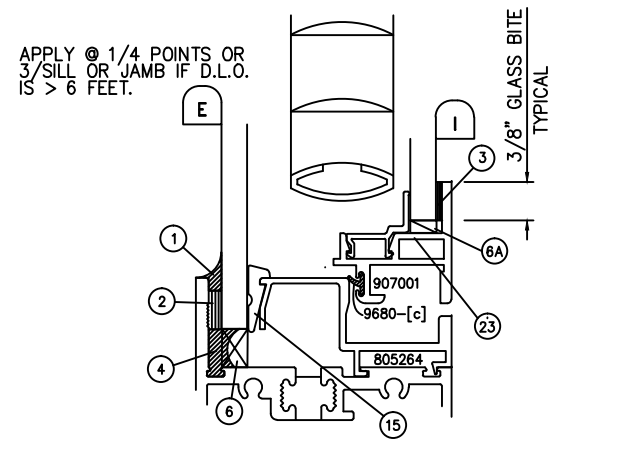
- GLASS, GLAZING & GLAZING MATERIALS BY WAUSAU WINDOW AND WALL SYSTEMS
BAAN# 187061
- EXTERIOR GLAZING**
- ① SILICONE CAP BEAD (CONSUMABLE)
 - ② TAPE POLYSHIM II, 150 X .250 (#142748) (CONSUMABLE)
 - ③ TOE BEAD 6 TO 8 INCHES BOTH DIRECTIONS (ALL 4 CORNERS) (CONSUMABLE)
 - ④ SETTING BLOCK 3/8 X 1 X 4 LG. #133265 (CONSUMABLE)
 - ⑤ DRIVE-IN GLAZING WEDGE (# 5218) (CONSUMABLE)
- BAAN# 187061
- INTERIOR GLAZING**
- ⑥ 140348 .060 X .375 TREMCO 920 TAPE (CONSUMABLE)
 - ⑦ 132209 NEOPRENE SETTING BLOCK 1/8" X 1/4" X 2" LONG (CONSUMABLE)
 - ⑧ IF ACCESS DOOR SIZE IS > 15 FT² APPLY A STRUCTURAL SILICONE TOE BEAD 6-8" IN BOTH DIRECTIONS FROM EACH CORNER (CONSUMABLE)

BLINDS MAY REQUIRE HEAT STRENGTHENED GLASS

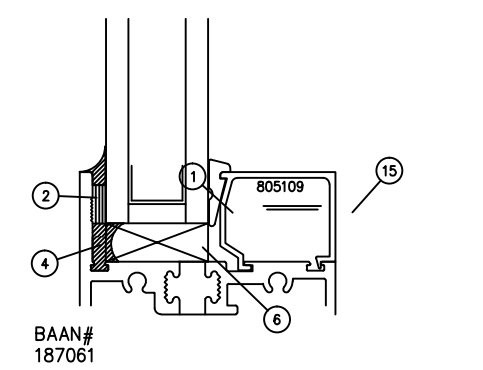
DUAL GLAZED W/1" BLINDS



APPLY @ 1/4 POINTS OR 3/HEAD IF BLIND IS > 4' FEET



- GLASS, GLAZING & GLAZING MATERIALS BY WAUSAU WINDOW AND WALL SYSTEMS
BAAN# 187061
- EXTERIOR GLAZING**
- ① SILICONE CAP BEAD (CONSUMABLE)
 - ② TAPE POLYSHIM II, 150 X .250 (#142748) (CONSUMABLE)
 - ③ TOE BEAD 6 TO 8 INCHES BOTH DIRECTIONS (ALL 4 CORNERS) (CONSUMABLE)
 - ④ SETTING BLOCK 3/8 X 1 X 4 LG. #133265 (CONSUMABLE)
 - ⑤ DRIVE-IN GLAZING WEDGE (# 5218) (CONSUMABLE)
- BAAN# 187061
- INTERIOR GLAZING**
- ⑥ 140348 .060 X .375 TREMCO 920 TAPE (CONSUMABLE)
 - ⑦ 132209 NEOPRENE SETTING BLOCK 1/8" X 1/4" X 2" LONG (CONSUMABLE)
 - ⑧ IF ACCESS DOOR SIZE IS > 15 FT² APPLY A STRUCTURAL SILICONE TOE BEAD 6-8" IN BOTH DIRECTIONS FROM EACH CORNER (CONSUMABLE)



- INSIDE BEAD GLAZING**
- GLASS, GLAZING & GLAZING MATERIALS BY WAUSAU WINDOW AND WALL SYSTEMS
BAAN# 187061
- ① SILICONE CAP BEAD (CONSUMABLE)
 - ② TAPE POLYSHIM II, 150 X .250 (#142748) (CONSUMABLE)
 - ③ TOE BEAD 6 TO 8 INCHES BOTH DIRECTIONS (ALL 4 CORNERS) (CONSUMABLE)
 - ④ SETTING BLOCK 3/8 X 1 X 4 LG. #133265 (CONSUMABLE)
 - ⑤ DRIVE-IN GLAZING WEDGE (#5115) (CONSUMABLE)

GLAZING DETAILS

ACCESS DOORS AND BLINDS