

**NOTES:**

1. SIZE LIMITATIONS
  - A. OPERABLE LITES: MAXIMUM CASEMENT 36" w X 60" h.
  - B. OPERABLE LITES: MAXIMUM AWNINGS & HOPPERS 60" w X 36" h.
  - C. FIXED LITES: MAXIMUM 60" w X 84" h.
2. HARDWARE INFORMATION
  - A. S.S. 4-BAR HINGE, BUTT HINGE, CAMS, KEEPERS, CONCEALED LOCKS, ROTO'S, LIMIT STOPS.
  - B. 5/8" OR 1" BLINDS INSTALLED BY WAUSAU.
3. AIR & WATER INFILTRATION
  - A. .1 cfm/ft @ 6.24 psf (vents)
  - B. 0.06 cfm/sqft @ 6.24psf (fixed)
  - C. 12 psf
4. FRAME CONSTRUCTION
  - A. JAMBS RUN THROUGH.
5. SASH CONSTRUCTION
  - A. MITERED, CORNER BLOCKED, AND CRIMPED.
6. OPTIONAL: ACCESS DOORS AND SCREENS

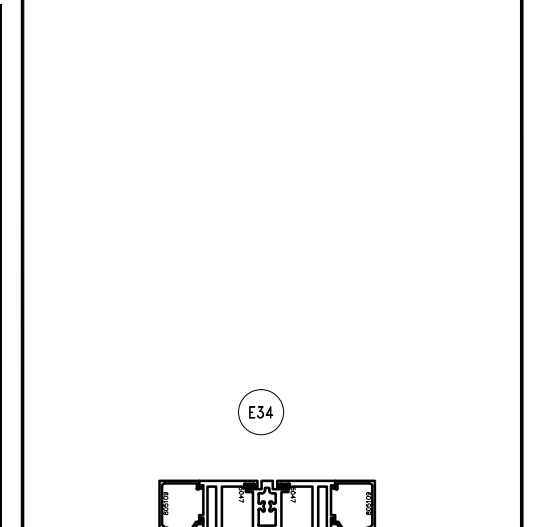
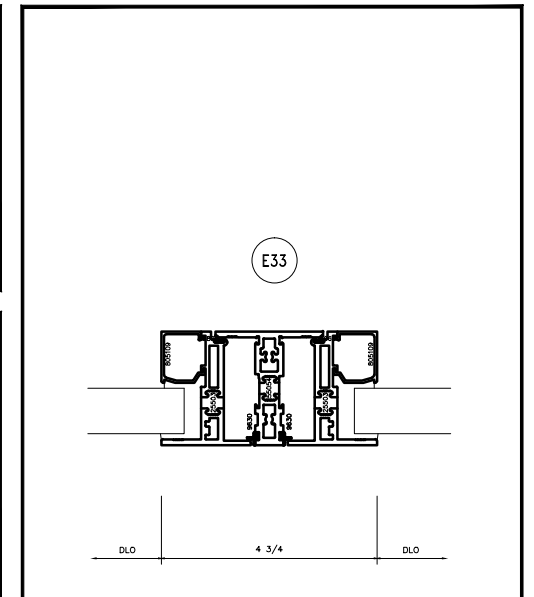
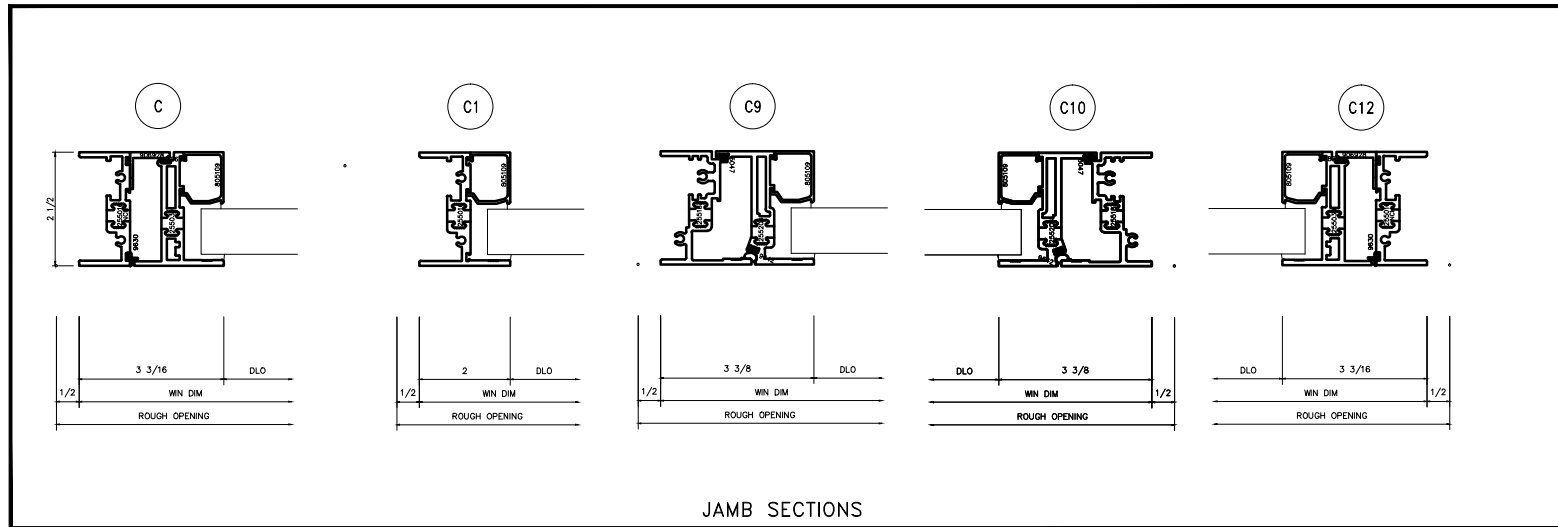
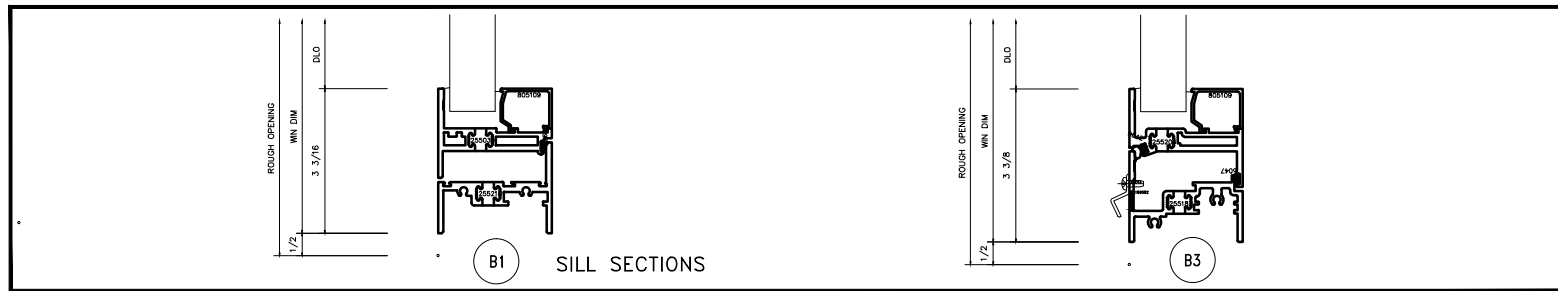
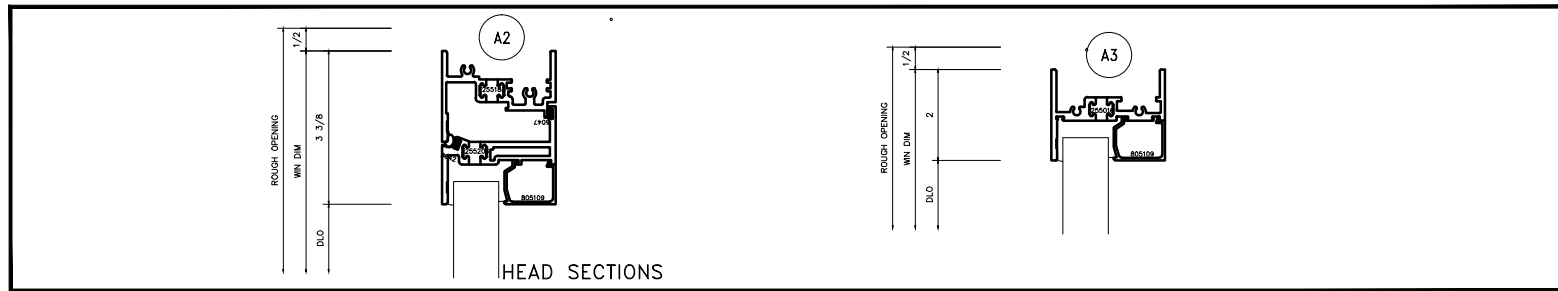
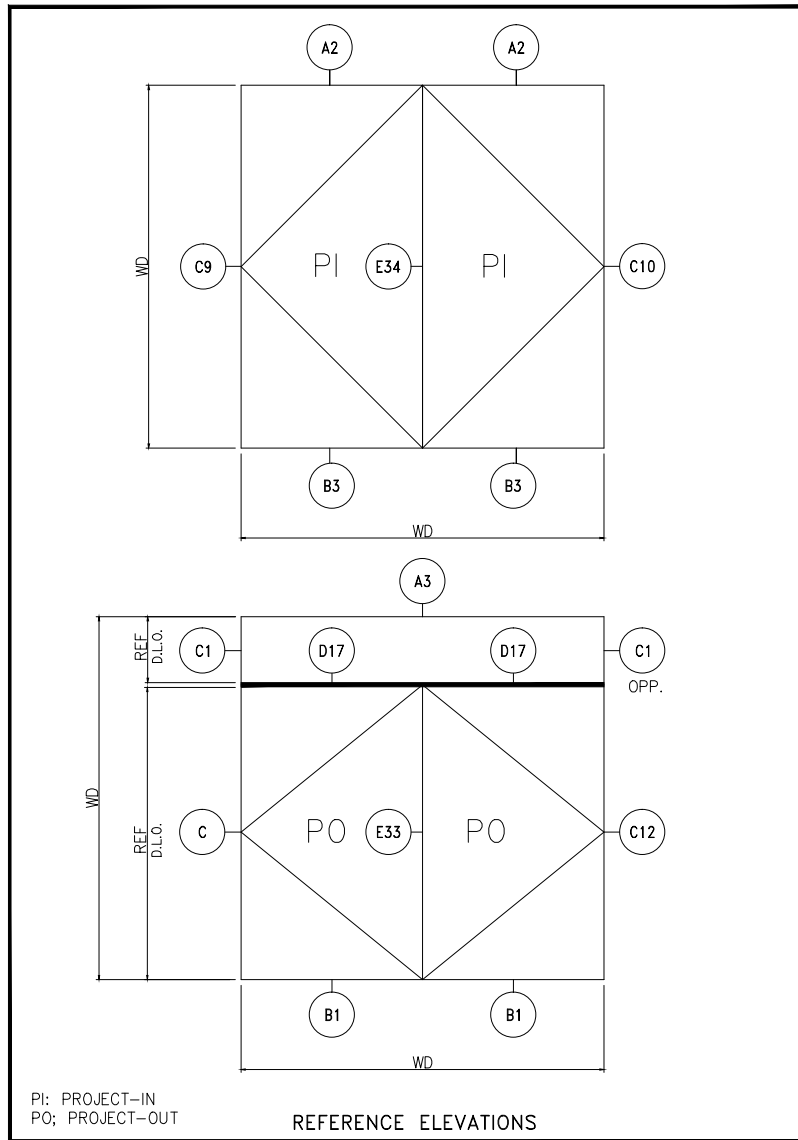
**ADVANTAGE**  
BY WAUSAU

SERIES:  
2250 (2 1/2" DEEP)

LAST UPDATED: 4/11/06

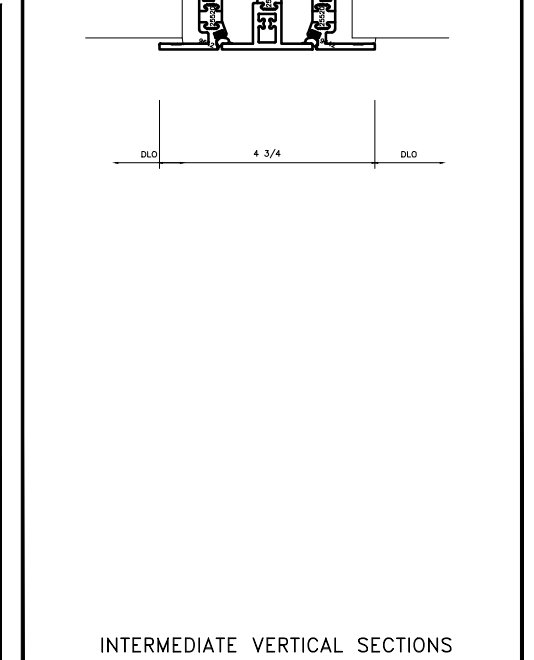
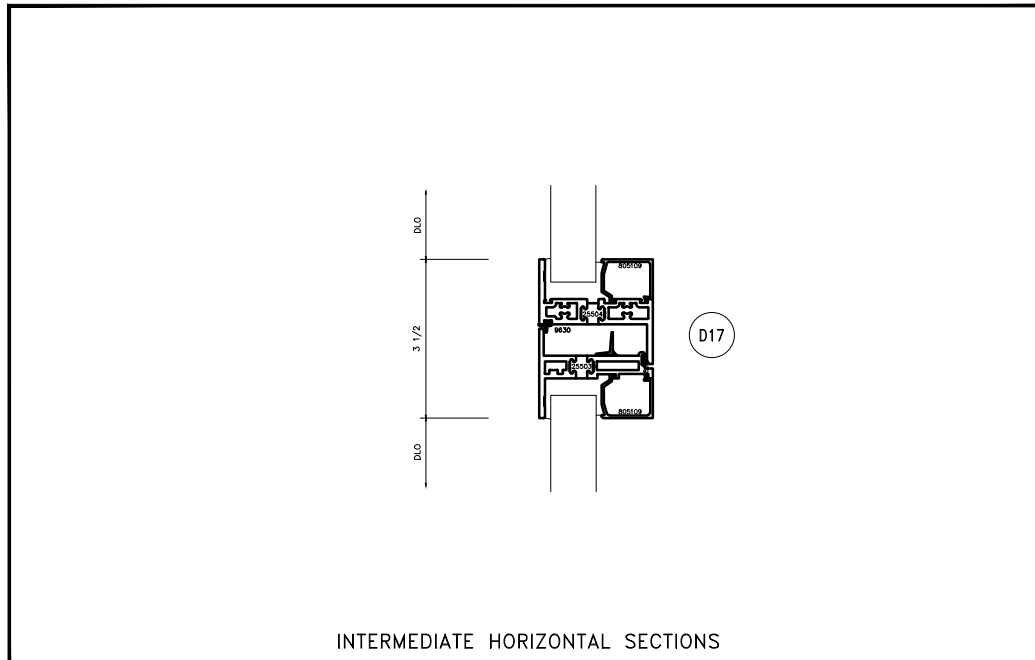
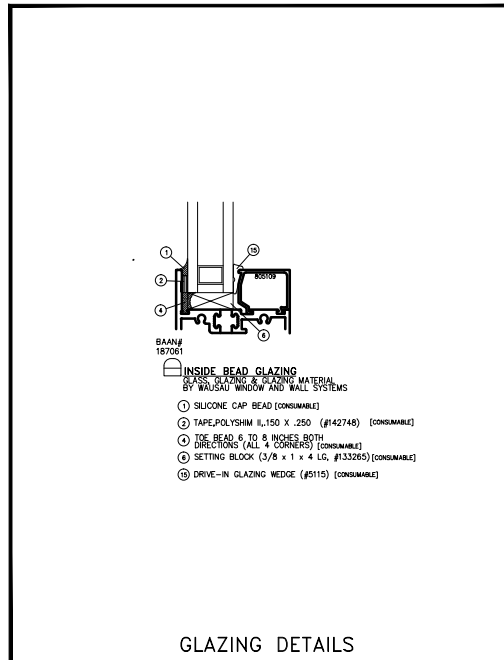
7800 International Drive  
P.O. Box 1746  
Wausau, WI 54402-1746

Phone: (715) 845-2161  
Fax: (715) 843-4350  
www.wausauwindow.com



NOTES:

- SIZE LIMITATIONS
  - OPERABLE LITES: MAXIMUM CASEMENT 36" w X 60" h.
  - OPERABLE LITES: MAXIMUM AWNINGS & HOPPERS 60" w X 36" h.
  - FIXED LITES: MAXIMUM 60" w X 84" h.
- HARDWARE INFORMATION
  - S.S. 4-BAR HINGE, BUTT HINGE, CAMS, KEEPERS, CONCEALED LOCKS, ROTO'S, LIMIT STOPS.
  - 5/8" OR 1" BLINDS INSTALLED BY WAUSAU.
- AIR & WATER INFILTRATION
  - .1 cfm/ft @ 6.24 psf (vents)
  - 0.06 cfm/sqft @ 6.24psf (fixed)
  - 12 psf
- FRAME CONSTRUCTION
  - JAMBS RUN THROUGH.
- SASH CONSTRUCTION
  - MITERED, CORNER BLOCKED, AND CRIMPED.
- OPTIONAL: ACCESS DOORS AND SCREENS



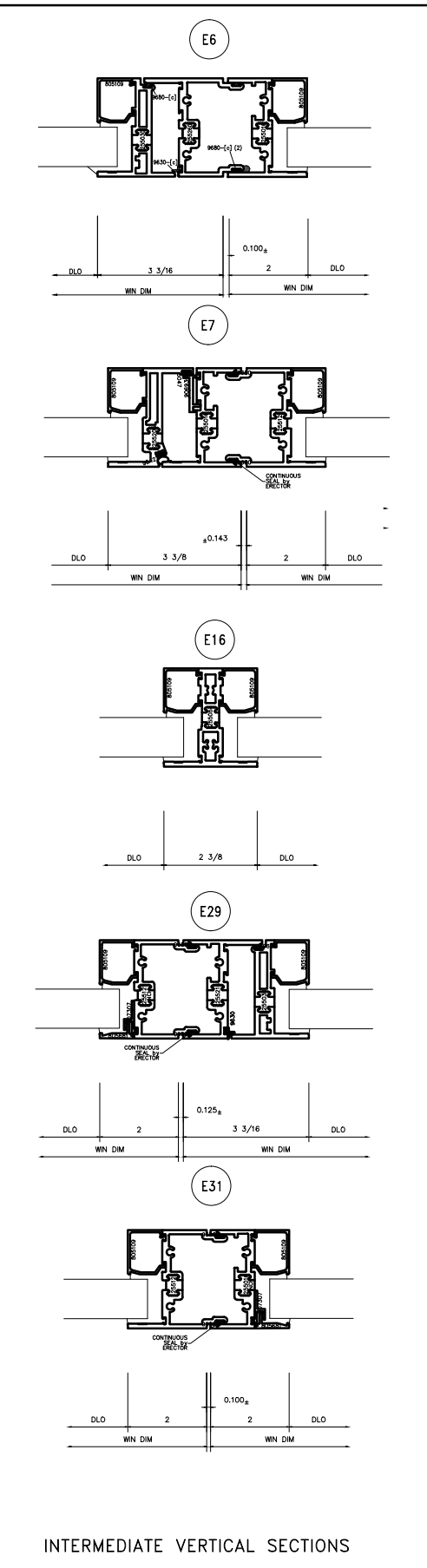
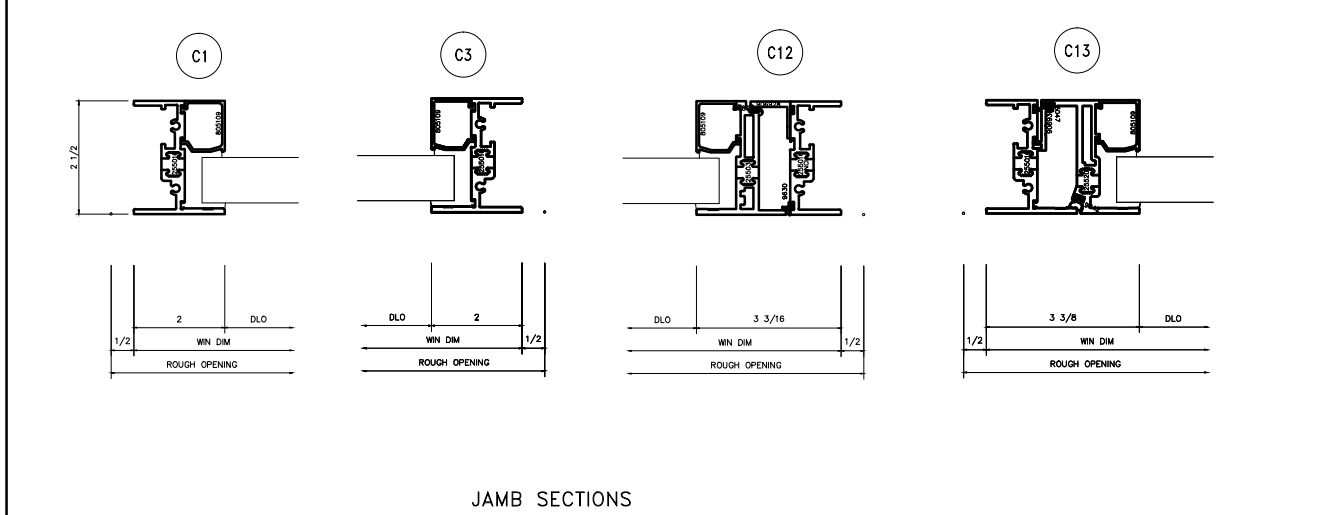
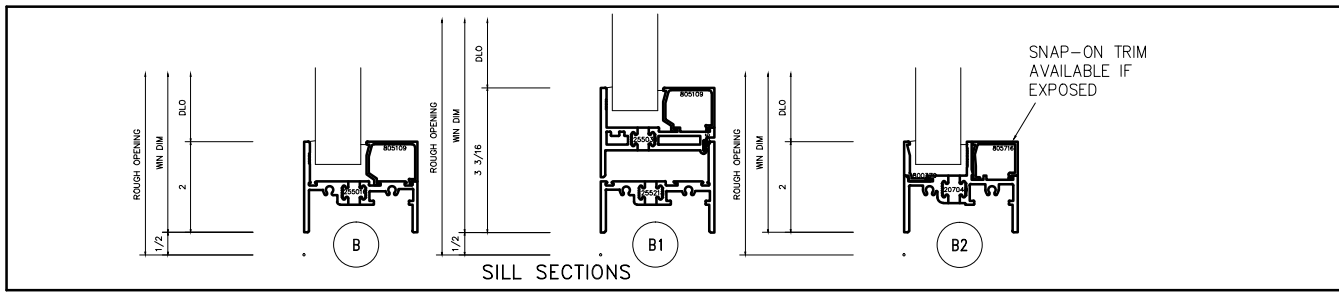
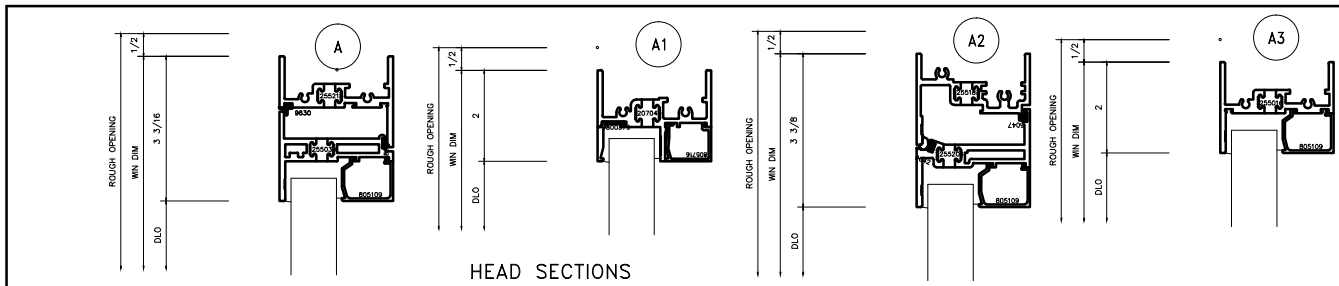
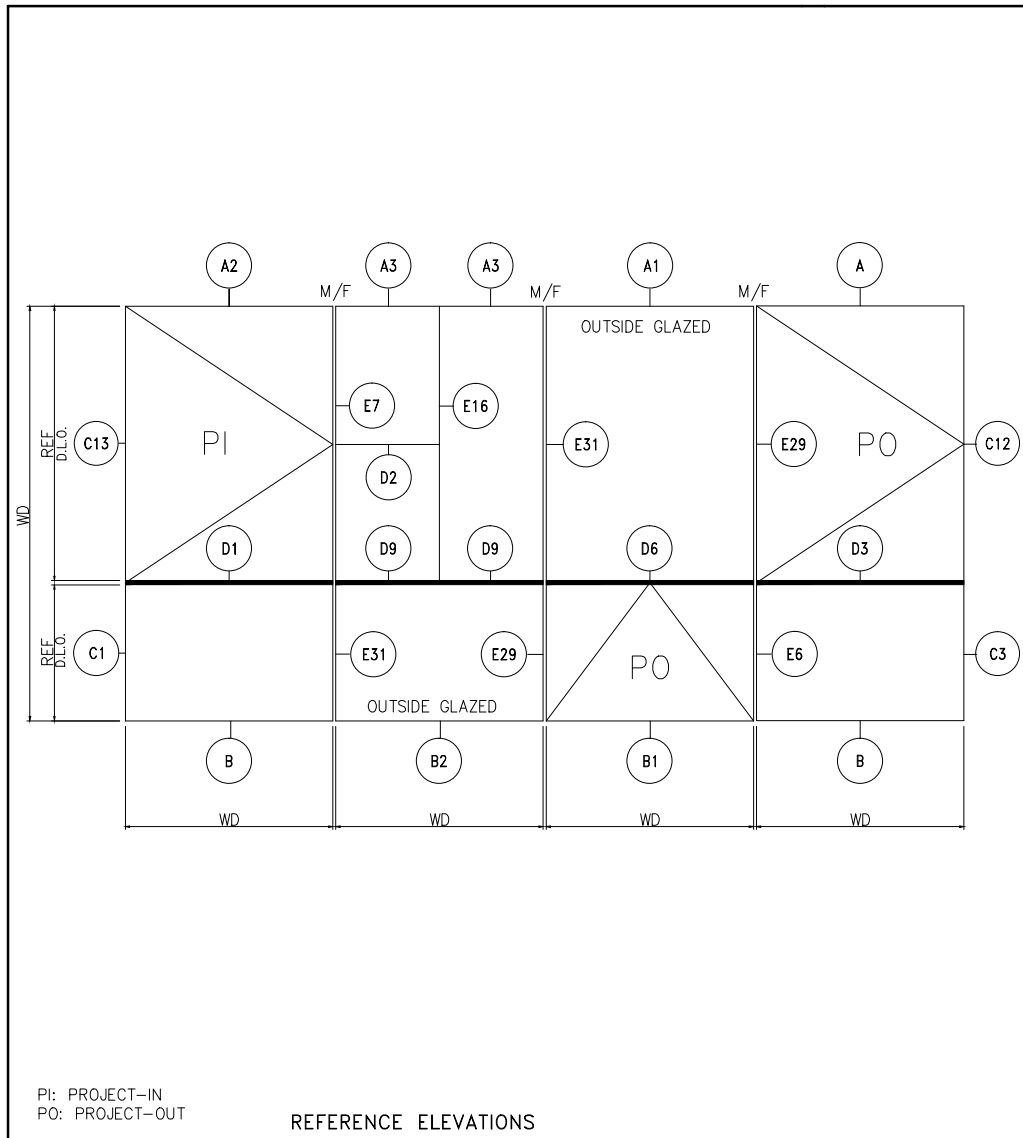
**ADVANTAGE**  
by **WAUSAU**

SERIES:  
2250 (2 1/2" DEEP)

7800 International Drive  
P.O. Box 1746  
Wausau, WI 54402-1746

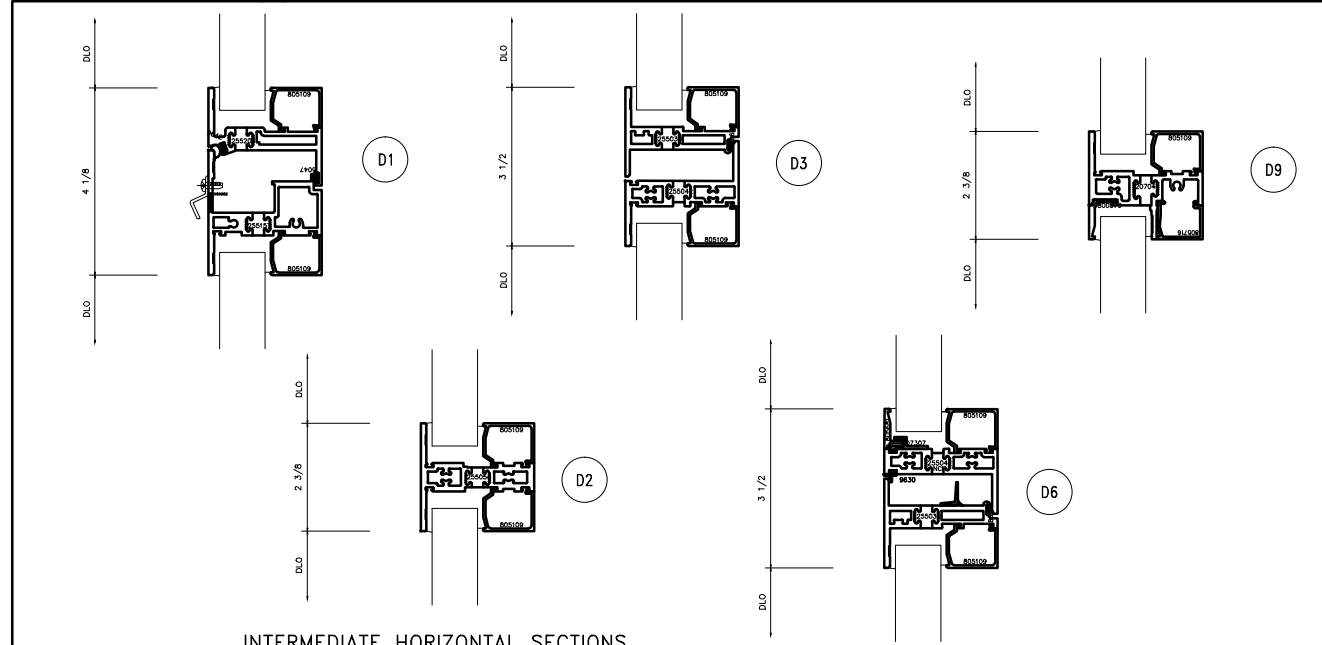
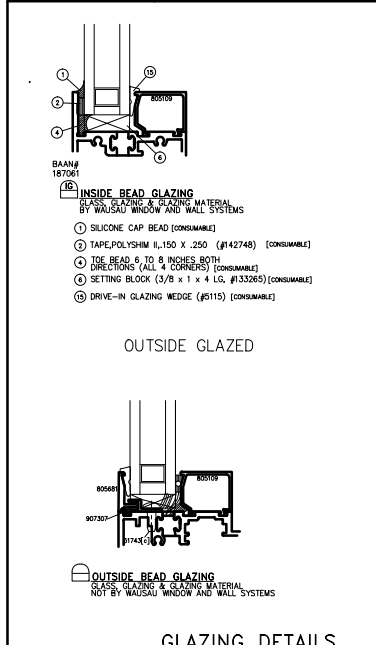
Phone: (715) 845-3161  
Fax: (715) 843-4350  
www.wausauwindow.com

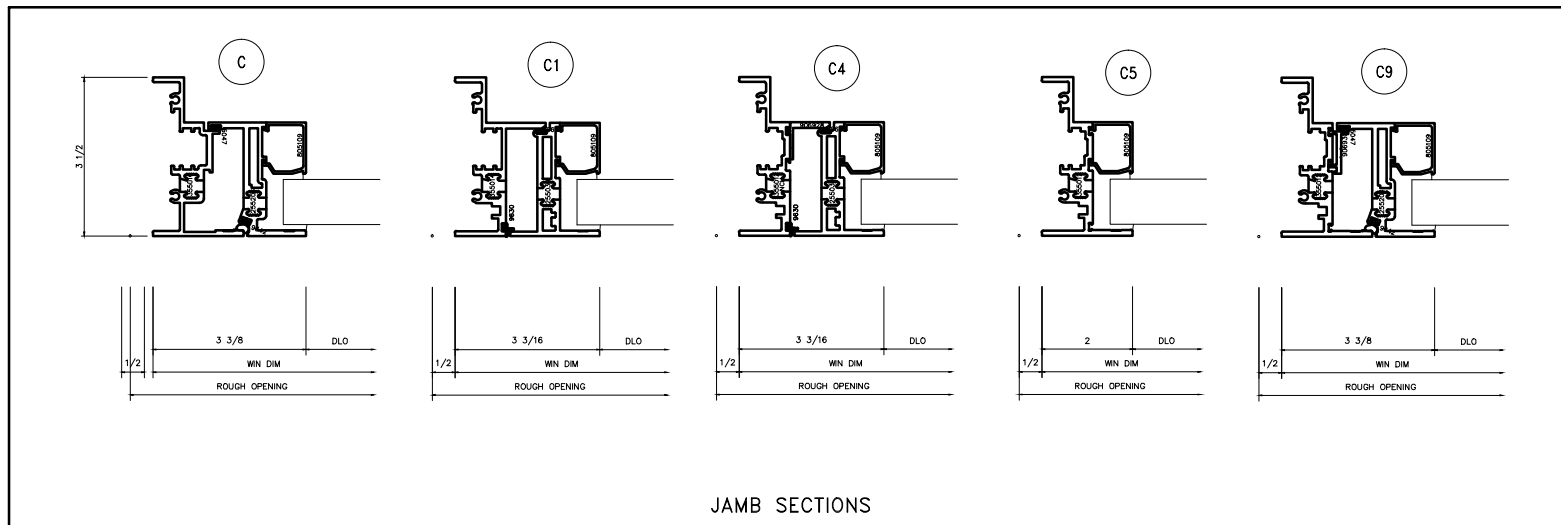
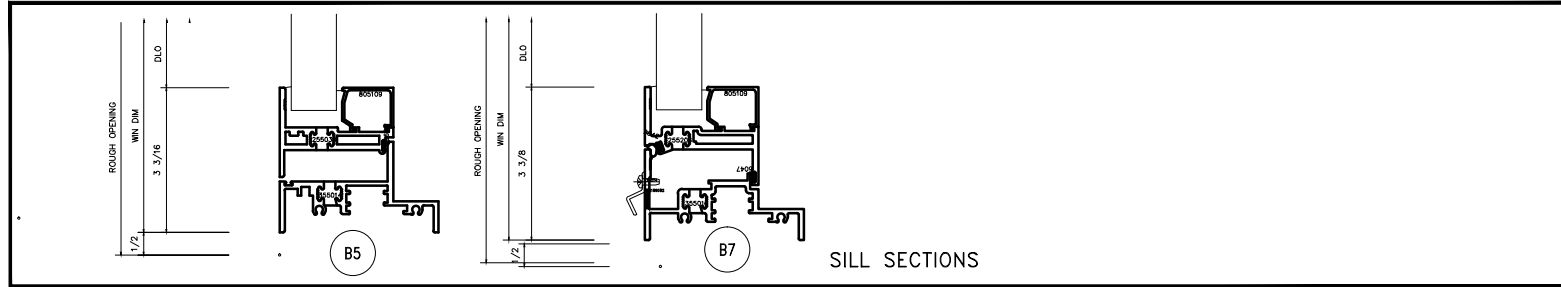
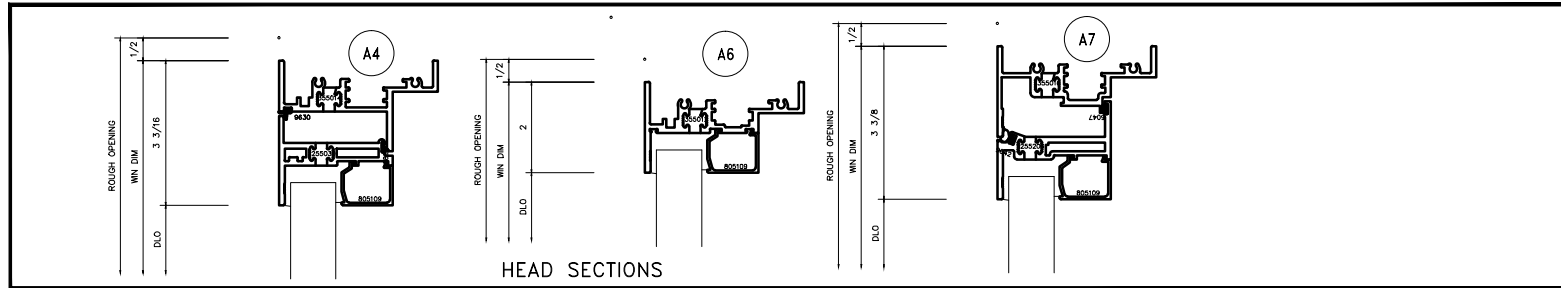
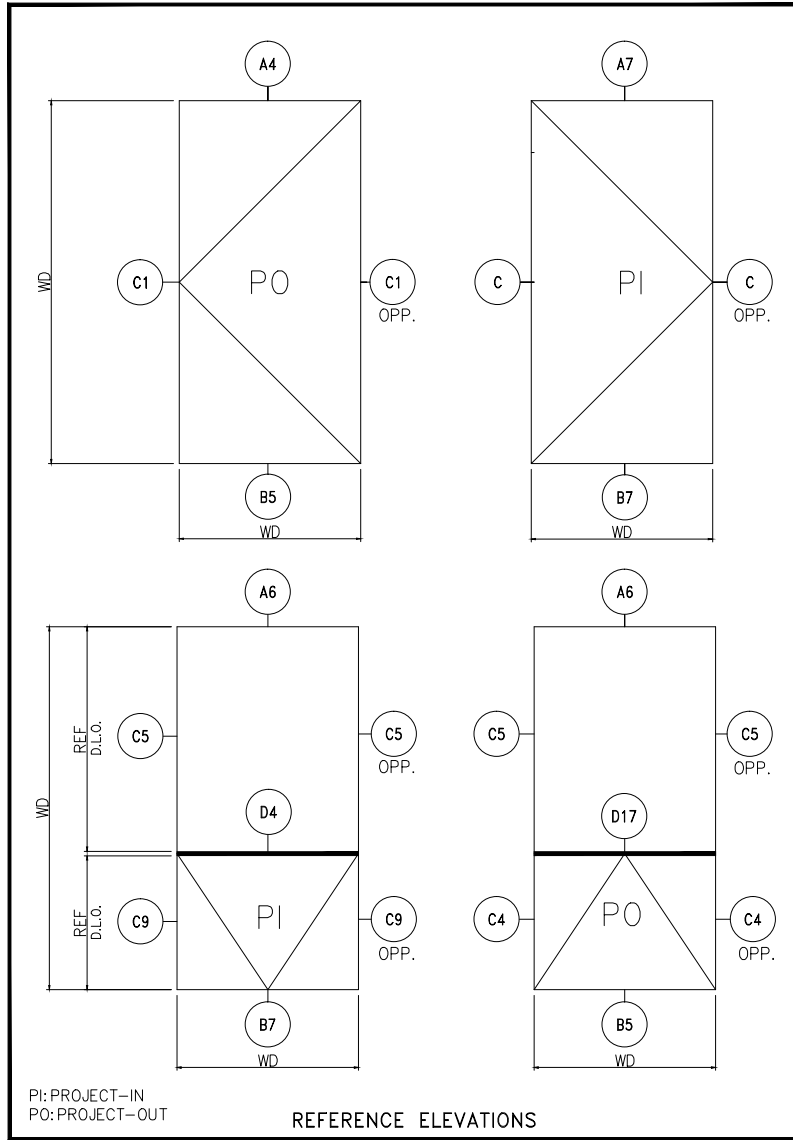
LAST UPDATED: 4/11/06



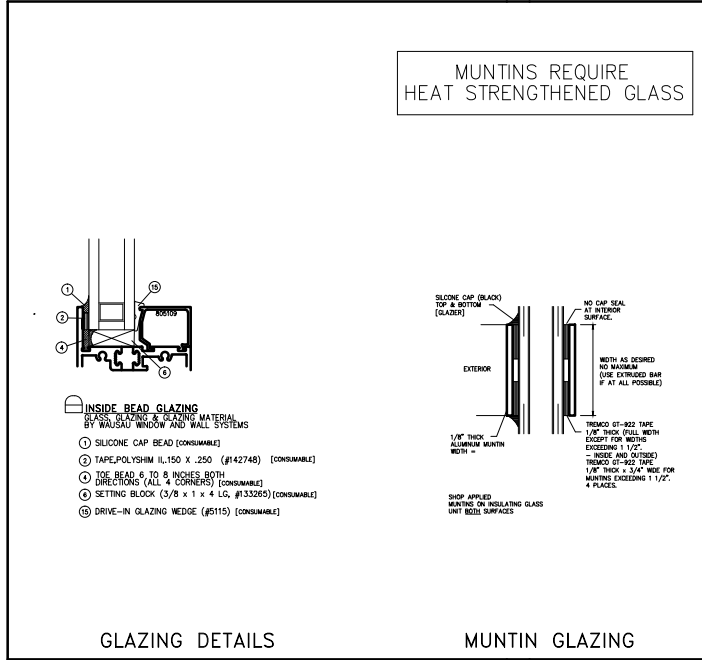
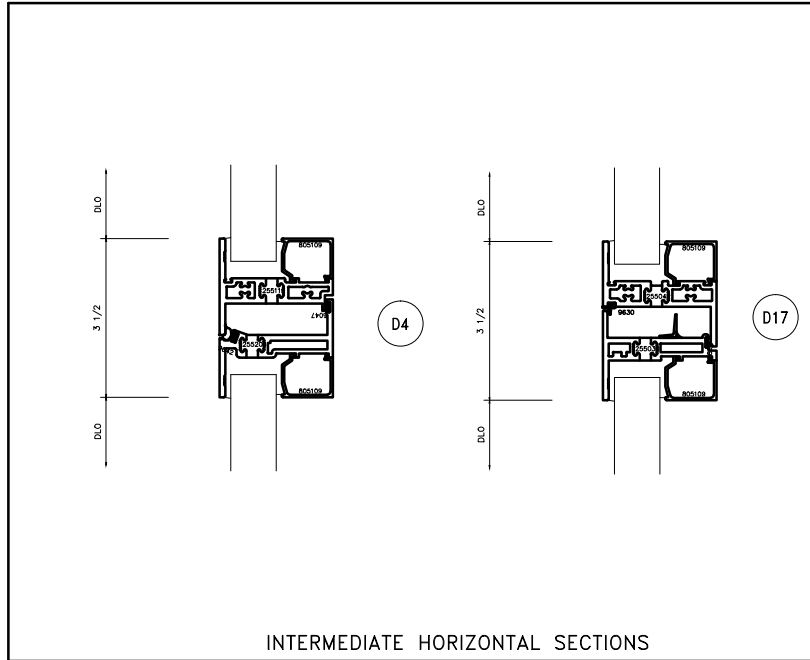
NOTES:

- SIZE LIMITATIONS
  - OPERABLE LITES: MAXIMUM CASEMENT 36" w X 60" h.
  - OPERABLE LITES: MAXIMUM AWNINGS & HOPPERS 60" w X 36" h.
  - FIXED LITES: MAXIMUM 60" w X 84" h.
- HARDWARE INFORMATION
  - S.S. 4-BAR HINGE, BUTT HINGE, CAMS, KEEPERS, CONCEALED LOCKS, ROTO'S, LIMIT STOPS.
  - 5/8" OR 1" BLINDS INSTALLED BY WAUSAU.
- AIR & WATER INFILTRATION
  - .1 cfm/ft @ 6.24 psf (vents)
  - 0.06 cfm/sqft @ 6.24psf (fixed)
  - 12 psf
- FRAME CONSTRUCTION
  - JAMBS RUN THROUGH.
- SASH CONSTRUCTION
  - MITERED, CORNER BLOCKED, AND CRIMPED.
- OPTIONAL: ACCESS DOORS AND SCREENS





NOTES:  
1. SIZE LIMITATIONS  
A. OPERABLE LITES: MAXIMUM CASEMENT 36" w X 60" h.  
B. OPERABLE LITES: MAXIMUM AWNINGS & HOPPERS 60" w X 36" h.  
C. FIXED LITES: MAXIMUM 60" w X 84" h.  
2. HARDWARE INFORMATION  
A. S.S. 4-BAR HINGE, BUTT HINGE, CAMS, KEEPERS, CONCEALED LOCKS, ROTO'S, LIMIT STOPS.  
B. 5/8" OR 1" BLINDS INSTALLED BY WAUSAU,  
3. AIR & WATER INFILTRATION  
A. .1 cfm/ft @ 6.24 psf (vents)  
B. 0.06 cfm/sqft @ 6.24psf (fixed)  
C. 12 psf  
4. FRAME CONSTRUCTION  
A. JAMBS RUN THROUGH.  
5. SASH CONSTRUCTION  
A. MITERED, CORNER BLOCKED, AND CRIMPED.  
6. OPTIONAL: ACCESS DOORS AND SCREENS



TRIPLE GLAZED W/5/8" BLINDS

APPLY @ 1/4 POINTS OR 3/HEAD IF BLIND IS > 4 FEET

APPLY @ 1/4 POINTS OR 3/HEAD IF BLIND IS > 6 FEET

APPLY @ 1/4 POINTS OR 3/HEAD IF D.L.O. IS > 6 FEET

GLASS, GLAZING & GLAZING MATERIALS BY WAUSAU WINDOW AND WALL SYSTEMS  
BAUM 18708  
1 SILICONE CAP BEAD (CONSUMABLE)  
2 TAPE-POLYUHM IL150 X .250 (#142748) (CONSUMABLE)  
3 TOE BEAD 6 TO 8 INCHES BOTH DIRECTIONS (ALL 4 CORNERS) (CONSUMABLE)  
4 SETTING BLOCK 3/8 X 1 X 4 LG. #133265 (CONSUMABLE)  
5 DRIVE-IN GLAZING WEDGE (#5218) (CONSUMABLE)  
6 ACCESS DOOR (CONSUMABLE)  
7 BLIND (CONSUMABLE)

BLINDS MAY REQUIRE HEAT STRENGTHENED GLASS

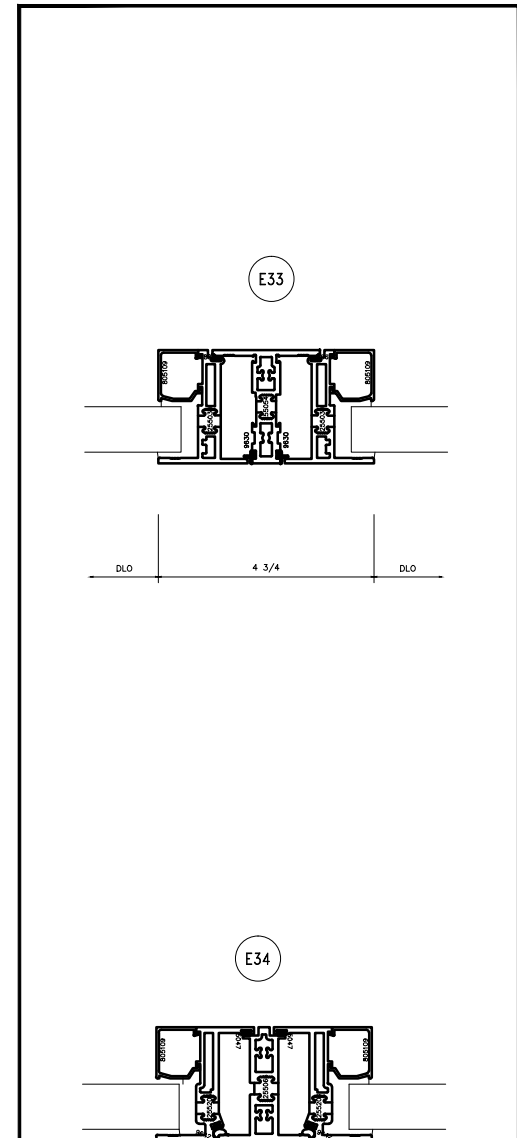
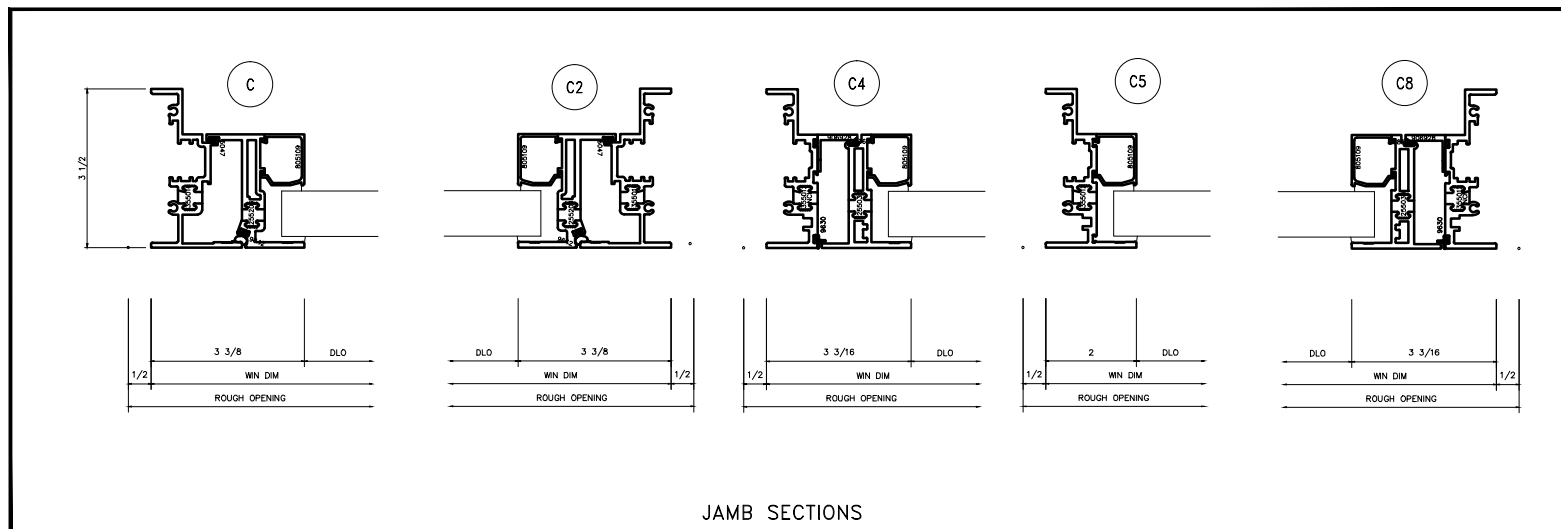
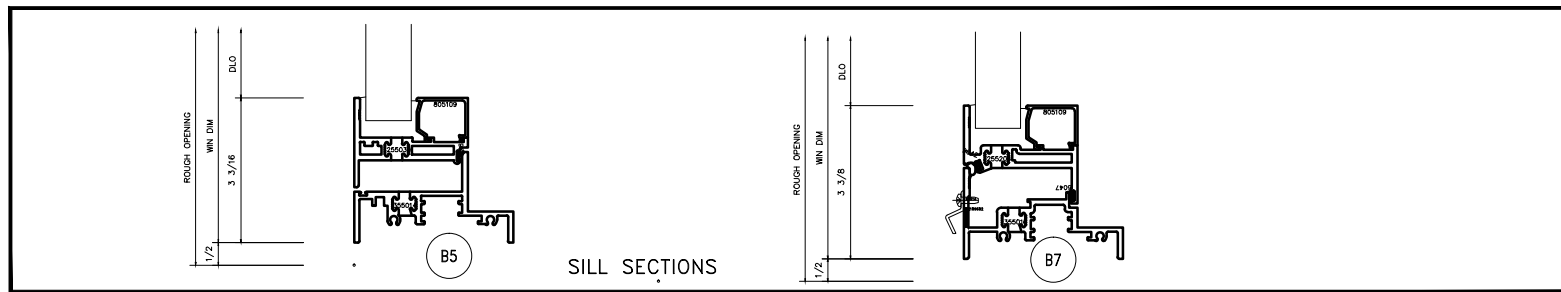
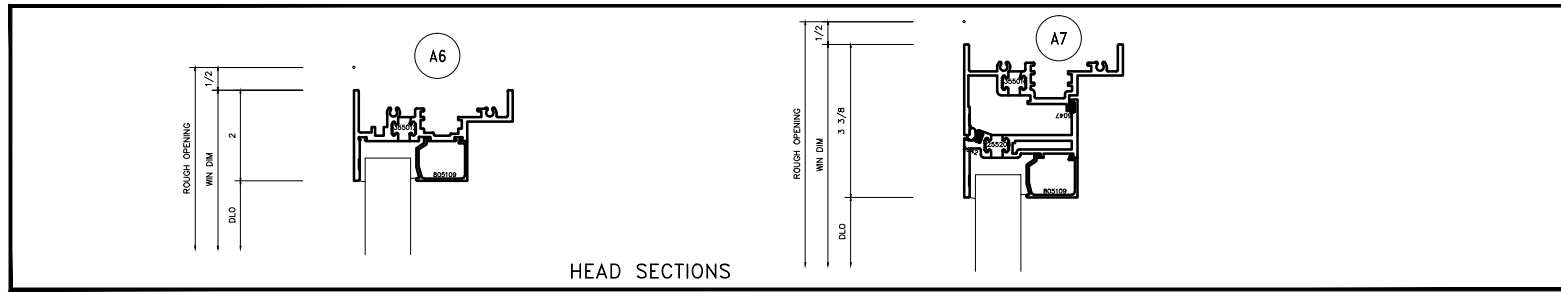
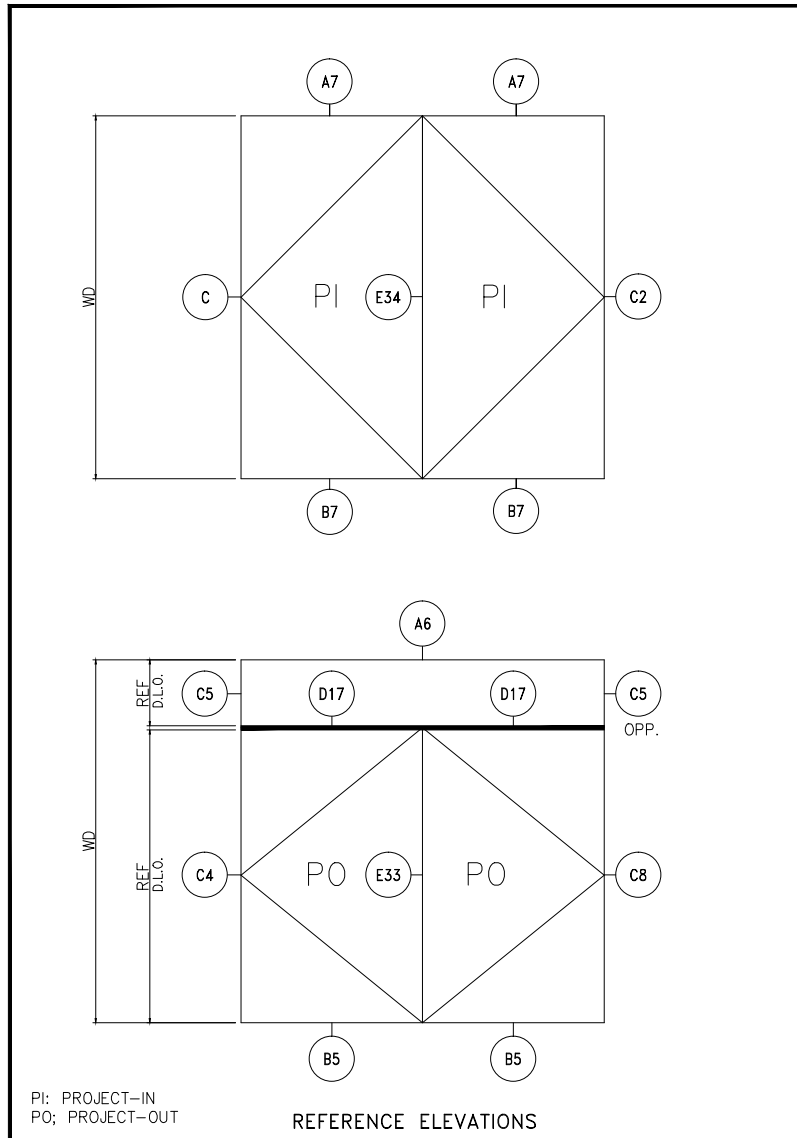
DUAL GLAZED W/1" BLINDS

APPLY @ 1/4 POINTS OR 3/HEAD IF BLIND IS > 4 FEET

APPLY @ 1/4 POINTS OR 3/HEAD IF BLIND IS > 6 FEET

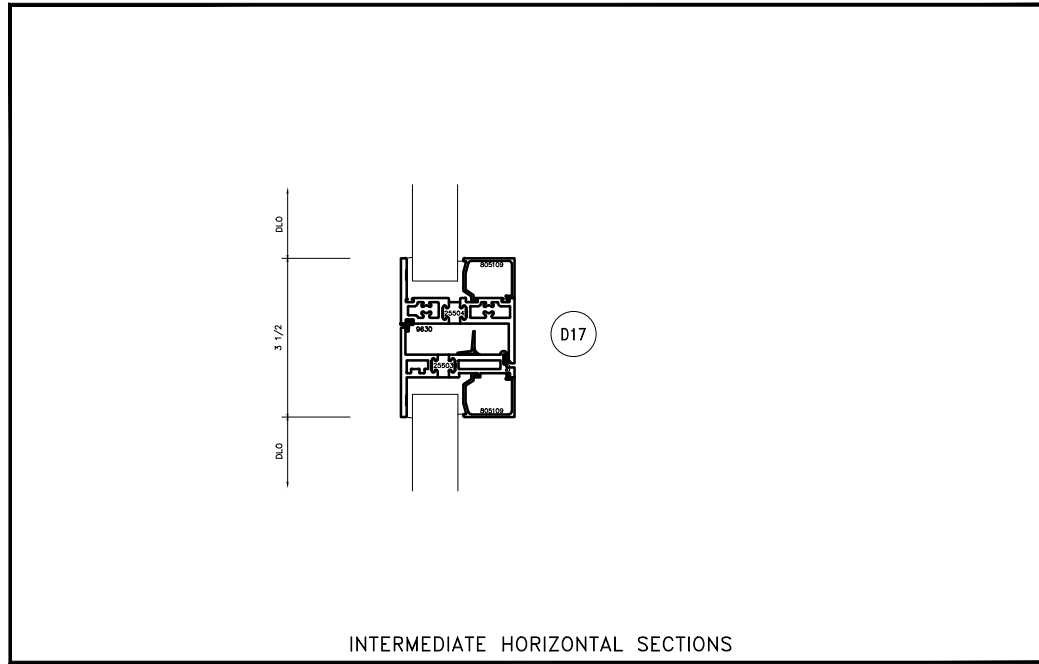
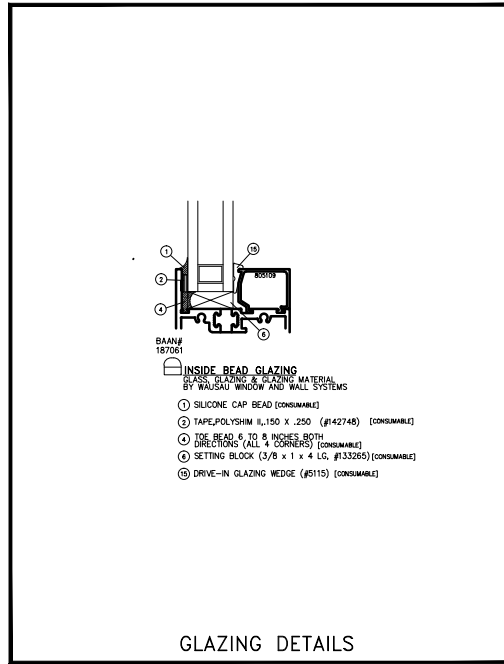
GLASS, GLAZING & GLAZING MATERIALS BY WAUSAU WINDOW AND WALL SYSTEMS  
BAUM 18708  
1 SILICONE CAP BEAD (CONSUMABLE)  
2 TAPE-POLYUHM IL150 X .250 (#142748) (CONSUMABLE)  
3 TOE BEAD 6 TO 8 INCHES BOTH DIRECTIONS (ALL 4 CORNERS) (CONSUMABLE)  
4 SETTING BLOCK 3/8 X 1 X 4 LG. #133265 (CONSUMABLE)  
5 DRIVE-IN GLAZING WEDGE (#5115) (CONSUMABLE)  
6 ACCESS DOOR (CONSUMABLE)  
7 BLIND (CONSUMABLE)

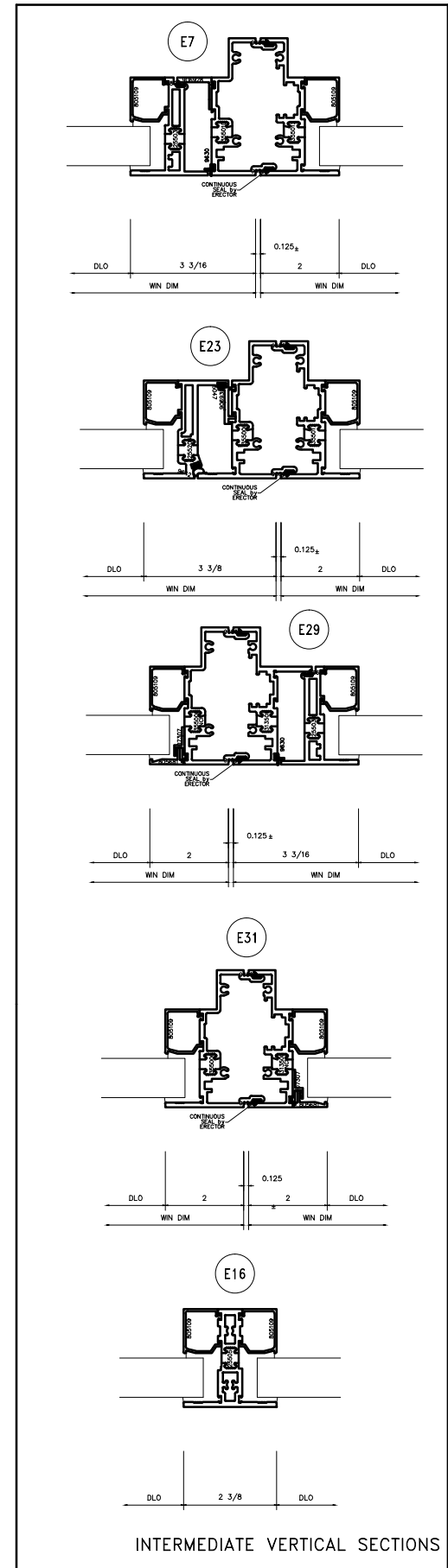
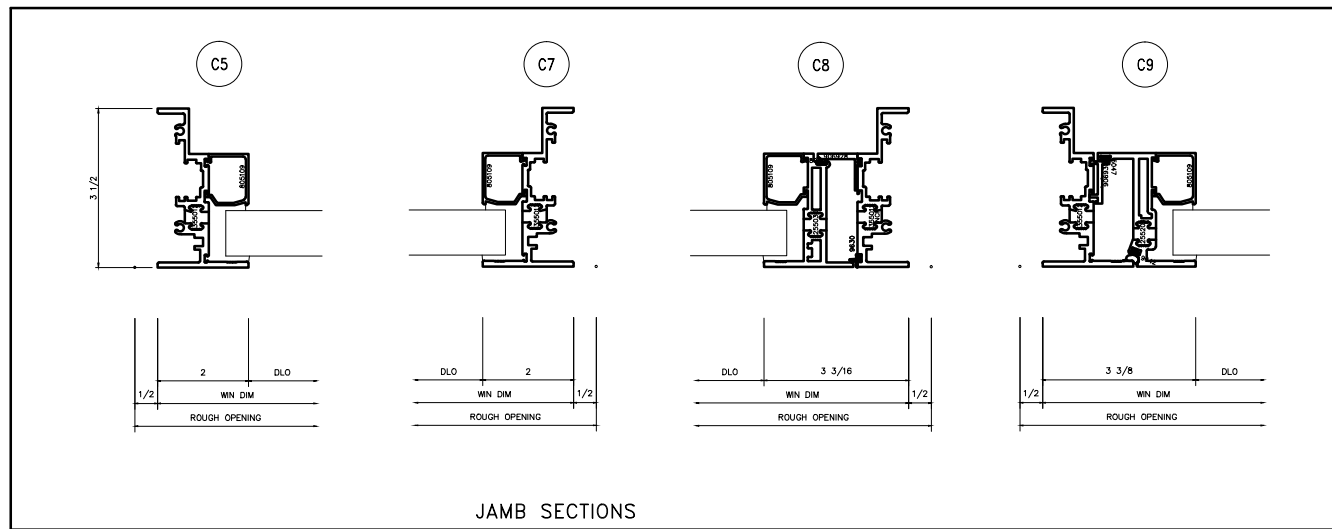
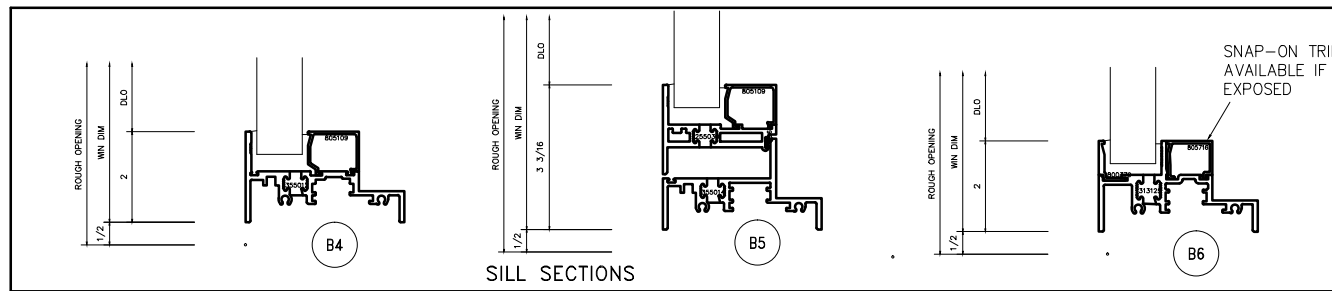
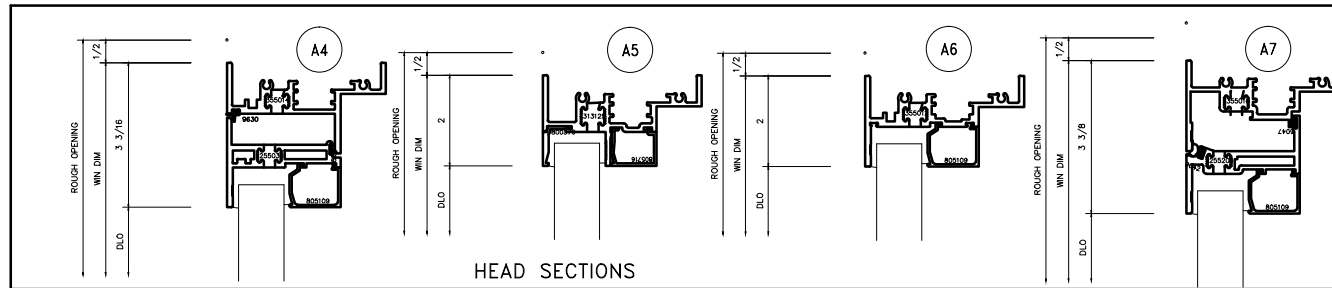
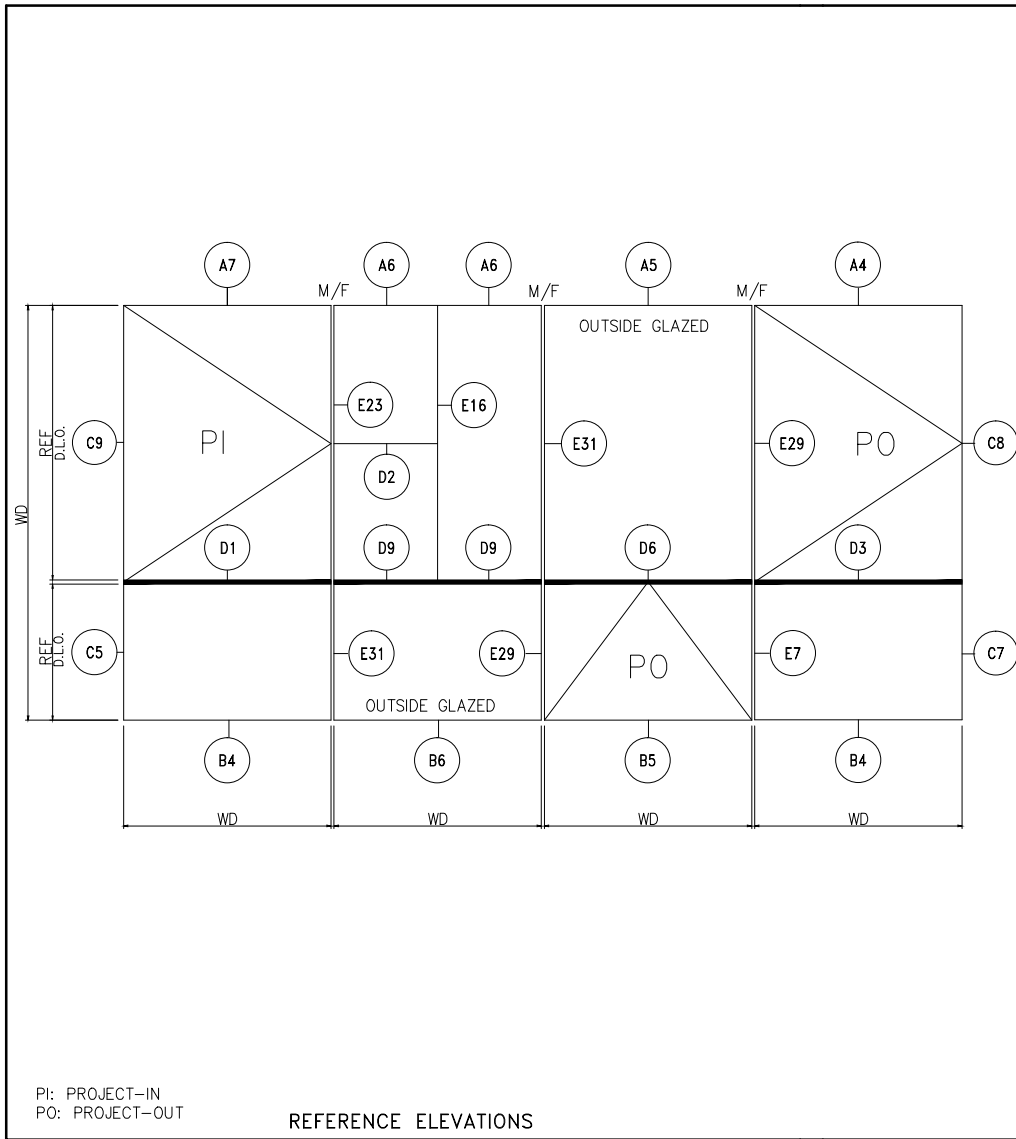
ACCESS DOORS AND BLINDS



NOTES:

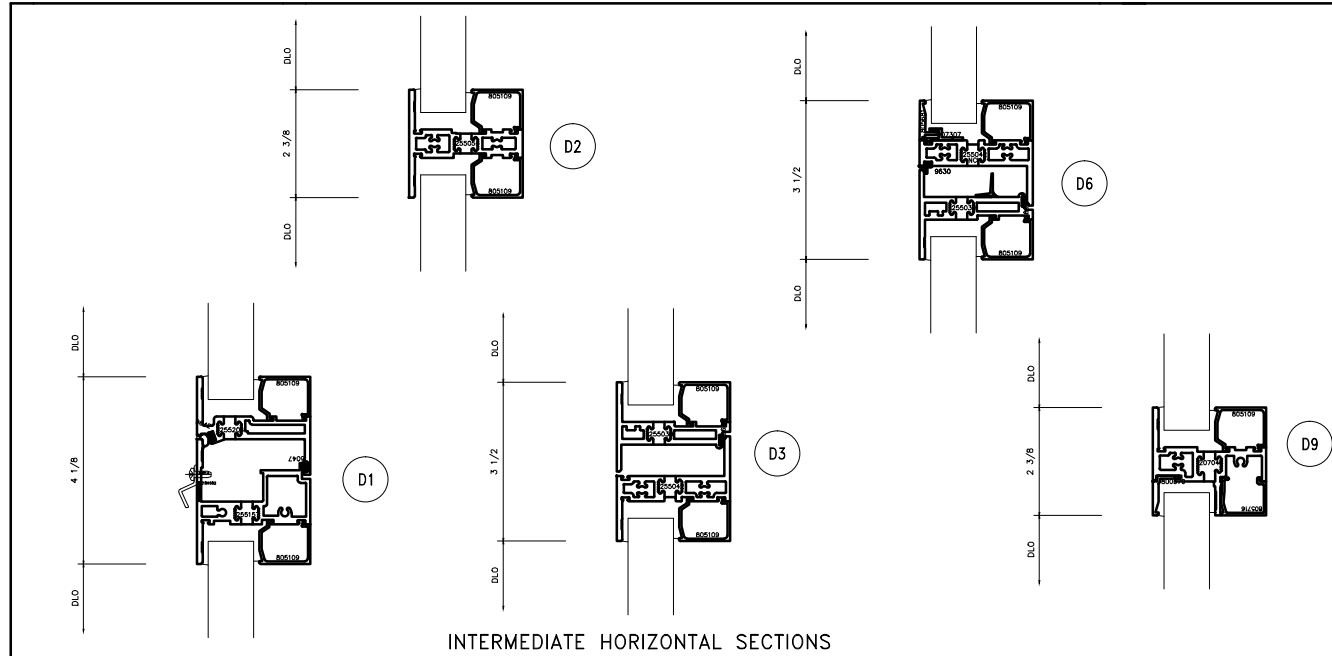
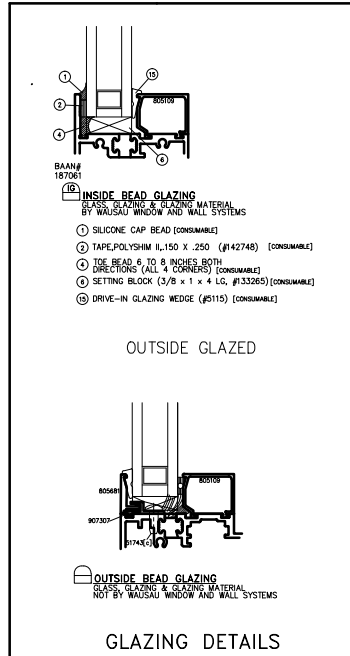
- SIZE LIMITATIONS
  - OPERABLE LITES: MAXIMUM CASEMENT 36" w X 60" h.
  - OPERABLE LITES: MAXIMUM AWNINGS & HOPPERS 60" w X 36" h.
  - FIXED LITES: MAXIMUM 60" w X 84" h.
- HARDWARE INFORMATION
  - S.S. 4-BAR HINGE, BUTT HINGE, CAMS, KEEPERS, CONCEALED LOCKS, ROTO'S, LIMIT STOPS.
  - 5/8" OR 1" BLINDS INSTALLED BY WAUSAU,
- AIR & WATER INFILTRATION
  - .1 cfm/ft @ 6.24 psf (vents)
  - 0.06 cfm/sqft @ 6.24psf (fixed)
  - 12 psf
- FRAME CONSTRUCTION
  - JAMBS RUN THROUGH.
- SASH CONSTRUCTION
  - MITERED, CORNER BLOCKED, AND CRIMPED.
- OPTIONAL: ACCESS DOORS AND SCREENS





NOTES:

- SIZE LIMITATIONS
  - OPERABLE LITES: MAXIMUM CASEMENT 36" w X 60" h.
  - OPERABLE LITES: MAXIMUM AWNINGS & HOPPERS 60" w X 36" h.
  - FIXED LITES: MAXIMUM 60" w X 84" h.
- HARDWARE INFORMATION
  - S.S. 4-BAR HINGE, BUTT HINGE, CAMS, KEEPERS, CONCEALED LOCKS, ROTO'S, LIMIT STOPS.
  - 5/8" OR 1" BLINDS INSTALLED BY WAUSAU,
- AIR & WATER INFILTRATION
  - .1 cfm/ft @ 6.24 psf (vents)
  - 0.06 cfm/sqft @ 6.24psf (fixed)
  - 12 psf
- FRAME CONSTRUCTION
  - JAMBS RUN THROUGH.
- SASH CONSTRUCTION
  - MITERED, CORNER BLOCKED, AND CRIMPED.
- OPTIONAL: ACCESS DOORS AND SCREENS



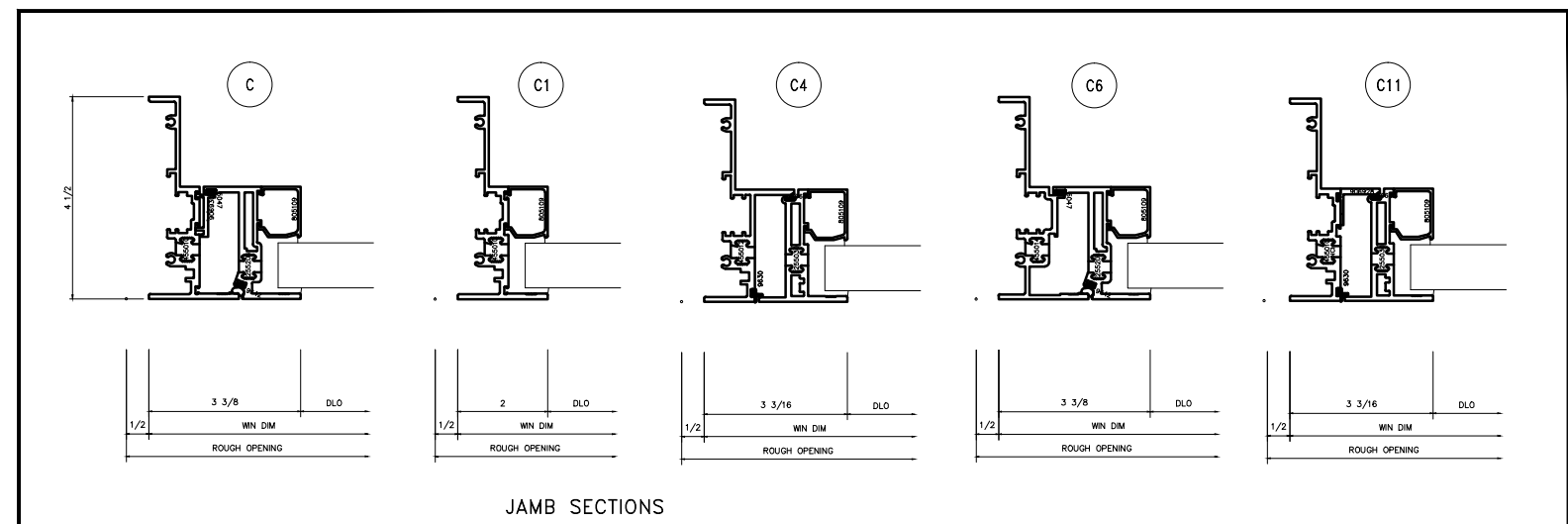
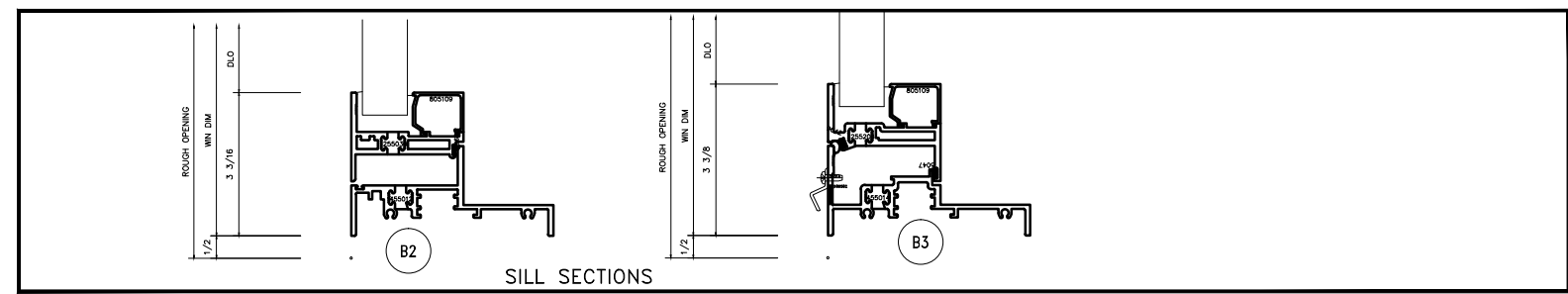
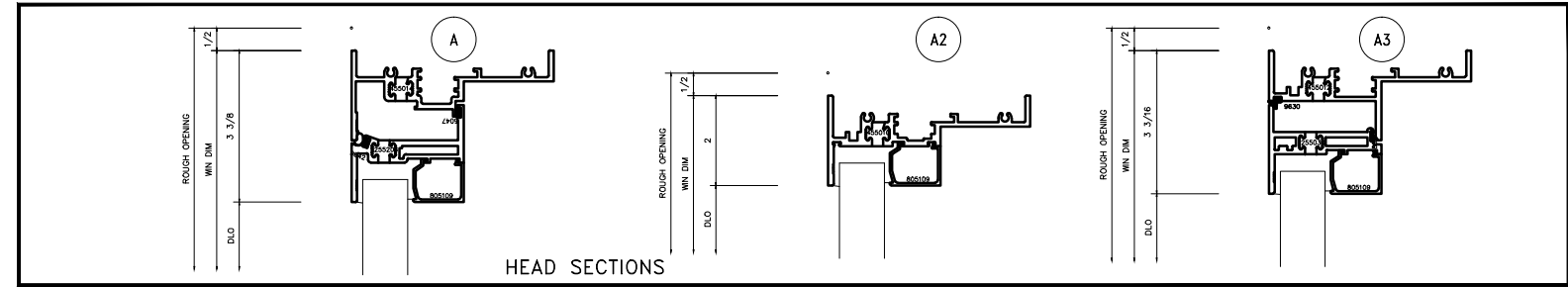
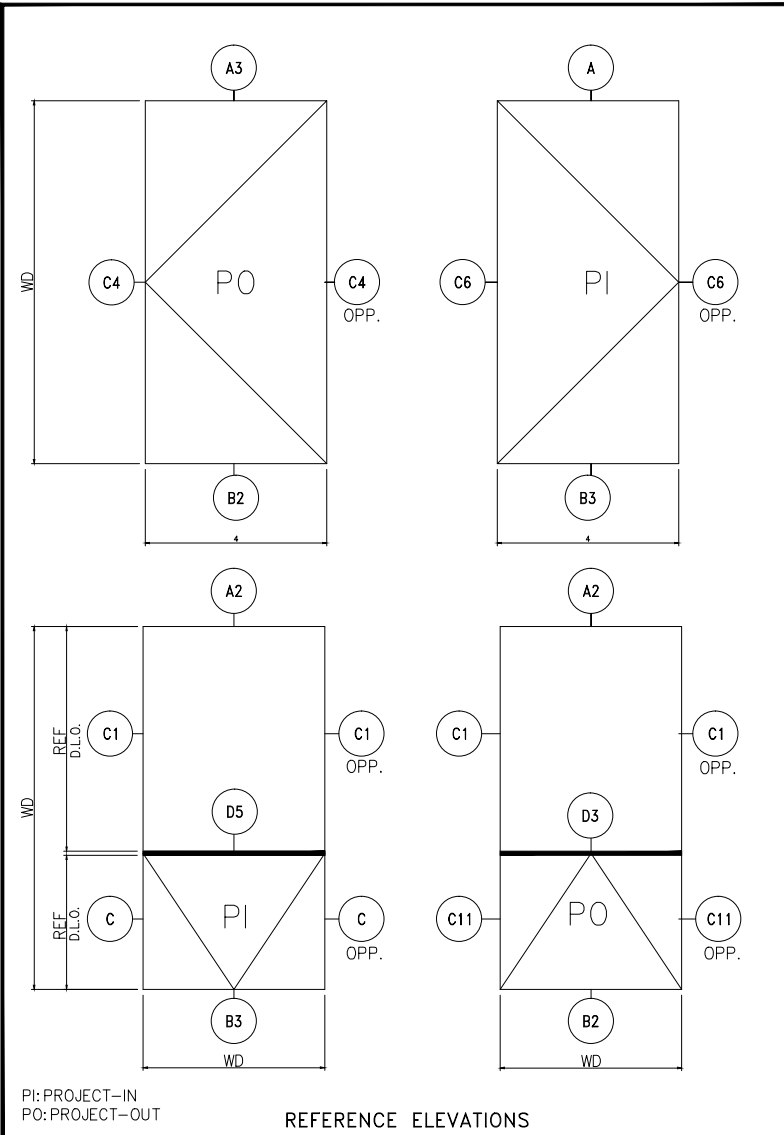
**ADVANTAGE WAUSAU**

7800 International Drive  
P.O. Box 1746  
Wausau, WI 54402-1746

Phone: (715) 845-2161  
Fax: (715) 843-4350  
www.wausauwindow.com

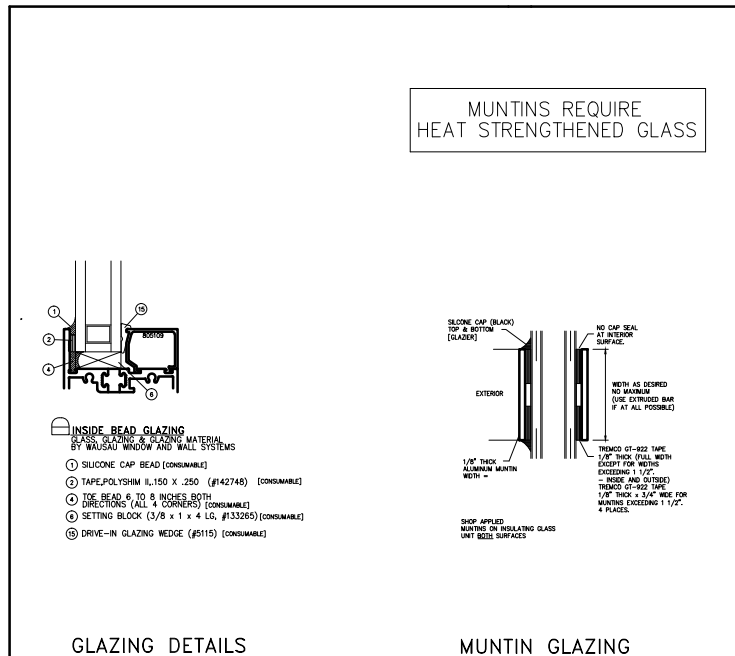
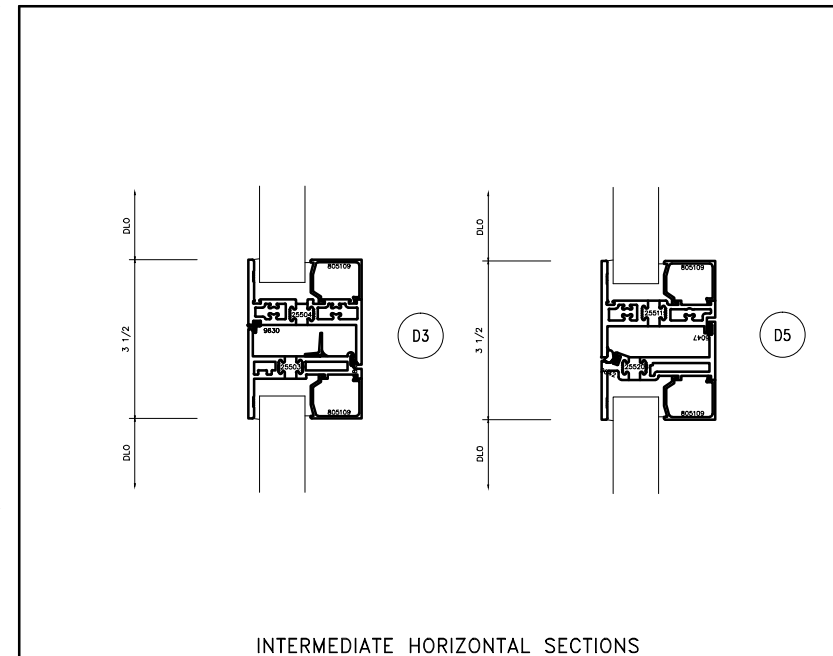
SERIES: 3250 (3 1/2" DEEP)

LAST UPDATED: 4/11/06

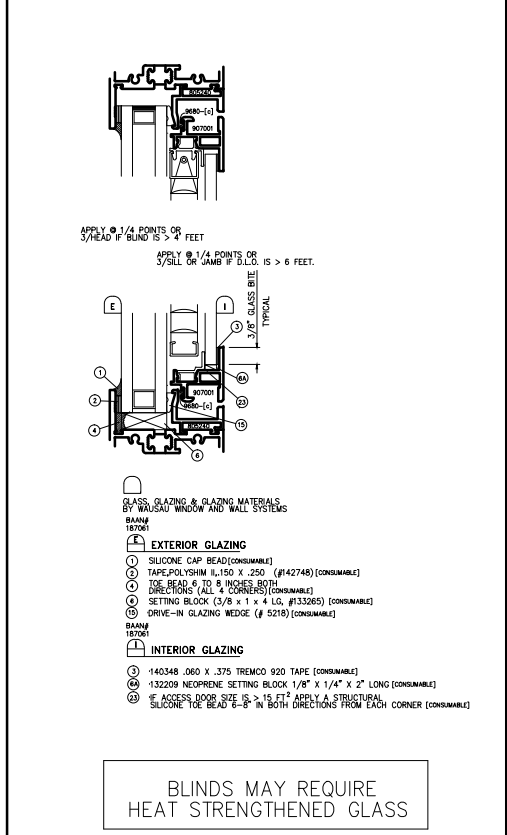


NOTES:

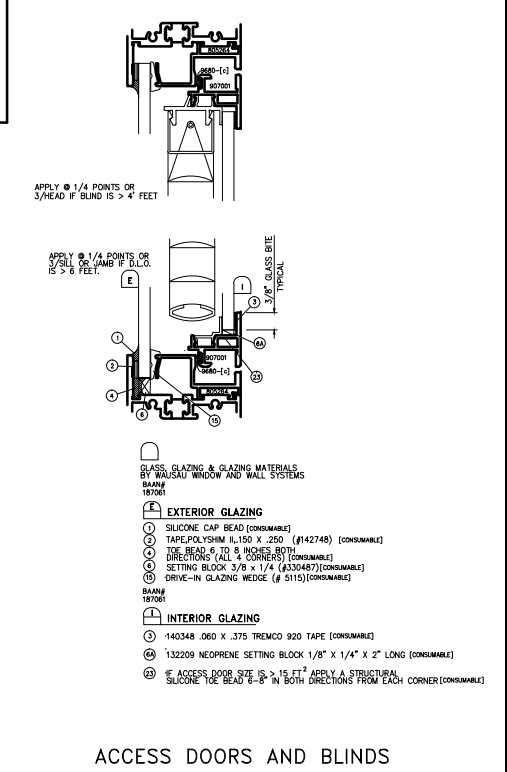
- SIZE LIMITATIONS
  - OPERABLE LITES: MAXIMUM CASEMENT 36" w X 60" h.
  - OPERABLE LITES: MAXIMUM AWNINGS & HOPPERS 60" w X 36" h.
  - FIXED LITES: MAXIMUM 60" w X 84" h.
- HARDWARE INFORMATION
  - S.S. 4-BAR HINGE, BUTT HINGE, CAMS, KEEPERS, CONCEALED LOCKS, ROTO'S, LIMIT STOPS.
  - 5/8" OR 1" BLINDS INSTALLED BY WAUSAU,
- AIR & WATER INFILTRATION
  - .1 cfm/ft @ 6.24 psf (vents)
  - 0.06 cfm/sqft @ 6.24psf (fixed)
  - 12 psf
- FRAME CONSTRUCTION
  - JAMBS RUN THROUGH.
- SASH CONSTRUCTION
  - MITERED, CORNER BLOCKED, AND CRIMPED.
- OPTIONAL: ACCESS DOORS AND SCREENS

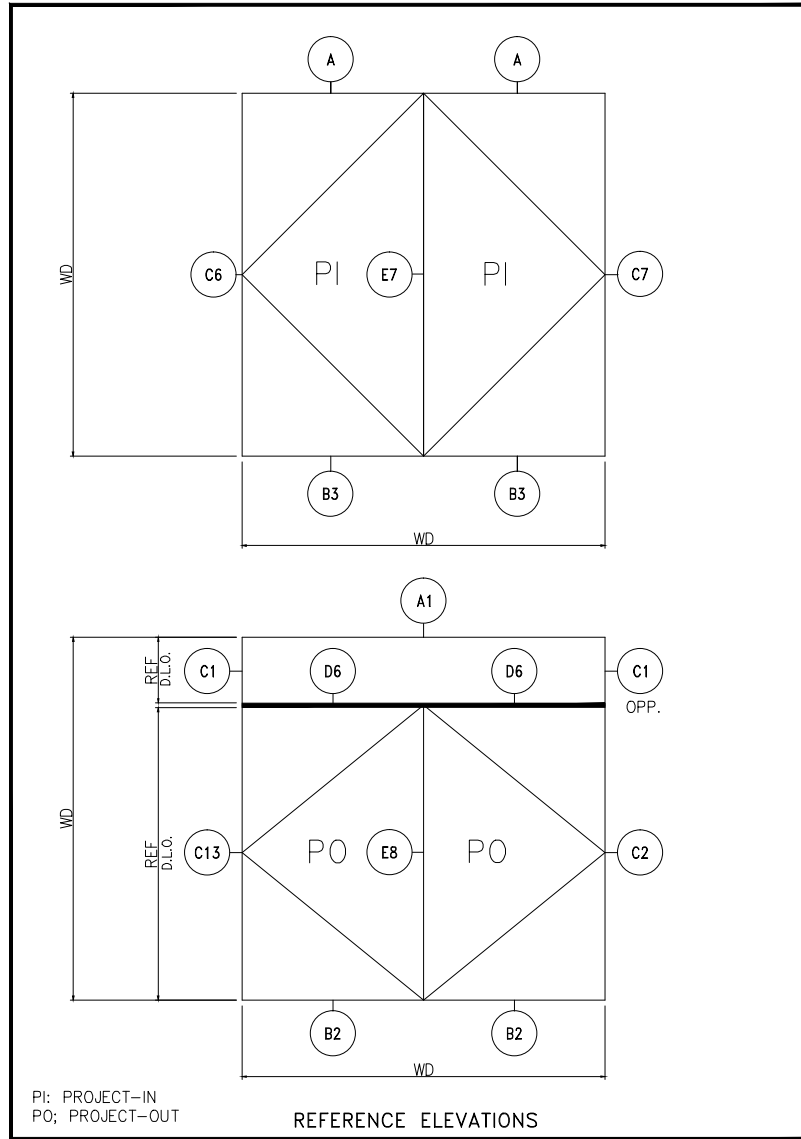


TRIPLE GLAZED W/5/8" BLINDS



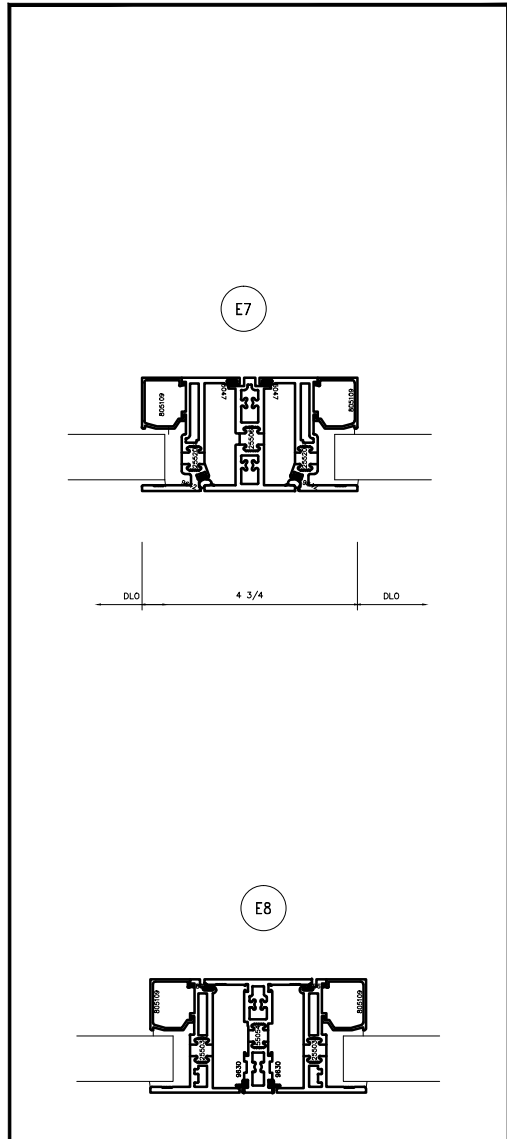
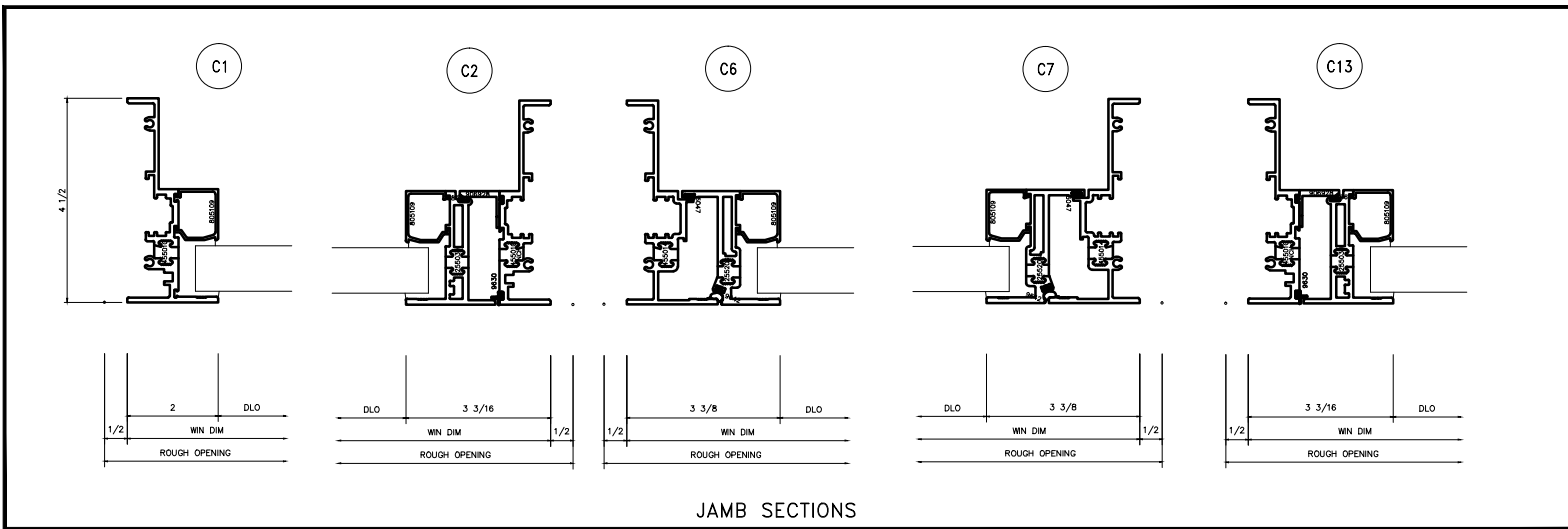
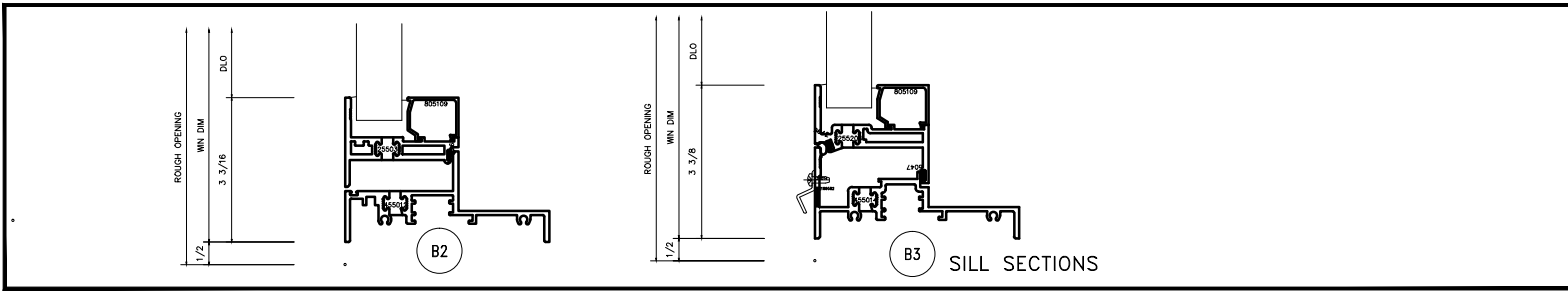
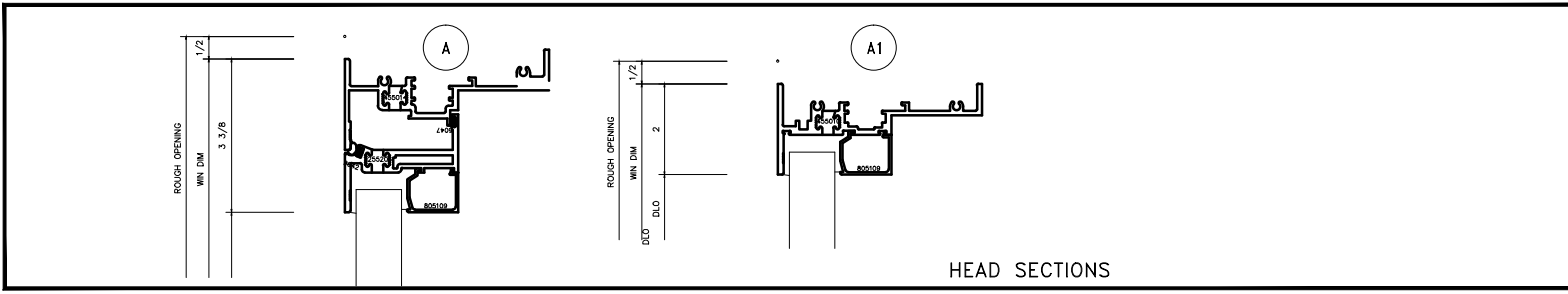
DUAL GLAZED W/1" BLINDS





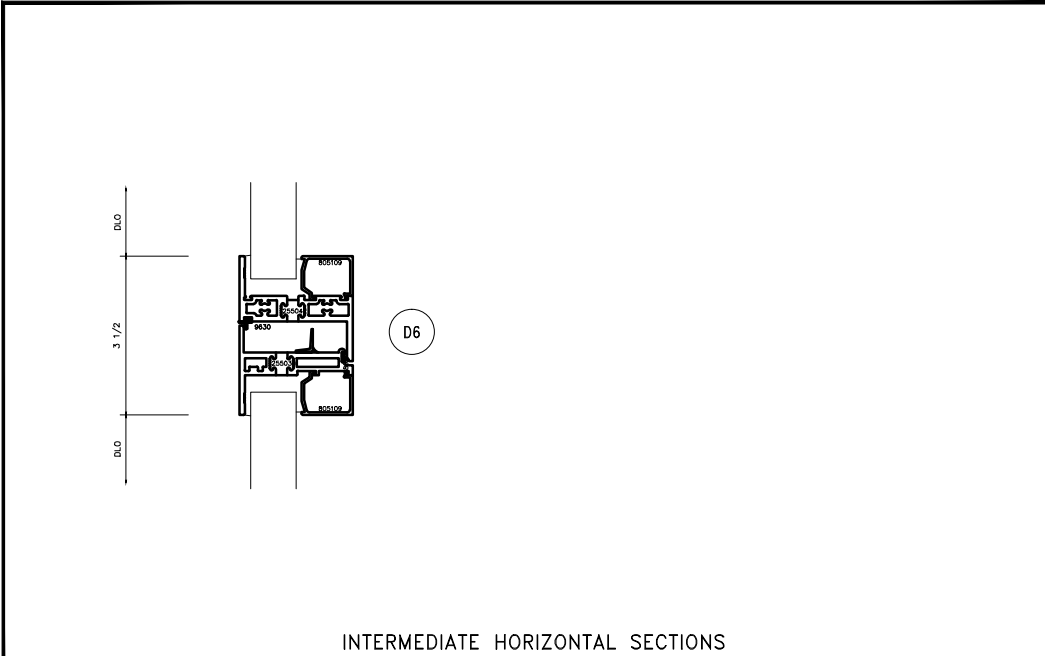
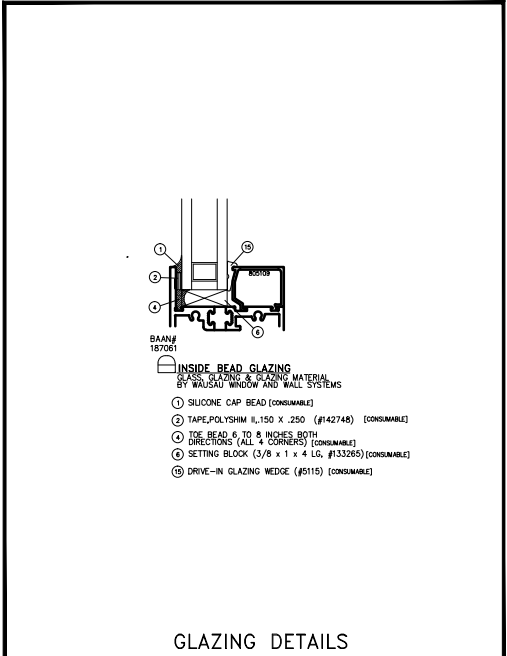
P1: PROJECT-IN  
P0: PROJECT-OUT

REFERENCE ELEVATIONS

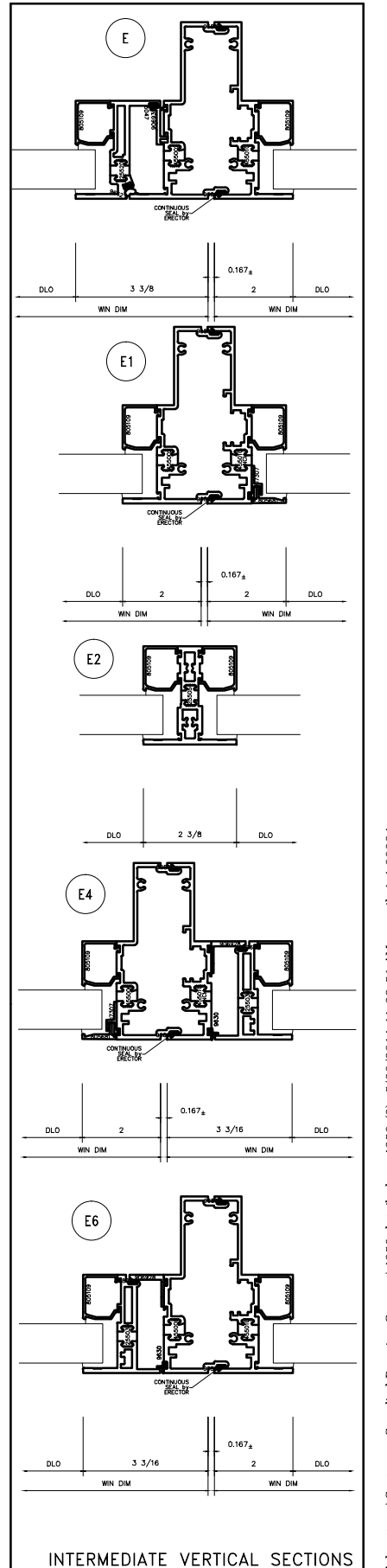
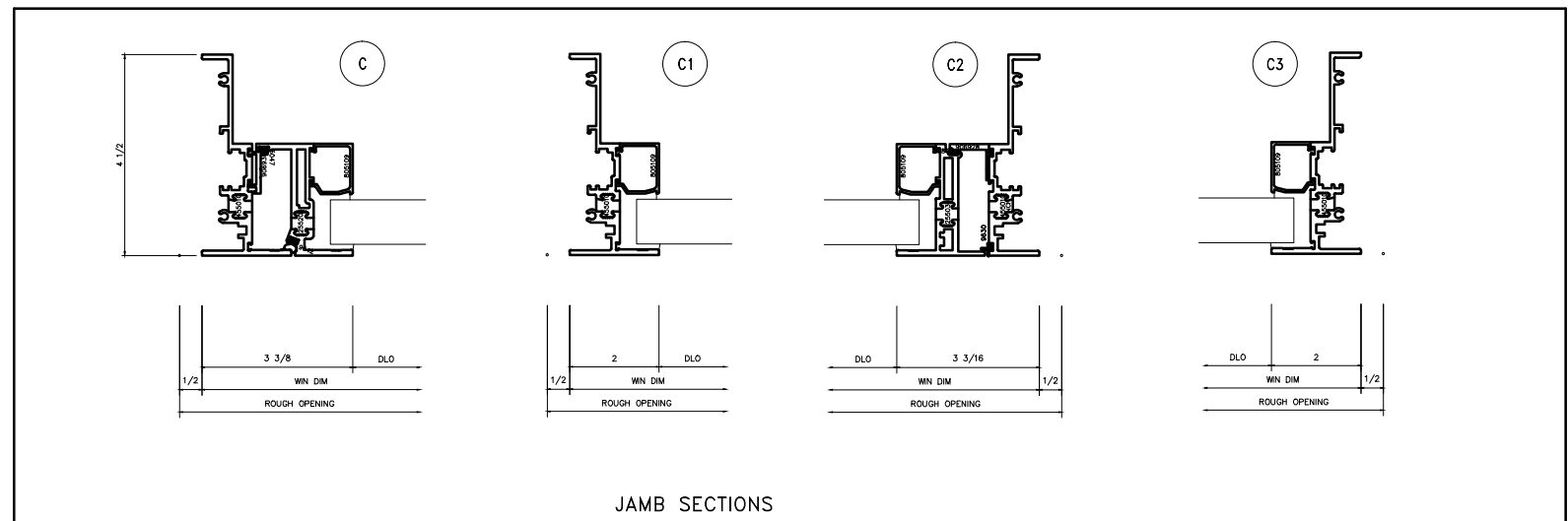
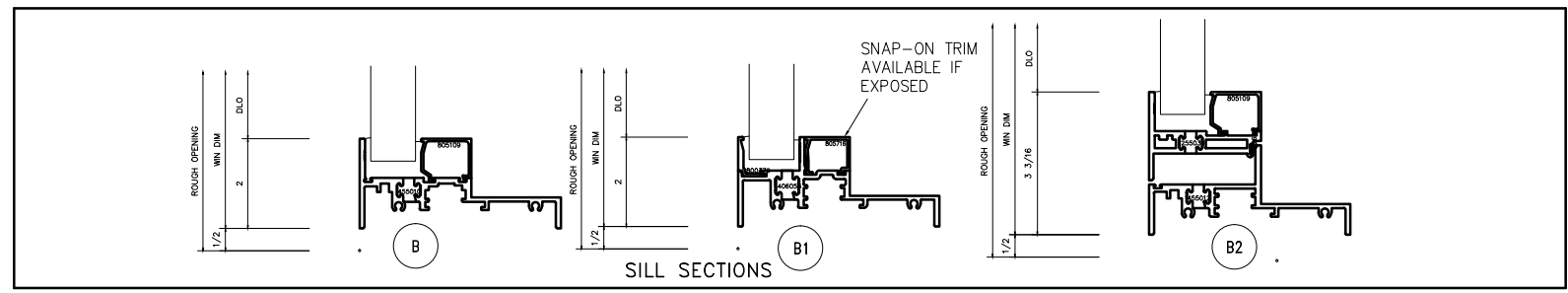
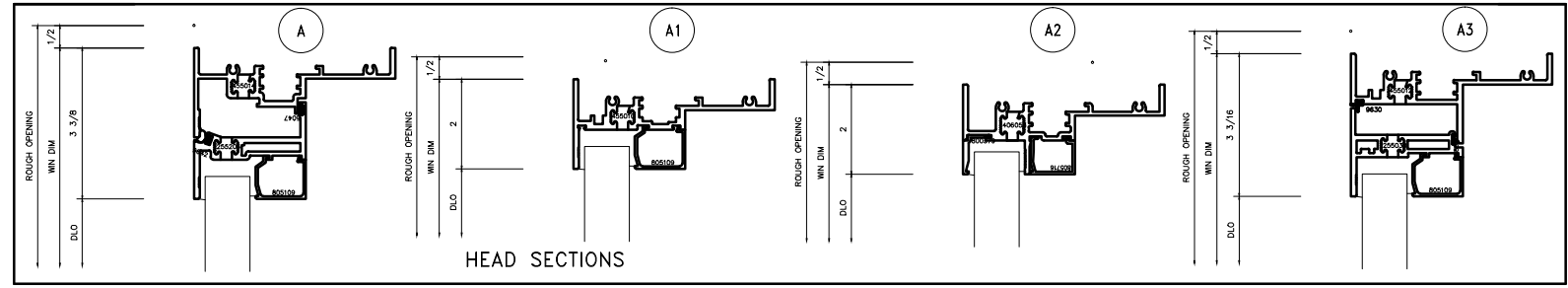
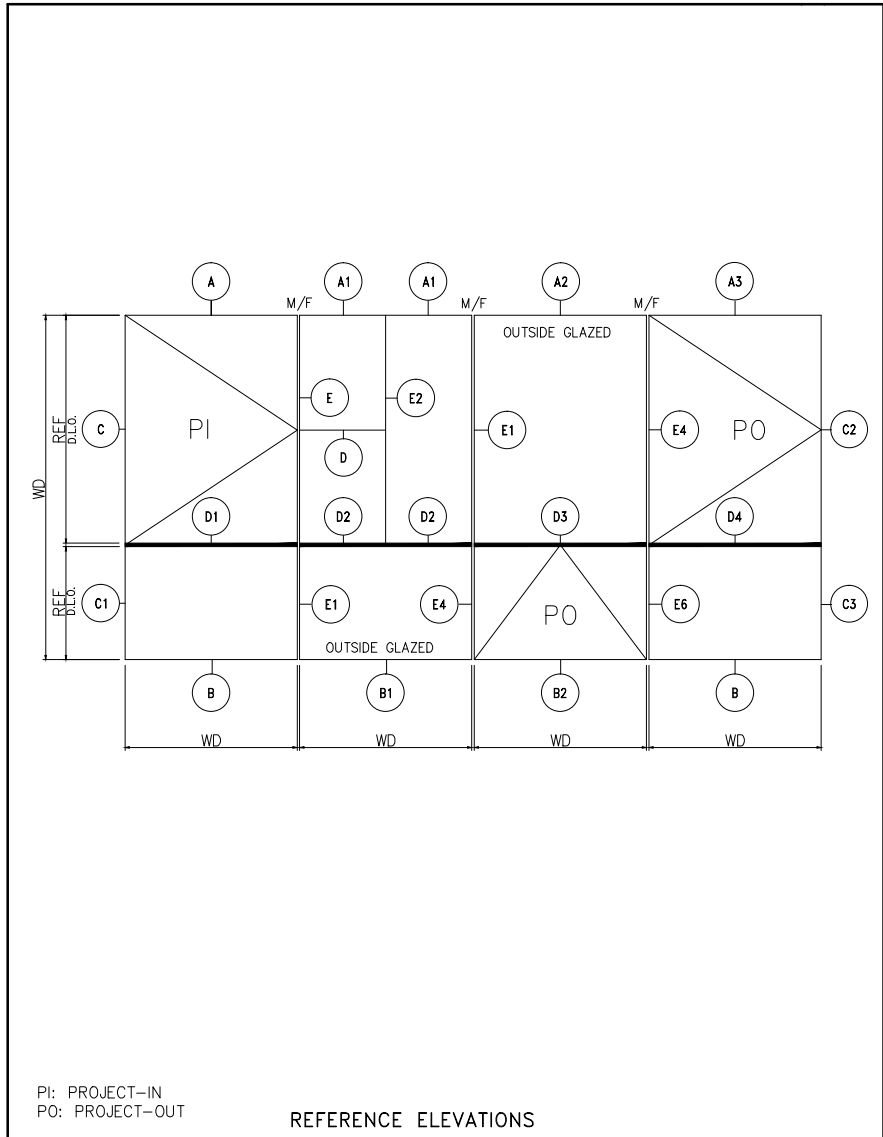


NOTES:

- SIZE LIMITATIONS
  - OPERABLE LITES: MAXIMUM CASEMENT 36" w X 60" h.
  - OPERABLE LITES: MAXIMUM AWNINGS & HOPPERS 60" w X 36" h.
  - FIXED LITES: MAXIMUM 60" w X 84" h.
- HARDWARE INFORMATION
  - S.S. 4-BAR HINGE, BUTT HINGE, CAMS, KEEPERS, CONCEALED LOCKS, ROTO'S, LIMIT STOPS.
  - 5/8" OR 1" BLINDS INSTALLED BY WAUSAU,
- AIR & WATER INFILTRATION
  - .1 cfm/ft @ 6.24 psf (vents)
  - 0.06 cfm/sqft @ 6.24psf (fixed)
  - 12 psf
- FRAME CONSTRUCTION
  - JAMBS RUN THROUGH.
- SASH CONSTRUCTION
  - MITERED, CORNER BLOCKED, AND CRIMPED.
- OPTIONAL: ACCESS DOORS AND SCREENS

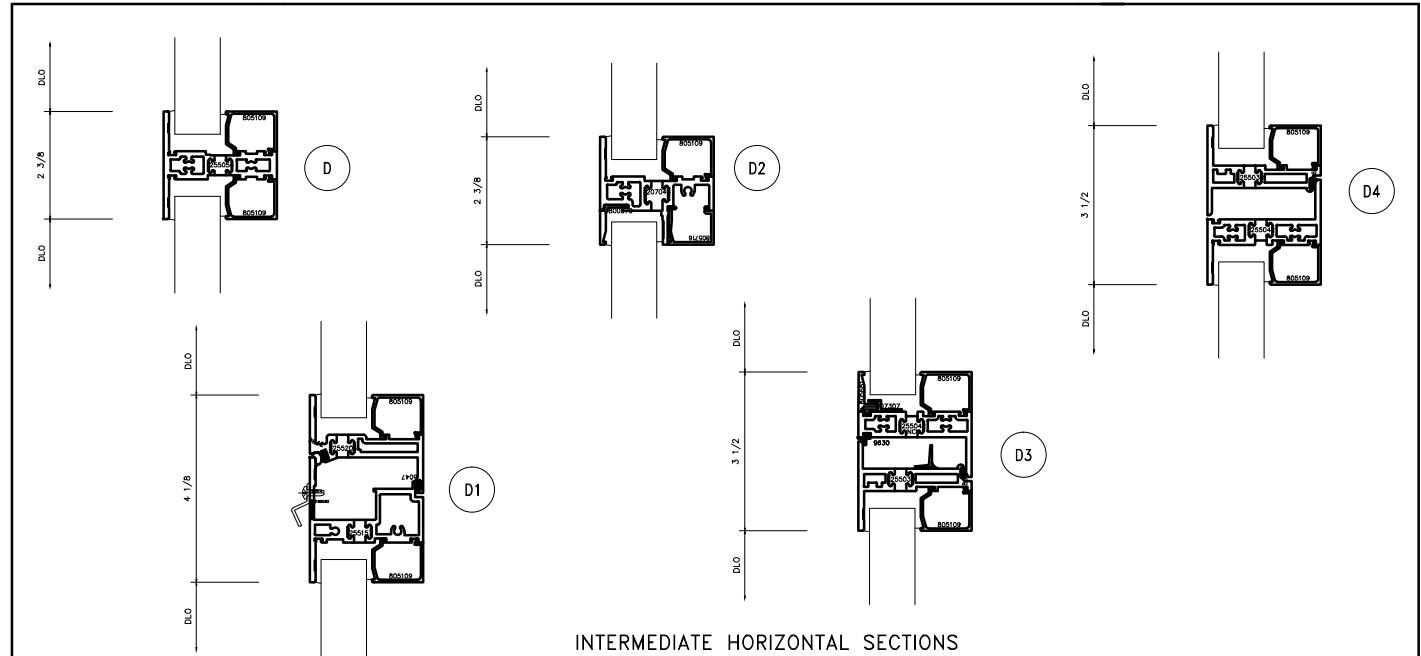
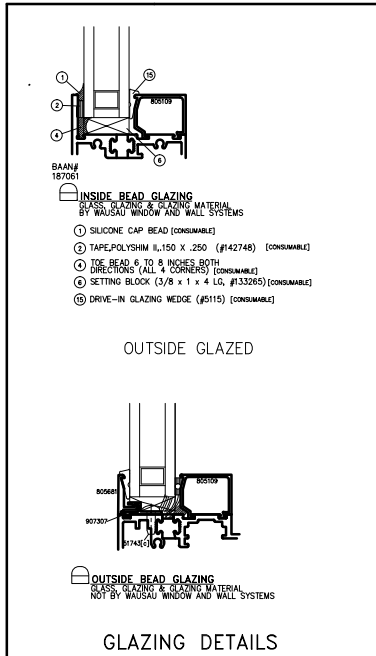






NOTES:

- SIZE LIMITATIONS
  - OPERABLE LITES: MAXIMUM CASEMENT 36" w X 60" h.
  - OPERABLE LITES: MAXIMUM AWNINGS & HOPPERS 60" w X 36" h.
  - FIXED LITES: MAXIMUM 60" w X 84" h.
- HARDWARE INFORMATION
  - S.S. 4-BAR HINGE, BUTT HINGE, CAMS, KEEPERS, CONCEALED LOCKS, ROTO'S, LIMIT STOPS.
  - 5/8" OR 1" BLINDS INSTALLED BY WAUSAU.
- AIR & WATER INFILTRATION
  - .1 cfm/ft @ 6.24 psf (vents)
  - 0.06 cfm/sqft @ 6.24psf (fixed)
  - 12 psf
- FRAME CONSTRUCTION
  - JAMBS RUN THROUGH.
- SASH CONSTRUCTION
  - MITERED, CORNER BLOCKED, AND CRIMPED.
- OPTIONAL: ACCESS DOORS AND SCREENS



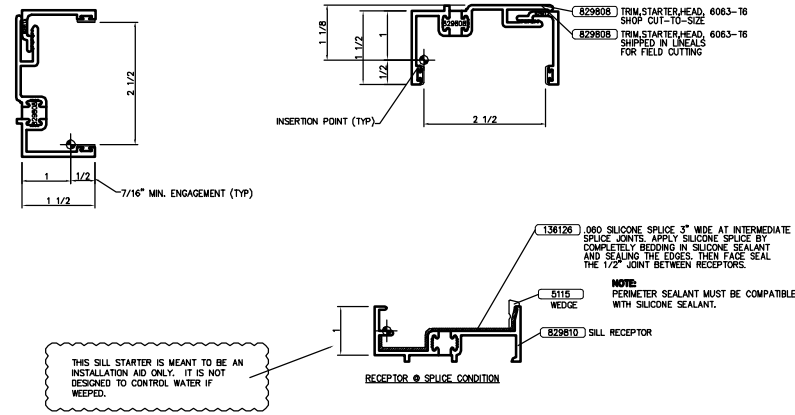
**ADVANTAGE**  
BY **WAUSAU**

SERIES:  
4250 (4 1/2" DEEP)

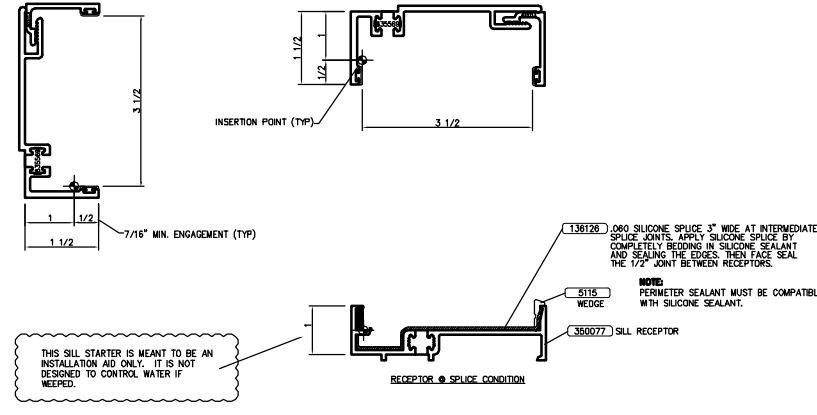
LAST UPDATED: 4/12/06

7800 International Drive  
P.O. Box 1746  
Wausau, WI 54402-1746

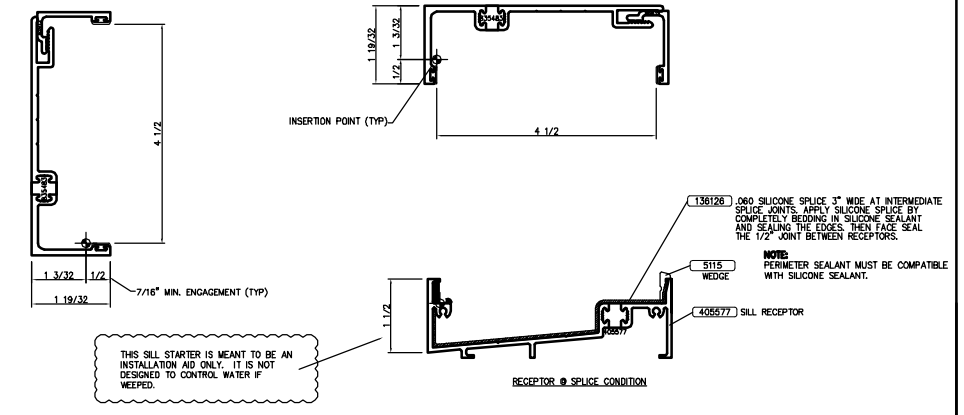
Phone: (715) 845-2161  
Fax: (715) 843-4350  
www.wausauwindow.com



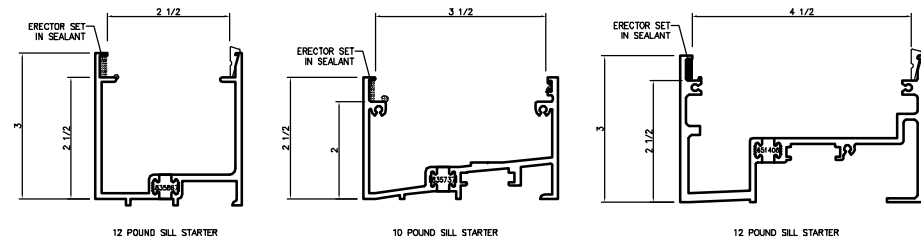
2250 Head, Jamb Receptors & Sill Starters



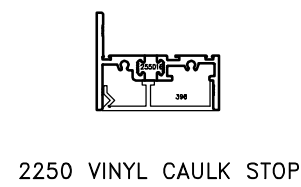
3250 Head, Jamb Receptors & Sill Starters



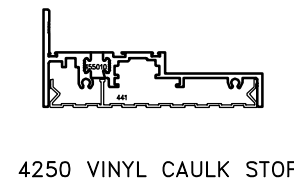
4250/4250os Head, Jamb Receptors & Sill Starters



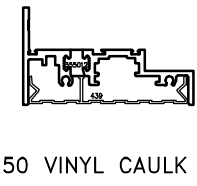
OPTIONAL SILL STARTERS FOR WATER CONTROL  
STARTERS WILL BE SENT IN LINEALS FOR FIELD CUTTING AND WEEPING UNLESS STATED OTHERWISE IN ABW QUOTE



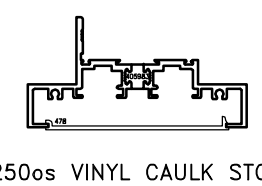
2250 VINYL CAULK STOP



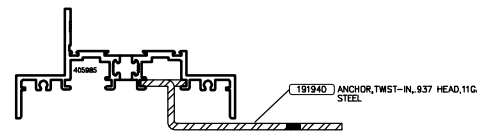
4250 VINYL CAULK STOP



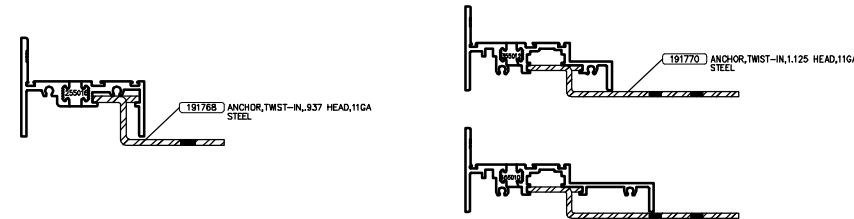
3250 VINYL CAULK STOP



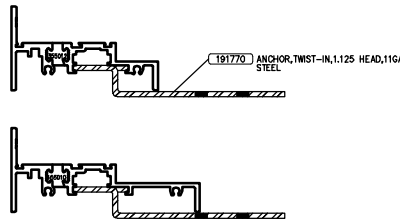
4250os VINYL CAULK STOP



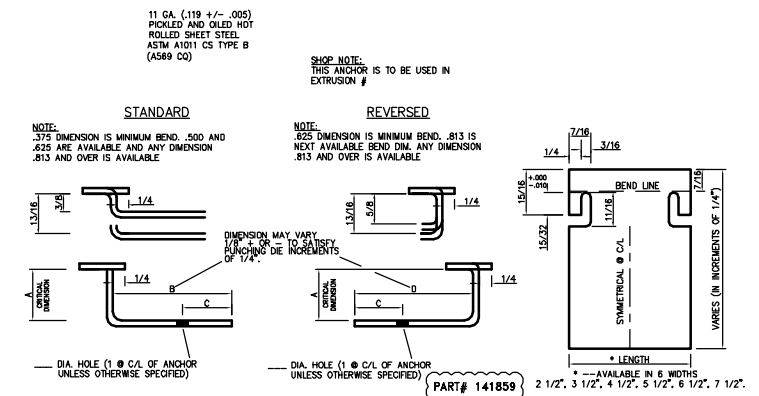
4250os ANCHOR



2250 ANCHOR



3250/4250 ANCHORS (TWIST-IN ONLY)



2250 & 4250 OS SLIDE-IN ANCHOR