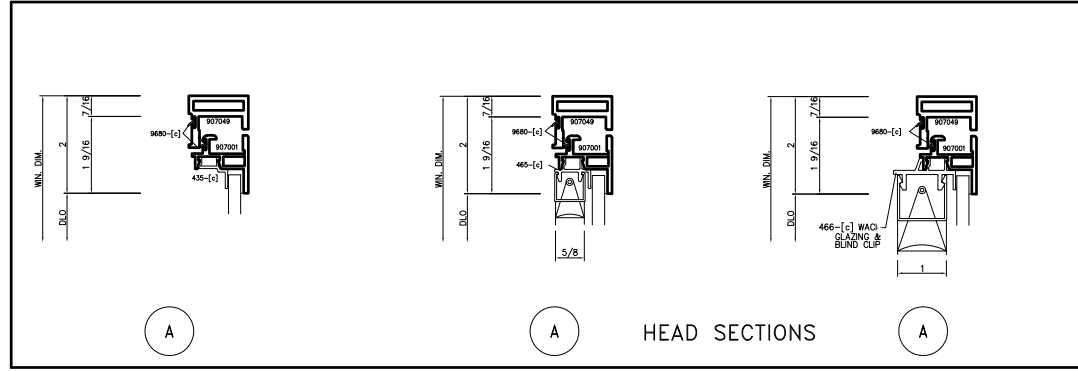
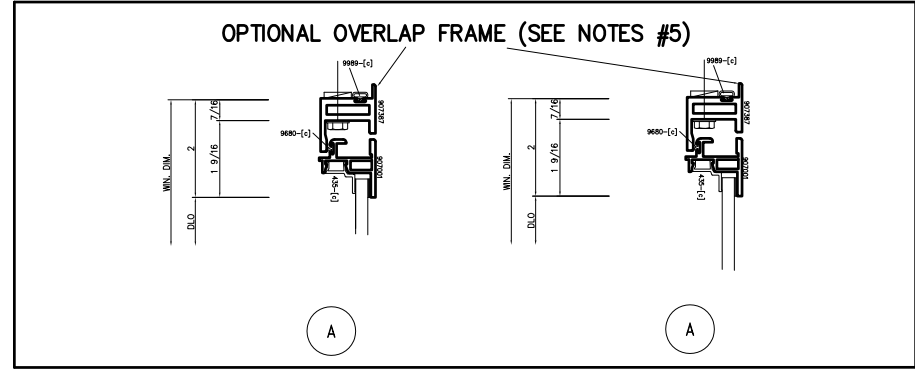


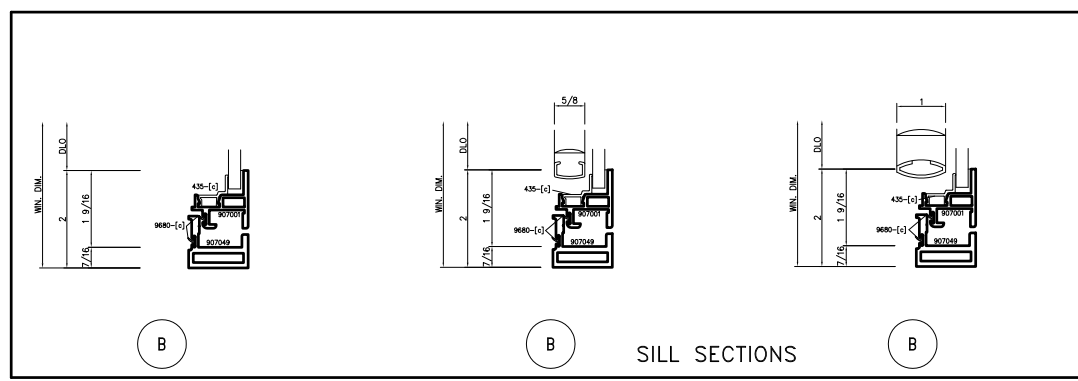
REFERENCE ELEVATIONS
ARE VIEWED FROM EXTERIOR



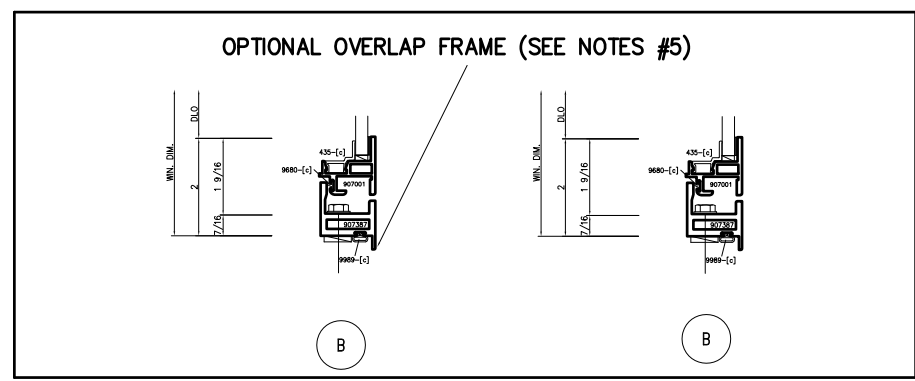
HEAD SECTIONS



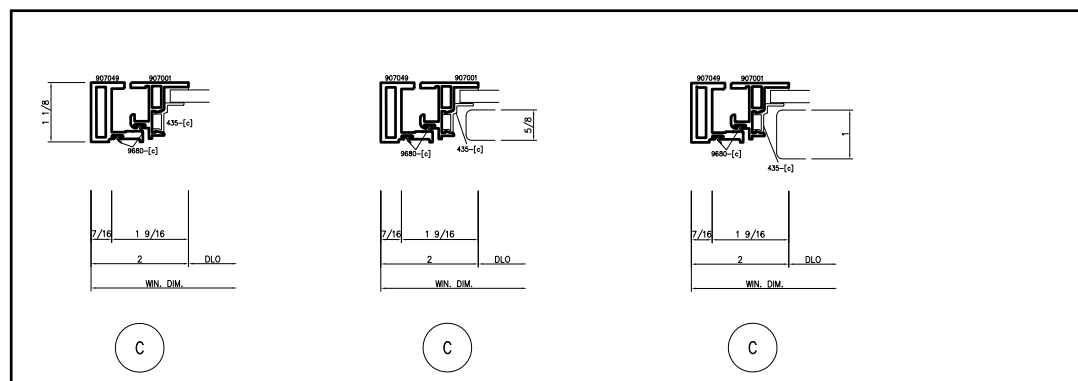
OPTIONAL OVERLAP FRAME (SEE NOTES #5)



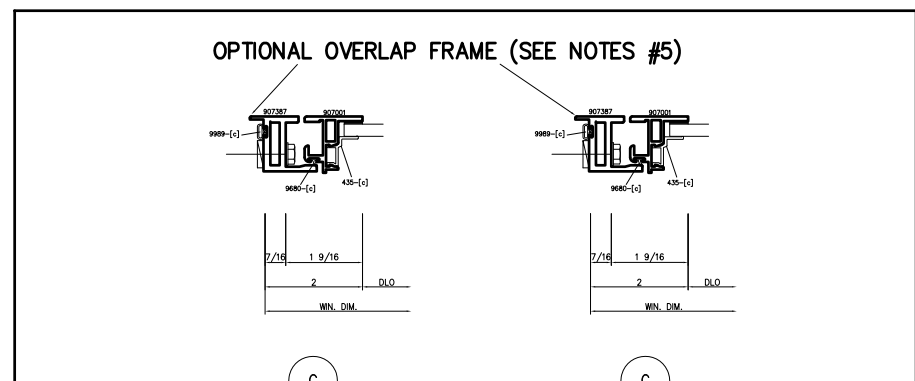
SILL SECTIONS



OPTIONAL OVERLAP FRAME (SEE NOTES #5)



JAMB SECTIONS



OPTIONAL OVERLAP FRAME (SEE NOTES #5)

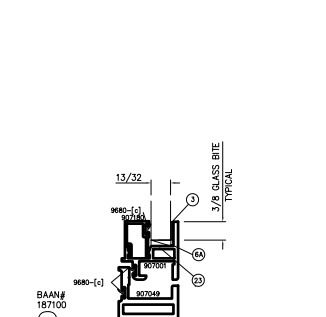
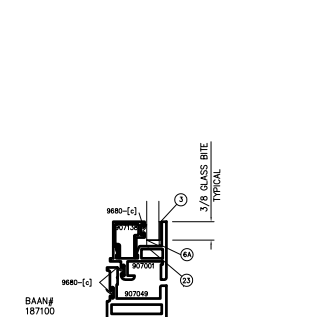
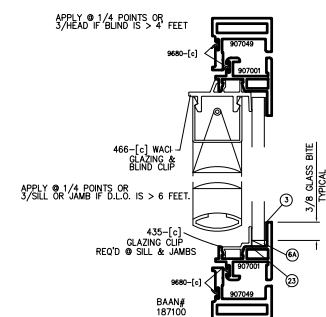
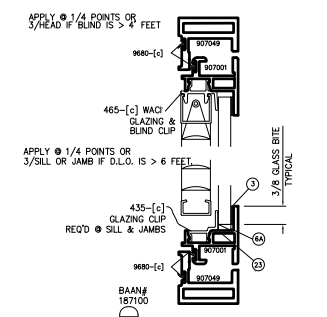
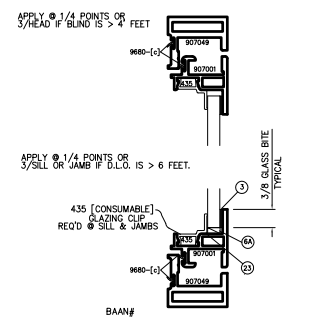
- NOTES:
1. SIZE LIMITATIONS
A. MINIMUM SIZE 12" w X 12" h
B. MAXIMUM SIZE 48" w X 72" h

2. FRAME CONSTRUCTION
A. MITERED, CORNER BLOCKED & CRIMPED

3. SASH CONSTRUCTION
A. MITERED, CORNER BLOCKED & CRIMPED

4. HARDWARE
A. CONCEALED LOCKS, CONCEALED HINGE.
B. BLINDS ARE INSTALLED @ W.W.W.

5. OVERLAP FRAME DIE #907387 CAN NOT BE USED WITH FRAME #907049



- BAAN# 187100
TYPICAL GLAZING
GLASS, GLAZING & GLAZING MATERIAL BY WAUSAU WINDOW AND WALL SYSTEMS
① (#140348) .062 X .375 TREMCO GT-920 TAPE [c]
② (#132209) NEOPRENE SETTING BLOCK 1/8" X 1/4" X 2" LONG [c]
③ IF ACCESS DOOR SIZE IS > 15 FT² APPLY A STRUCTURAL SILICONE TO BEAD 6"-8" IN BOTH DIRECTIONS FROM EACH CORNER. [c]

- BAAN# 187100
TYPICAL GLAZING
GLASS, GLAZING & GLAZING MATERIAL BY WAUSAU WINDOW AND WALL SYSTEMS
① (#140348) .062 X .375 TREMCO GT-920 TAPE [c]
② (#132209) NEOPRENE SETTING BLOCK 1/8" X 1/4" X 2" LONG [c]
③ IF ACCESS DOOR SIZE IS > 15 FT² APPLY A STRUCTURAL SILICONE TO BEAD 6"-8" IN BOTH DIRECTIONS FROM EACH CORNER. [c]

- BAAN# 187100
TYPICAL GLAZING
GLASS, GLAZING & GLAZING MATERIAL BY WAUSAU WINDOW AND WALL SYSTEMS
① (#140348) .062 X .375 TREMCO GT-920 TAPE [c]
② (#132209) NEOPRENE SETTING BLOCK 1/8" X 1/4" X 2" LONG [c]
③ IF ACCESS DOOR SIZE IS > 15 FT² APPLY A STRUCTURAL SILICONE TO BEAD 6"-8" IN BOTH DIRECTIONS FROM EACH CORNER. [c]

- BAAN# 187100
TYPICAL GLAZING
GLASS, GLAZING & GLAZING MATERIAL BY WAUSAU WINDOW AND WALL SYSTEMS
① (#140348) .062 X .375 TREMCO GT-920 TAPE [c]
② (#132209) NEOPRENE SETTING BLOCK 1/8" X 1/4" X 2" LONG [c]
③ IF ACCESS DOOR SIZE IS > 15 FT² APPLY A STRUCTURAL SILICONE TO BEAD 6"-8" IN BOTH DIRECTIONS FROM EACH CORNER. [c]

- BAAN# 187100
TYPICAL GLAZING
GLASS, GLAZING & GLAZING MATERIAL BY WAUSAU WINDOW AND WALL SYSTEMS
① (#140348) .062 X .375 TREMCO GT-920 TAPE [c]
② (#132209) NEOPRENE SETTING BLOCK 1/8" X 1/4" X 2" LONG [c]
③ IF ACCESS DOOR SIZE IS > 15 FT² APPLY A STRUCTURAL SILICONE TO BEAD 6"-8" IN BOTH DIRECTIONS FROM EACH CORNER. [c]

GLAZING DETAILS