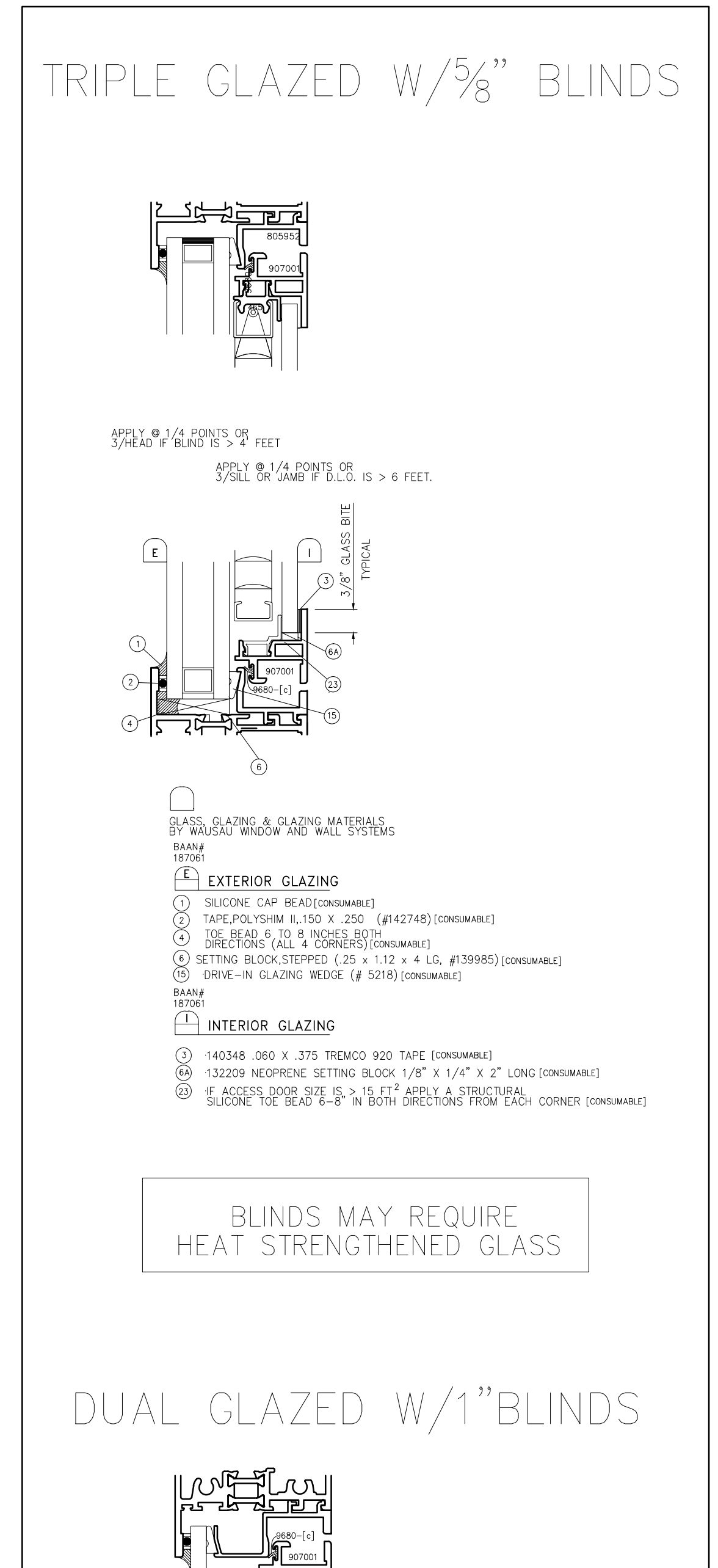
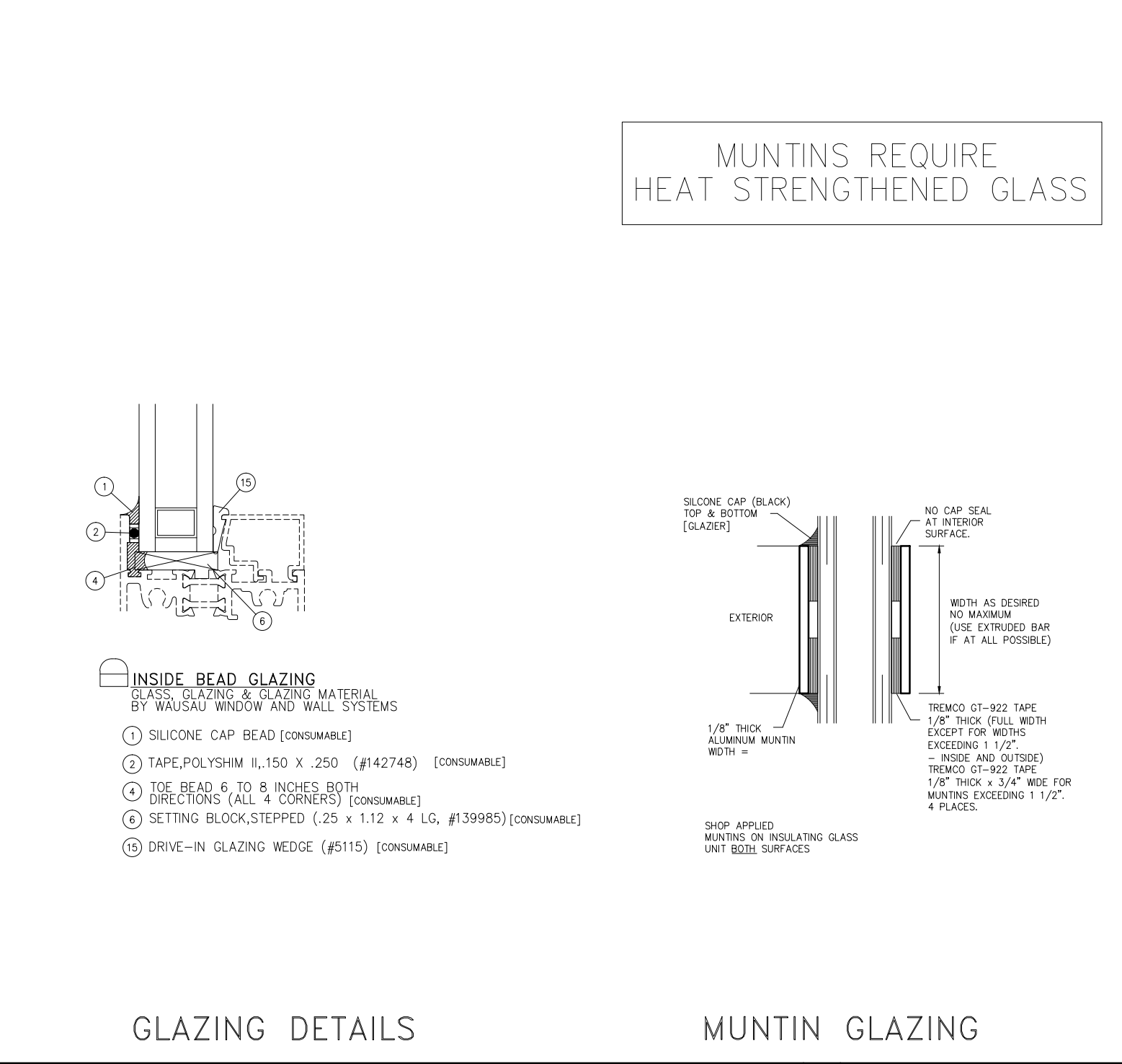
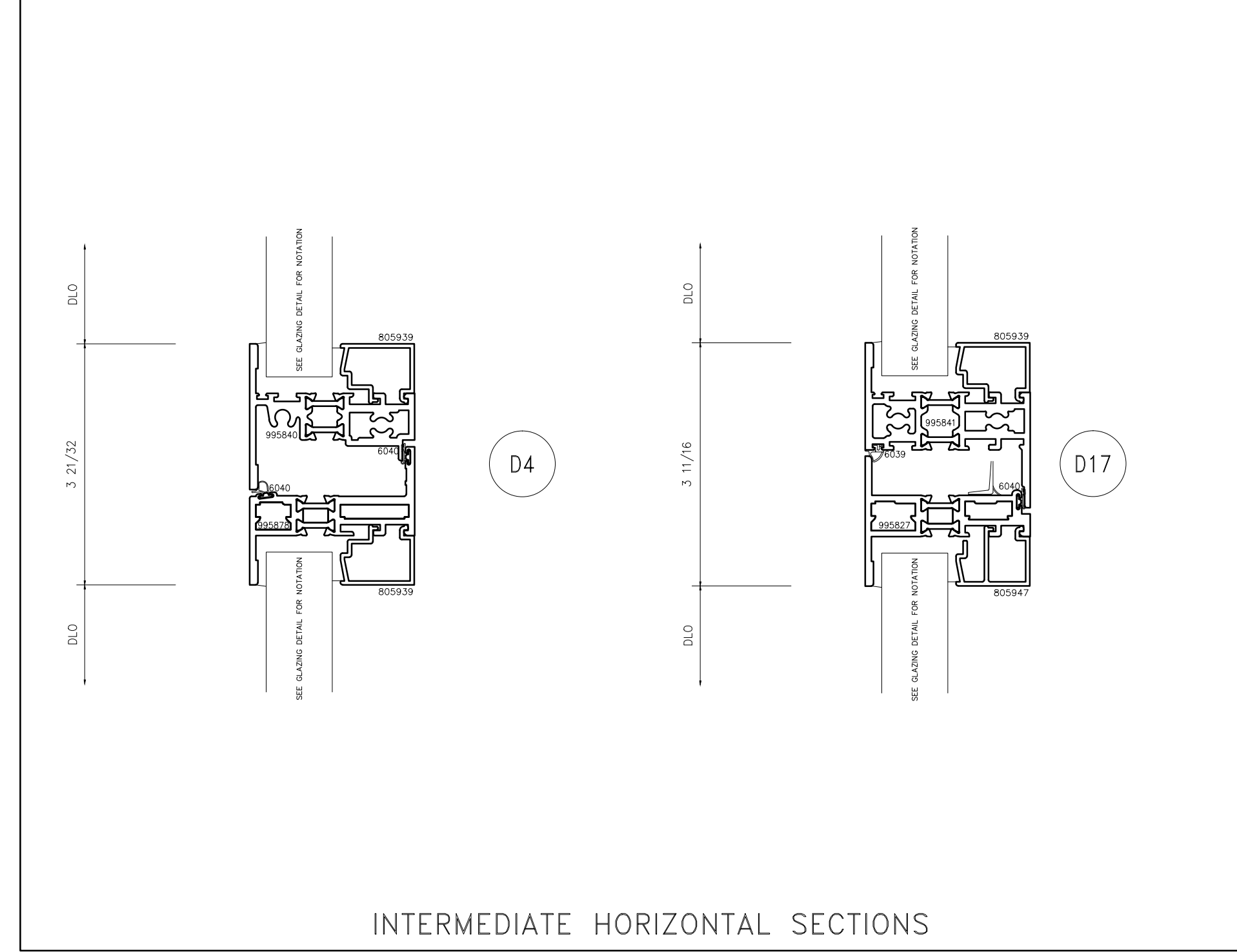


**NOTES:**

- SIZE LIMITATIONS**
  - OPERABLE LITES: MAXIMUM CASEMENT 36" w X 60" h.
  - OPERABLE LITES: MAXIMUM AWNINGS & HOPPERS 60" w X 36" h.
  - FIXED LITES: MAXIMUM 60" w X 84" h.
- HARDWARE INFORMATION**
  - S.S. 4-BAR HINGE, BUTT HINGE, CAMS, KEEPERS, CONCEALED LOCKS, ROTO'S, LIMIT STOPS.
  - 5/8" OR 1" BLINDS INSTALLED BY WAUSAU.
- AIR & WATER INFILTRATION**
  - .1 cfm/ft @ 6.24 psf (vents)
  - 0.06 cfm/sqft @ 6.24psf (fixed)
  - 12 psf
- FRAME CONSTRUCTION**
  - JAMBS RUN THROUGH.
- SASH CONSTRUCTION**
  - MITERED, CORNER BLOCKED, AND CRIMPED.
- OPTIONAL: ACCESS DOORS AND SCREENS**



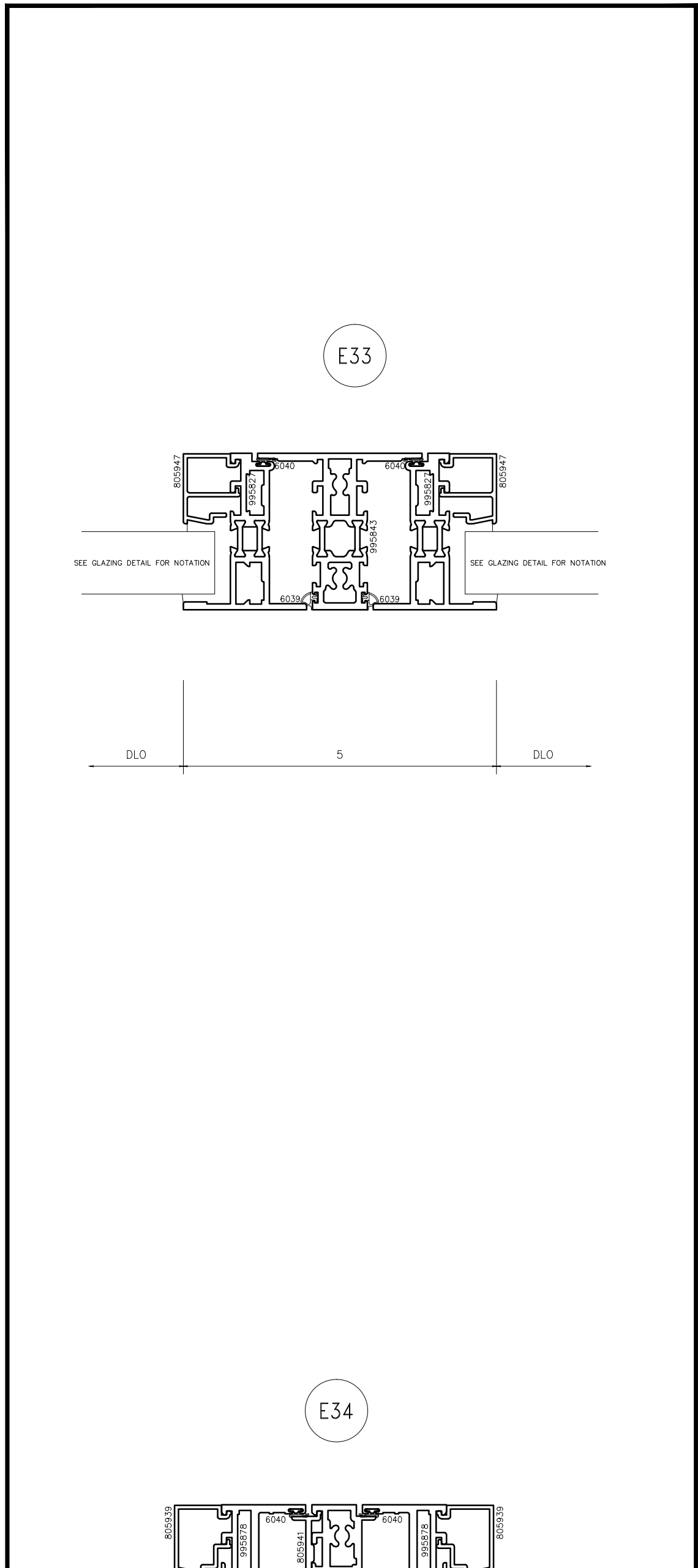
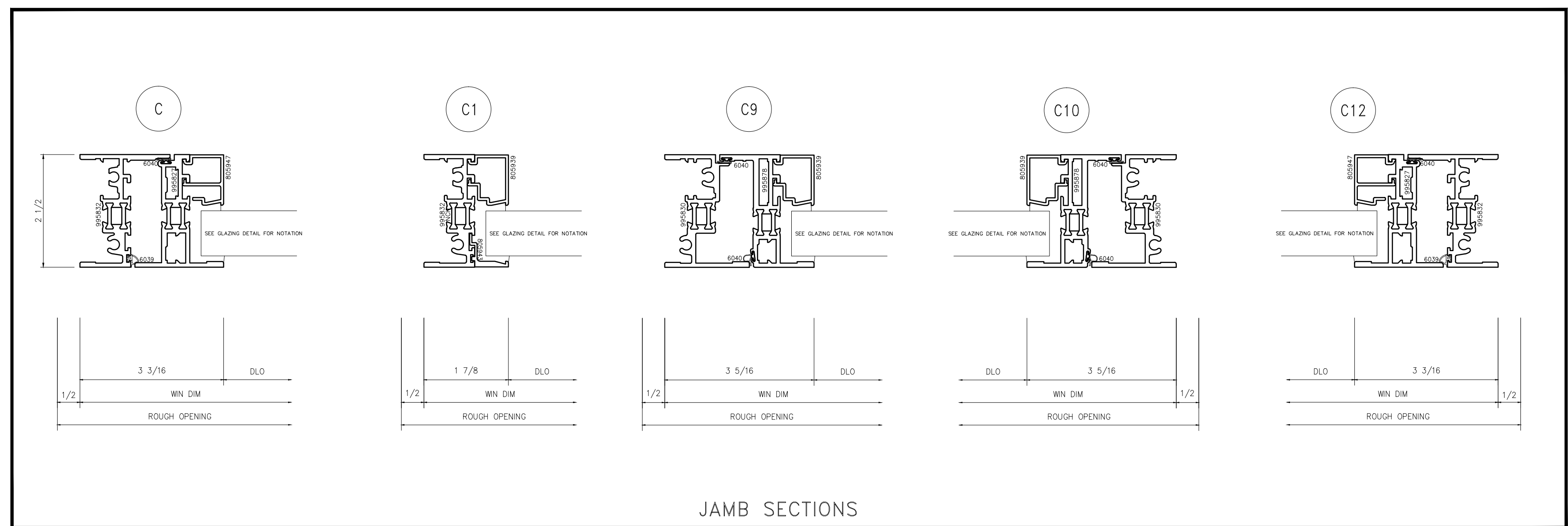
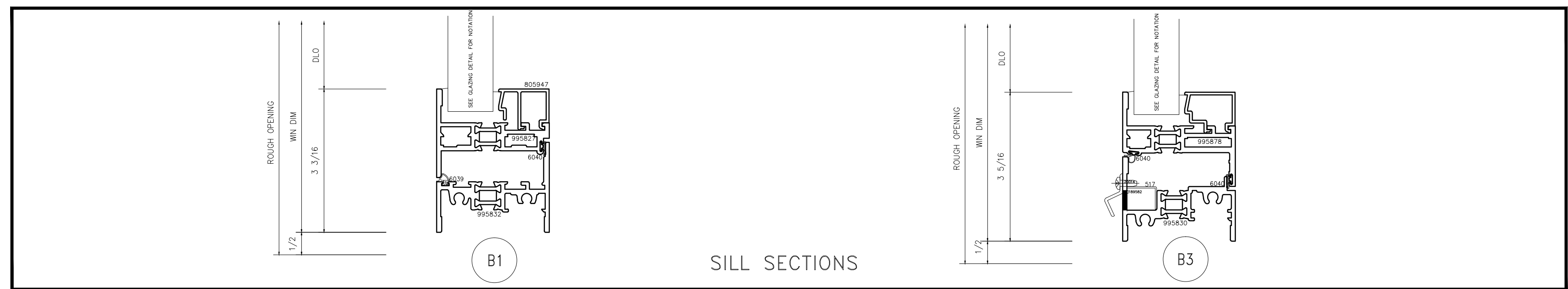
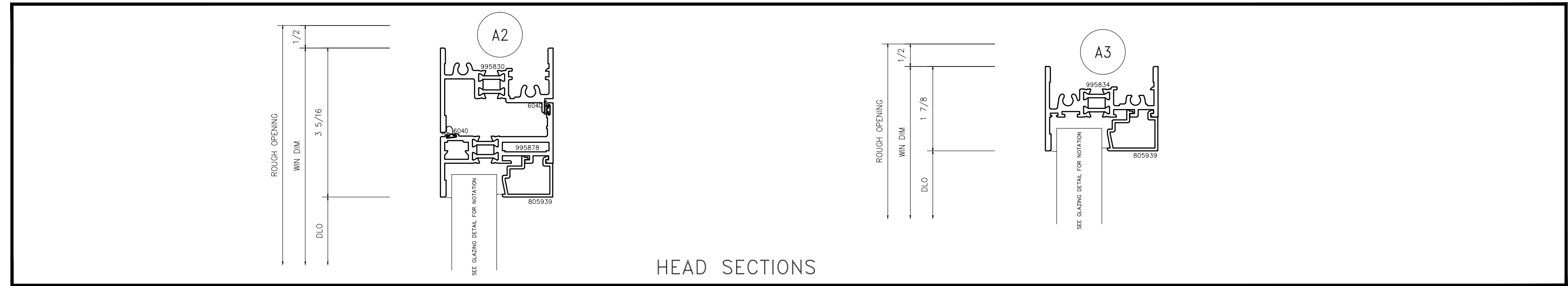
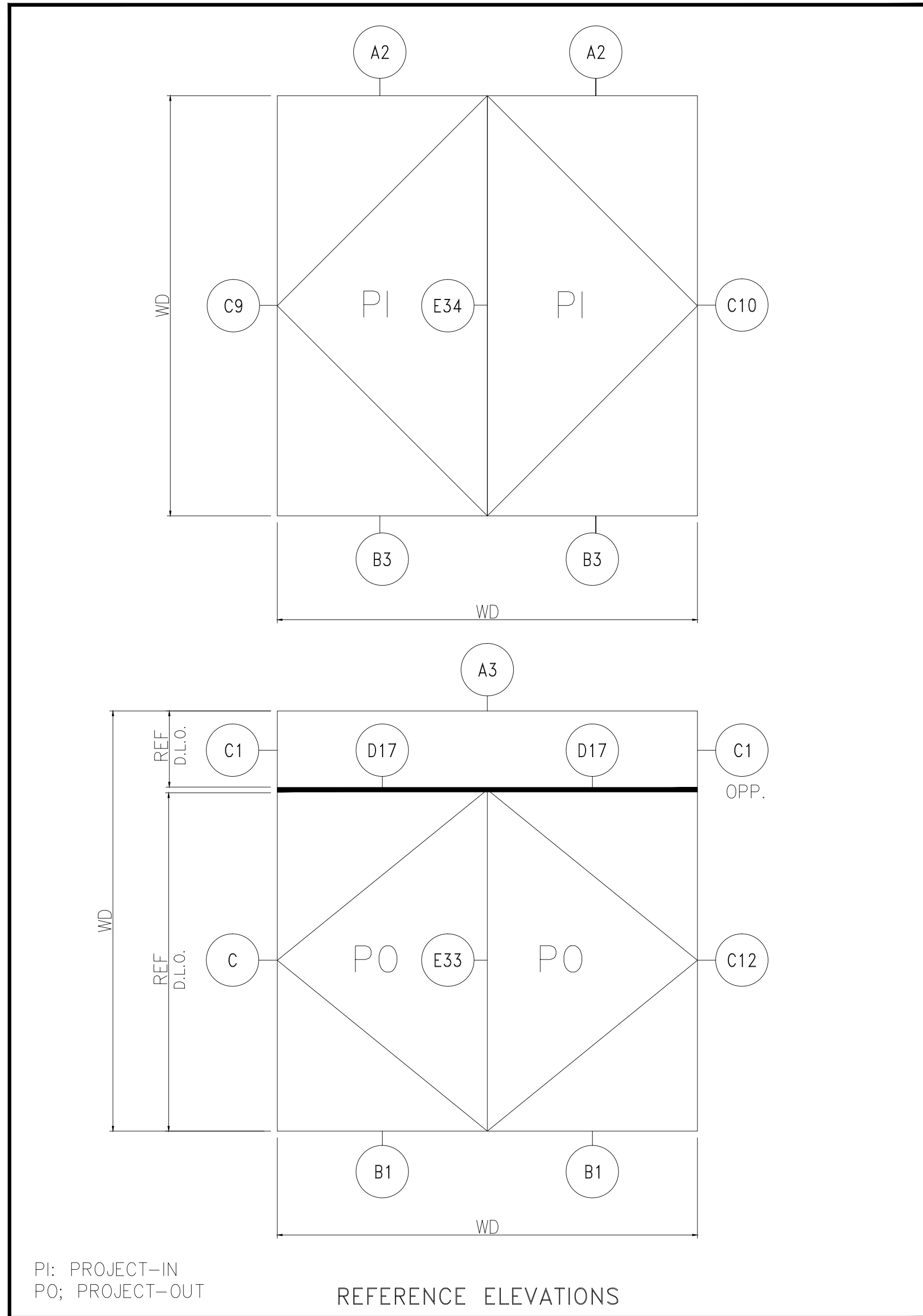
**ADVANTAGE**  
BY WAUSAU

**SERIES:**  
2250i INVENT (2 1/2" DEEP)

7800 International Drive  
P.O. Box 1746  
Wausau, WI 54402-1746

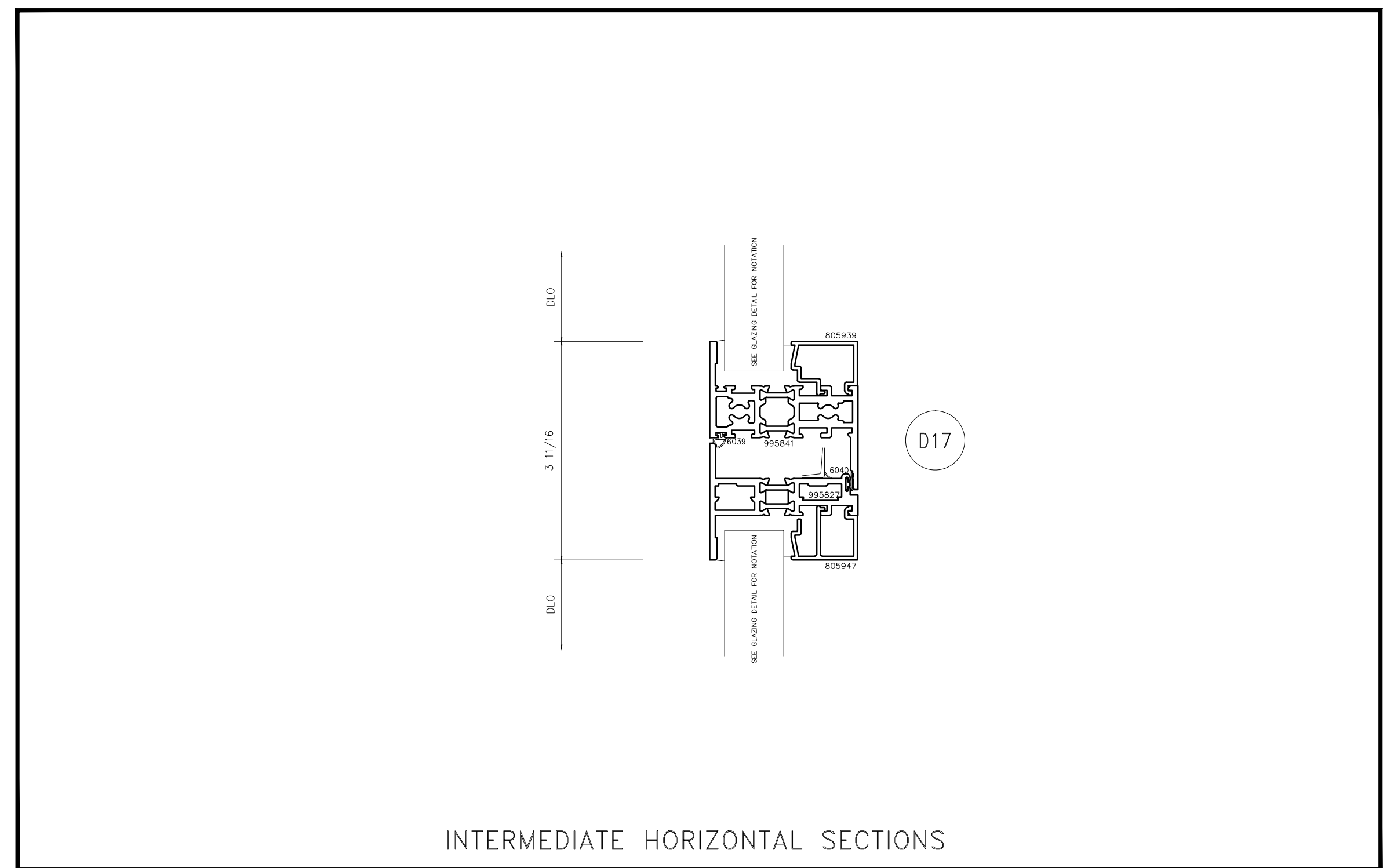
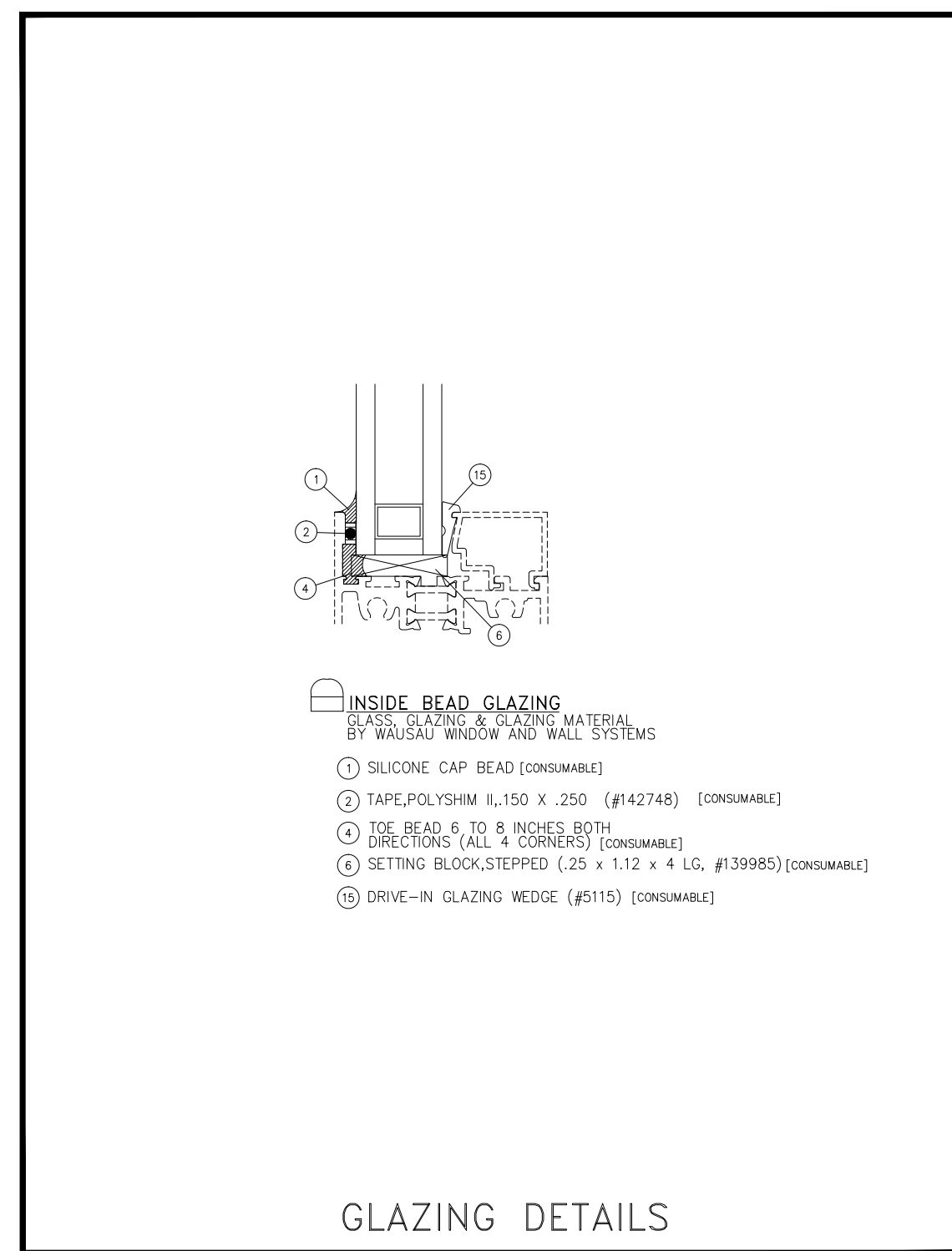
Phone: (715) 845-2161  
Fax: (715) 843-4350  
www.wausauwindow.com

LAST UPDATED: 01/21/10



NOTES:

- SIZE LIMITATIONS
  - OPERABLE LITES: MAXIMUM CASEMENT 36" w X 60" h.
  - OPERABLE LITES: MAXIMUM AWNINGS & HOPPERS 60" w X 36" h.
  - FIXED LITES: MAXIMUM 60" w X 84" h.
- HARDWARE INFORMATION
  - S.S. 4-BAR HINGE, BUTT HINGE, CAMS, KEEPERS, CONCEALED LOCKS, ROTO'S, LIMIT STOPS.
  - 5/8" OR 1" BLINDS INSTALLED BY WAUSAU,
- AIR & WATER INFILTRATION
  - .1 cfm/ft @ 6.24 psf (vents)
  - 0.06 cfm/sqft @ 6.24psf (fixed)
  - 12 psf
- FRAME CONSTRUCTION
  - JAMBS RUN THROUGH.
- SASH CONSTRUCTION
  - MITERED, CORNER BLOCKED, AND CRIMPED.
- OPTIONAL: ACCESS DOORS AND SCREENS



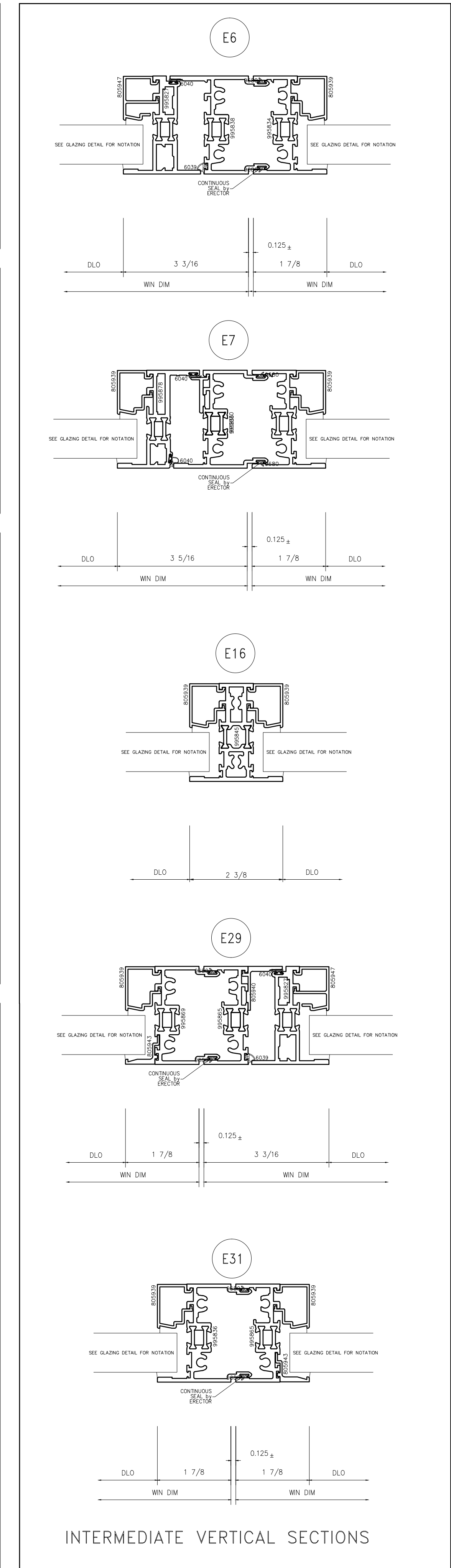
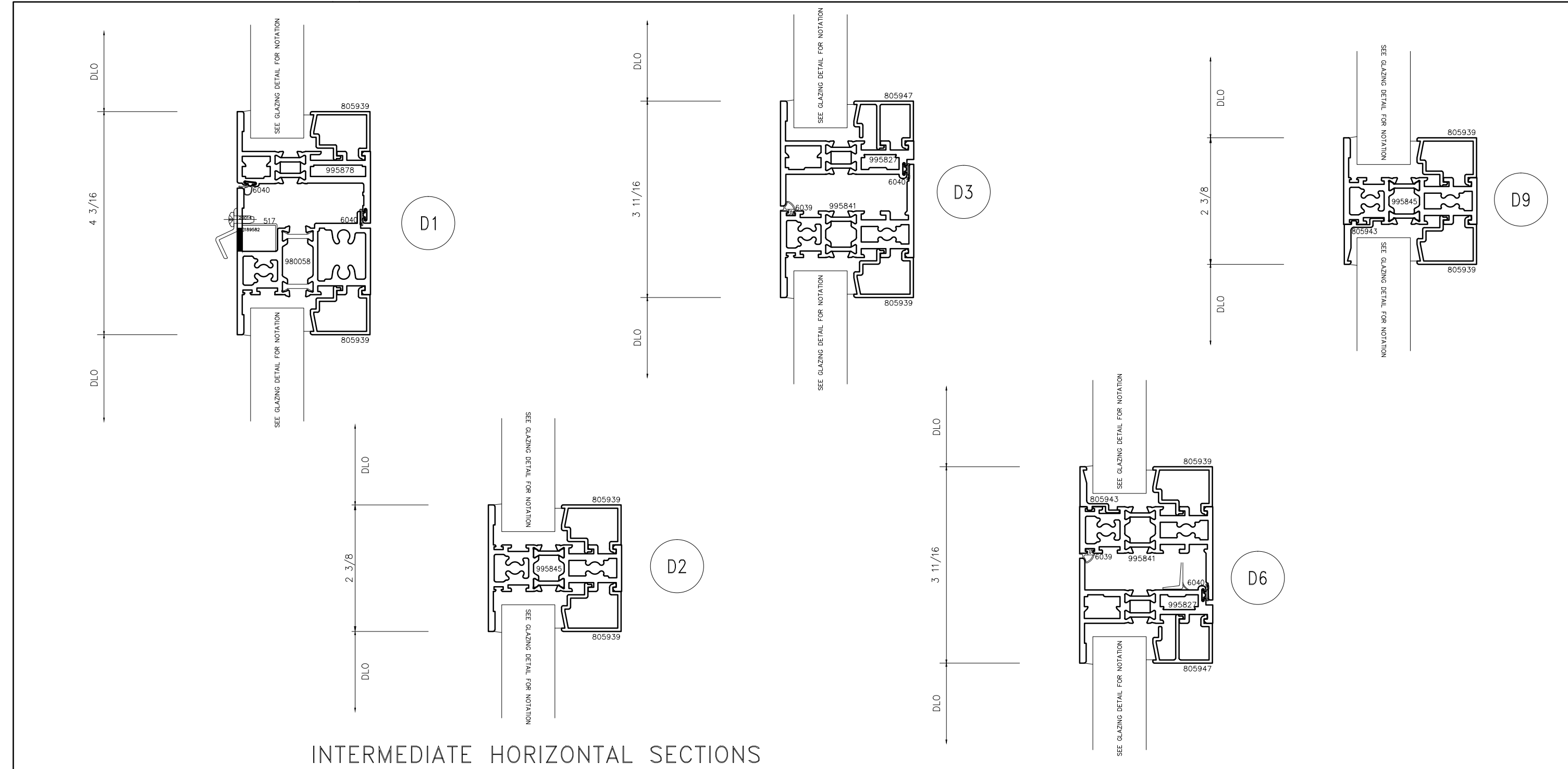
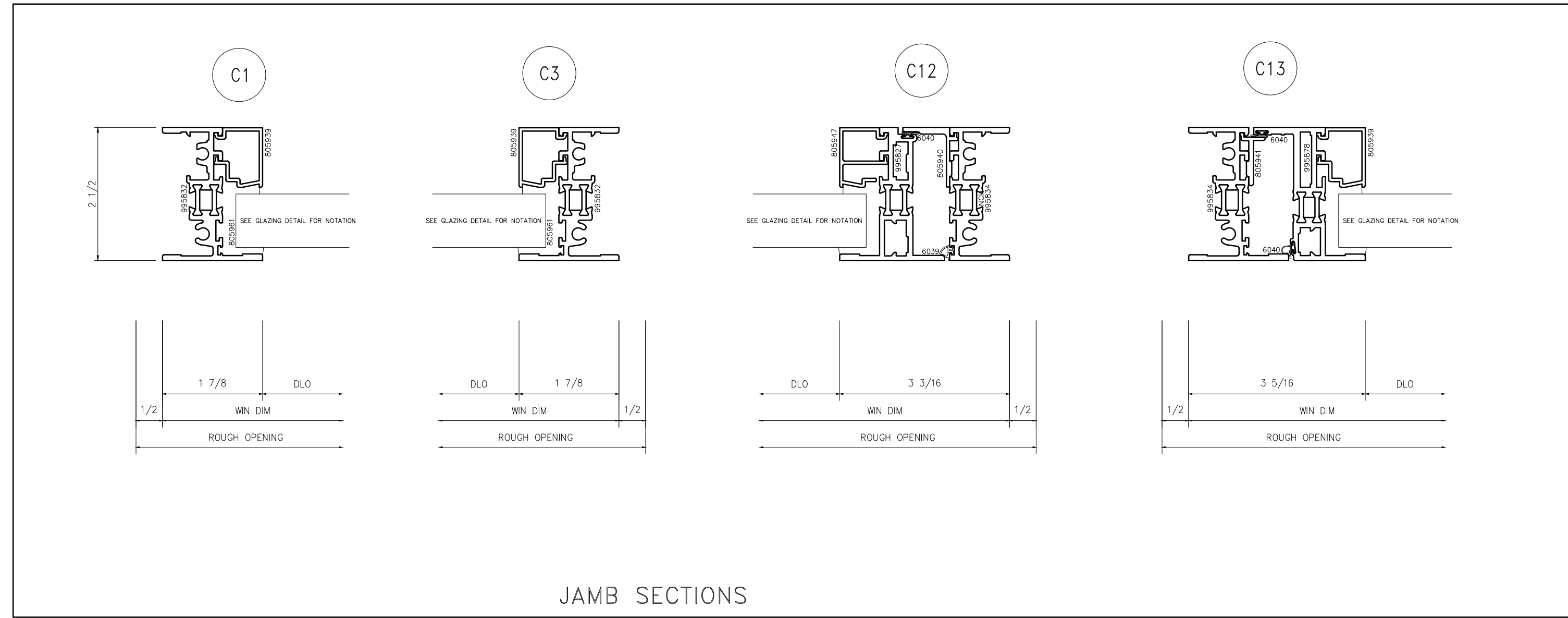
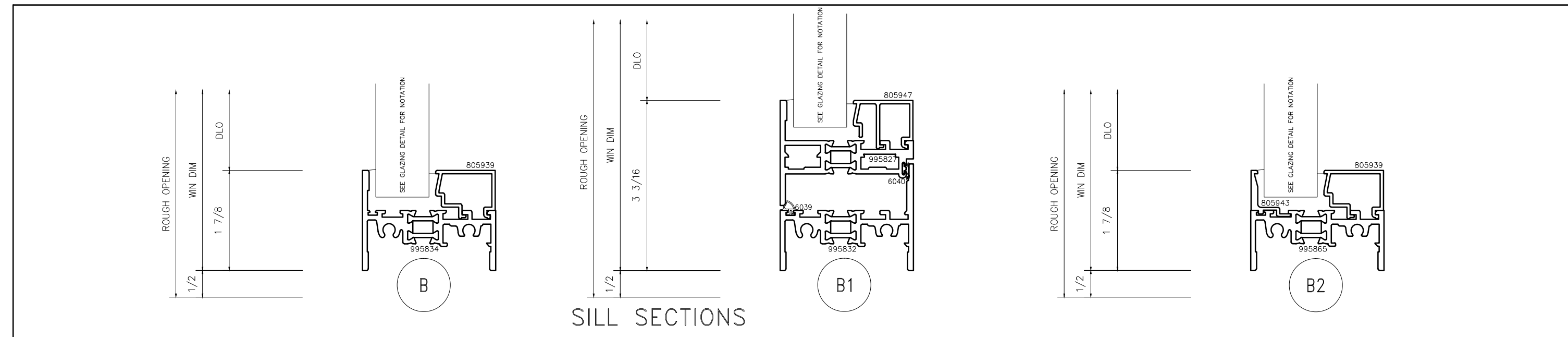
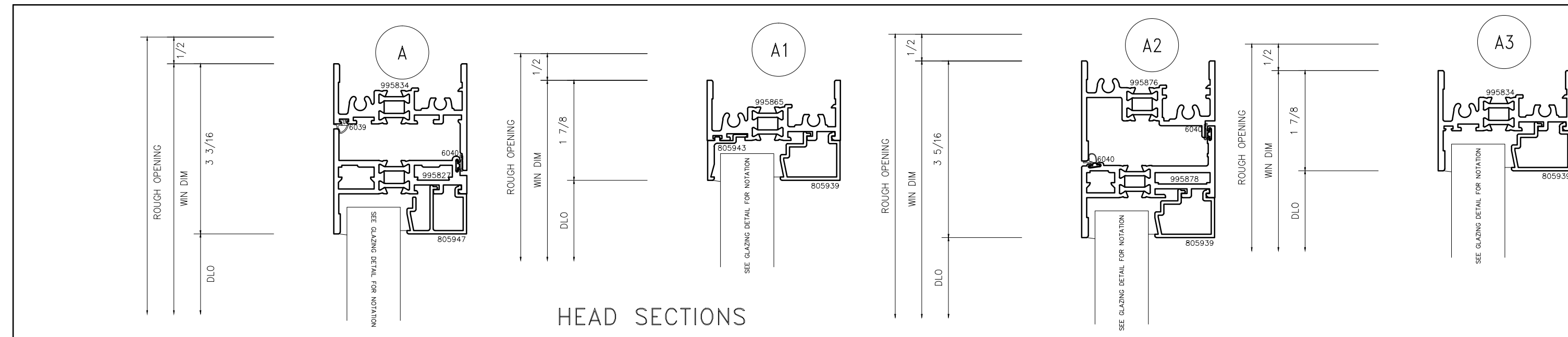
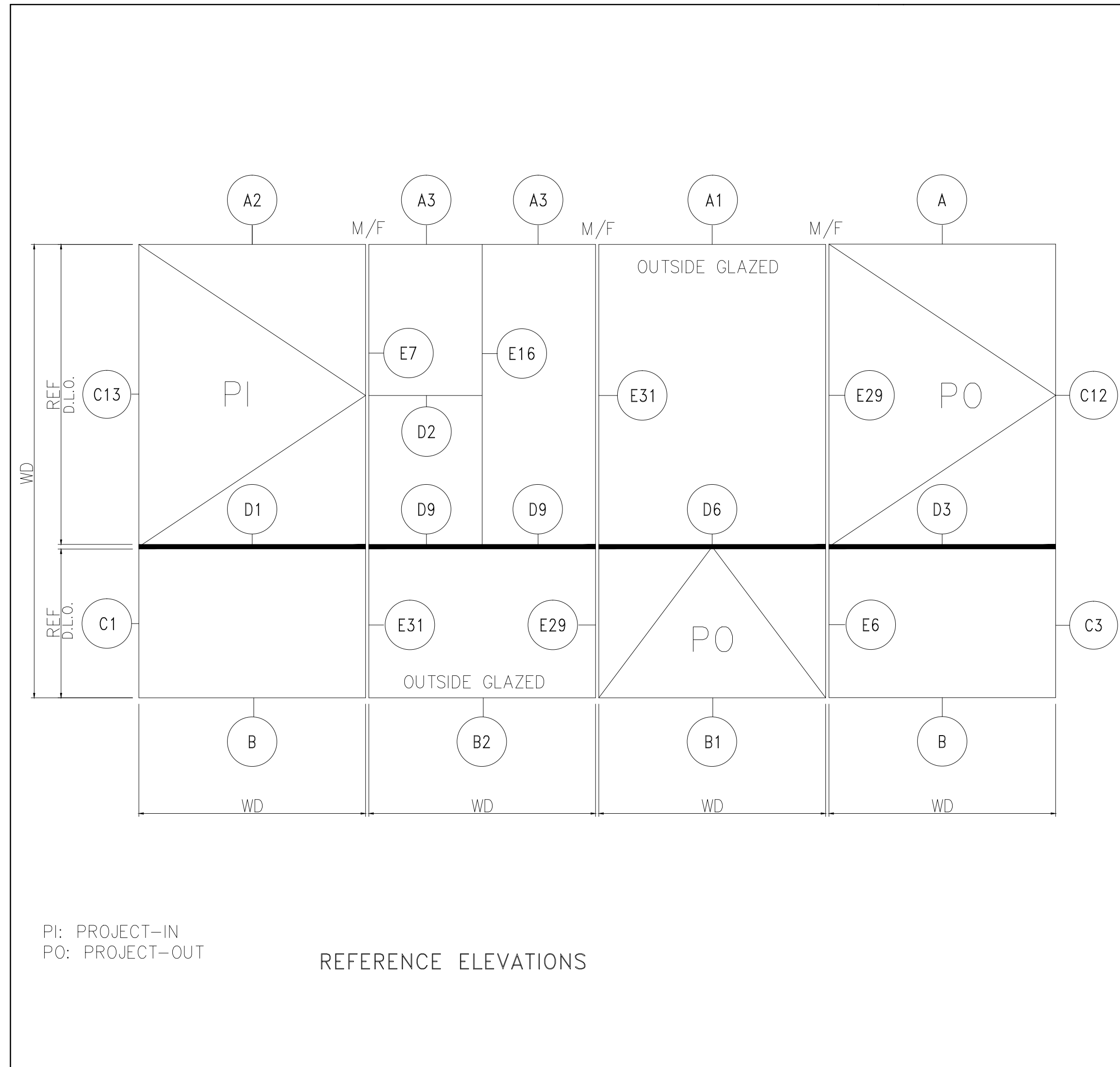
**ADVANTAGE**  
BY WAUSAU

SERIES:  
2250i IN.vent (2 1/2" DEEP)

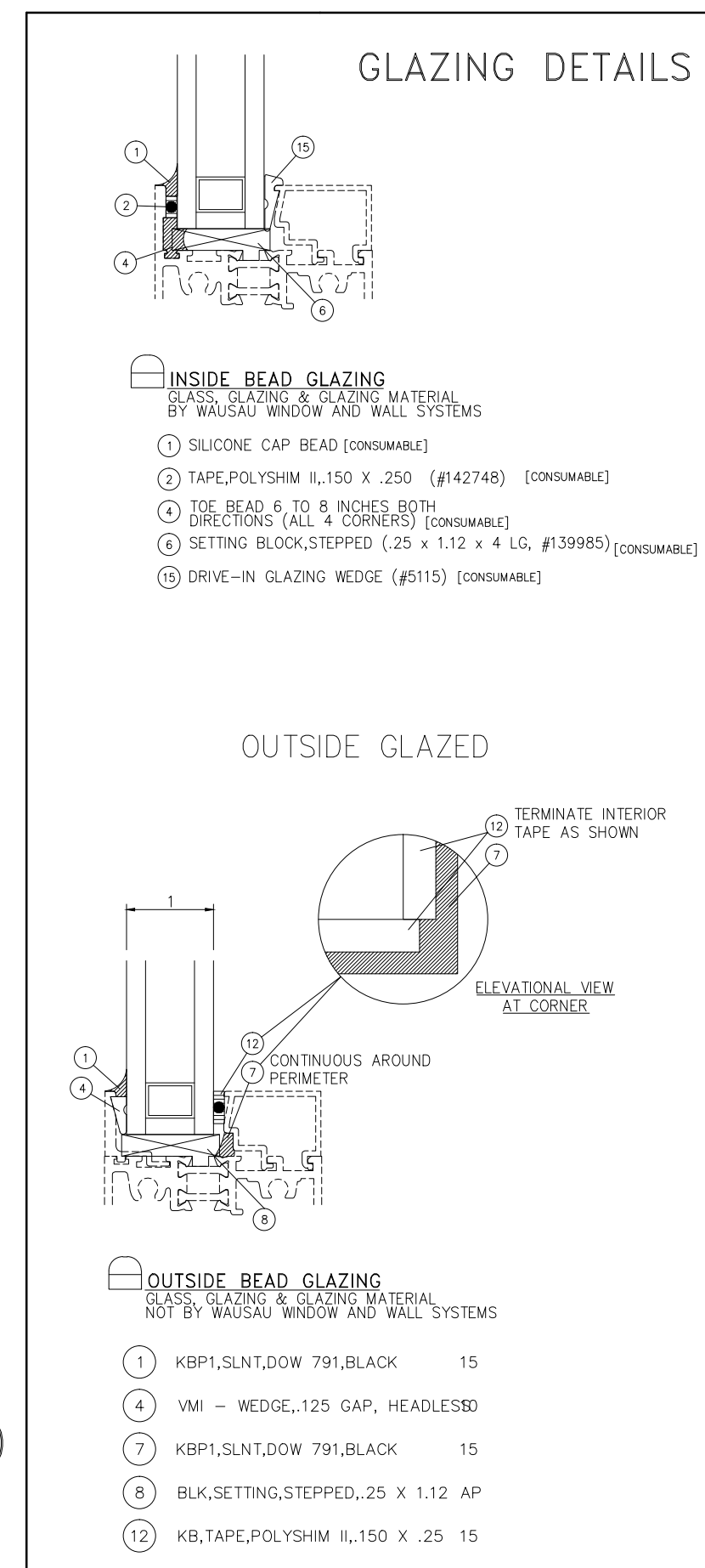
7800 International Drive  
P.O. Box 1746  
Wausau, WI. 54402-1746

Phone: (715) 845-2161  
Fax: (715) 843-4350  
www.wausauwindow.com

LAST UPDATED: 01/21/10



- NOTES:
- SIZE LIMITATIONS
    - A. OPERABLE LITES: MAXIMUM CASEMENT 36" w X 60" h.
    - B. OPERABLE LITES: MAXIMUM AWNINGS & HOPPERS 60" w X 36" h.
    - C. FIXED LITES: MAXIMUM 60" w X 84" h.
  - HARDWARE INFORMATION
    - A. S.S. 4-BAR HINGE, BUTT HINGE, CAMS, KEEPERS, CONCEALED LOCKS, ROTO'S, LIMIT STOPS.
    - B. 5/8" OR 1" BLINDS INSTALLED BY WAUSAU.
  - AIR & WATER INFILTRATION
    - A. .1 cfm/ft @ 6.24 psf (vents)
    - B. 0.06 cfm/sqft @ 6.24psf (fixed)
    - C. 12 psf
  - FRAME CONSTRUCTION
    - A. JAMBS RUN THROUGH.
  - SASH CONSTRUCTION
    - A. MITERED, CORNER BLOCKED, AND CRIMPED.
  - OPTIONAL: ACCESS DOORS AND SCREENS



**ADVANTAGE BY WAUSAU**

SERIES: 2250i IN.vent (2 1/2" DEEP)

7800 International Drive  
P.O. Box 1746  
Wausau, WI 54402-1746

Phone: (715) 845-2161  
Fax: (715) 843-4350  
www.wausauwindow.com

LAST UPDATED: 01/21/10

